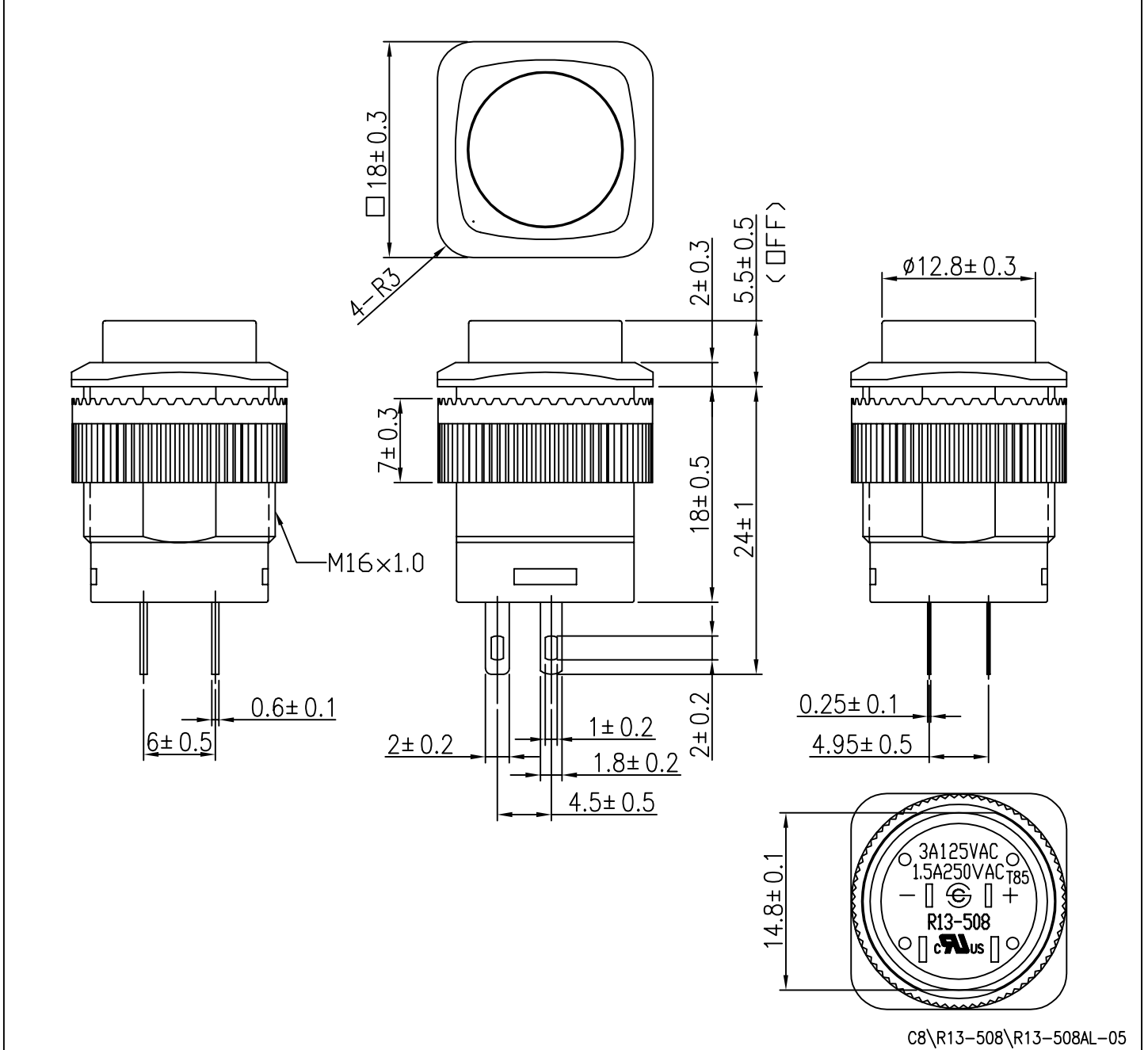


Rating	3A 12VDC, 1.5A 24VDC		Mount Hole	Circuit Structure
Contact R	50m ohm Max.			
Insulation R	DC 500V 100M ohm Min.			
Dielectric Strength	AC 1500V 1 minute			
Operation Temperature	-20°C~85°C			
Circuit	4P SPST OFF-(ON) (LED)			



										△	
										△	
Date		Name		Descriptions						NO	
Drawing		Check		Approval		SCI No.		Model Name		PUSH SWITCH	
曹盈芳				王佰山		Customer No.		Model No.		R13-508AL-05	
06/18/'04				06/18/'04		Unit		mm			