
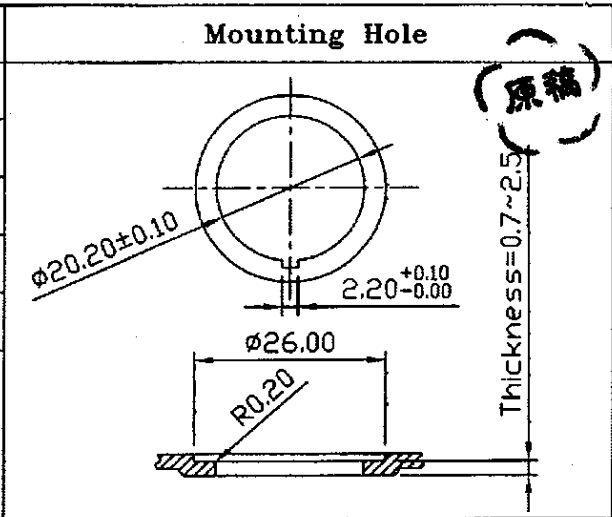
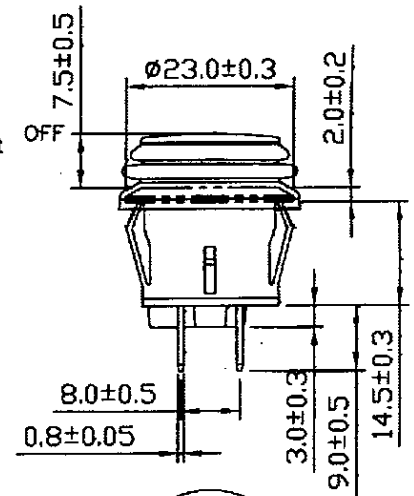
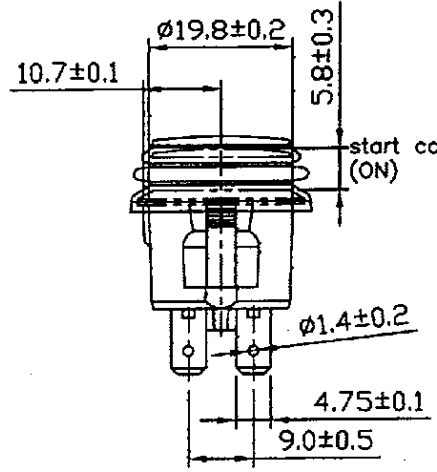
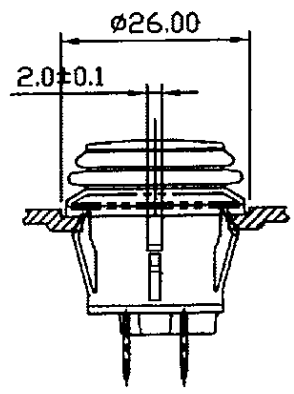
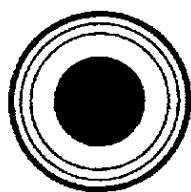
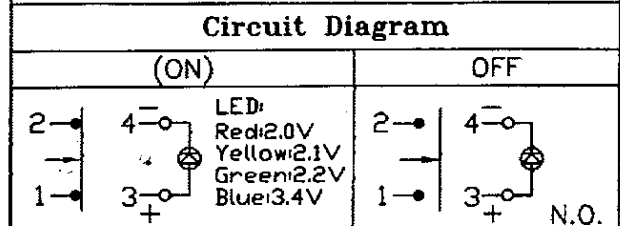


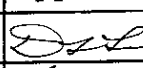
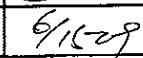
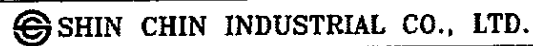
Rating	10A 125V, 6A 250V AC 1/2HP 125/250VAC 
Contact Resistance	50m ohm Max.
Insulation Resistance	DC 500V 100M ohm Min.
Dielectric Strength	AC 1500V 1 minute
Operation Temperature	-25°C ~ 85°C
Switch Function	4P SPST (ON)-OFF (LED independent)



*MATERIAL:
 Frame: Nylon 66 (94-V2)
 Actuator: Red clear PC (94-V2)
 Terminals: Silver plated, Copper alloy
 Waterproof Rubber: Black, Silicone
 Led: Red 2.0V
 Printed: None
 Label: 12V



Full travel: 4.5mm

								△	
								△	
								NO	
Date	Name	Descriptions							
Drawn	Checked	Approved	SCI No.	1830745	Model Name	PUSH SWITCH			
李日紅	李日紅		Customer No.		Model No.	R13-527C2L-02	REV.		
06/11/'09	06/12/09		Unit	mm					0