
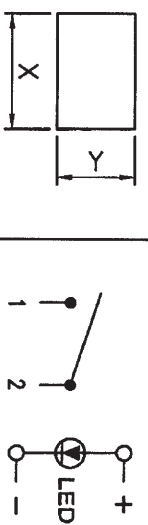
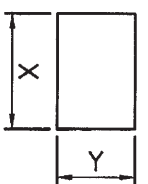
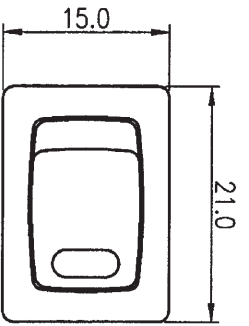
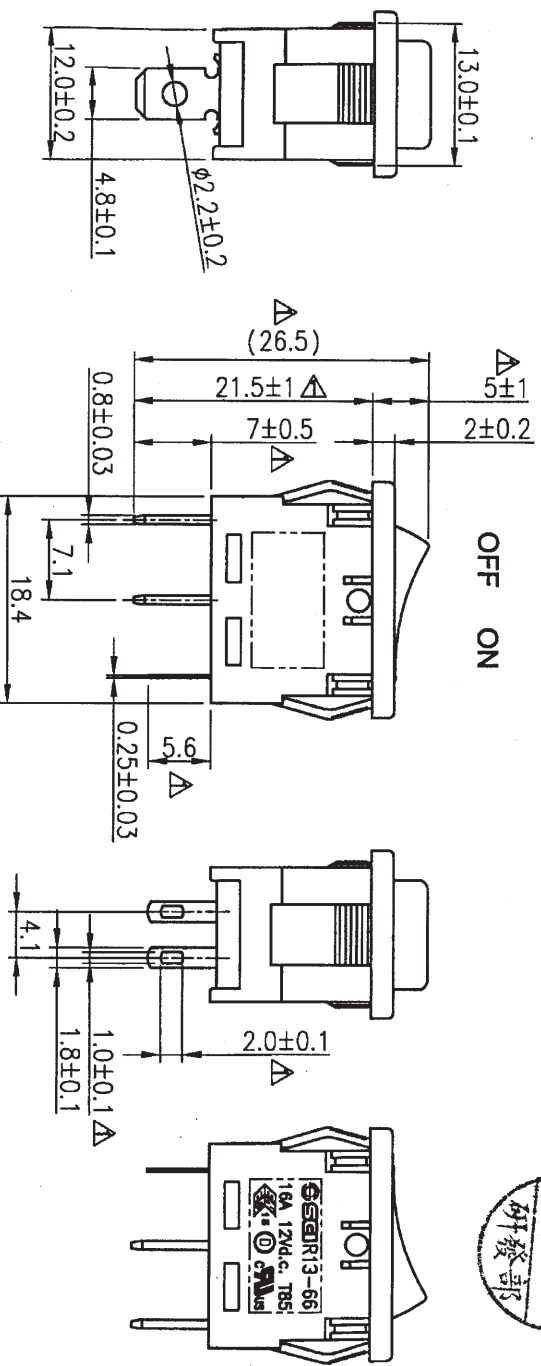


Rating	16A 12V DC		Mounting Hole	
Contact Resistance	50m ohm Max.			
Insulation Resistance	DC 500V 100M ohm Min.		LED Rating	Red:@20mA, If=2.0V/DC
Dielectric Strength	AC 1500V 1 minute			
Operation Temperature	-20° C~85° C			
Switch Function	4P SPST ON-OFF (LED Independent)			
			Thickness	
			0.75...1.25	X
			1.25...2	Y
			2...3	



Material:  
 Frame: Black, Nylon 66  
 Actuator: Black, Nylon 66  
 Lens: Clear, PC  
 Lamp: LED(red)



Tolerances Unless Otherwise Specified ±0.3mm

02/20/13	柳新強	1.0=>1.0±0.1, 2.0=>2.0±0.1, 刪除尺寸20.1±0.5, 增加尺寸5.6.	△
		修正尺寸: 19.7±1=>21.5±1, 5.2±1=>5±1, 7.2±0.5=>7±0.5, (24.9)>=>(26.5),	△

Date	Name	Description		No.
Drawn	Checked	Approved	SCI BOM No.	Model Name
柳新強	柳新強	柳新強	1821409	ROCKER SWITCH
02/20/13			Unit	mm
				Shin Chin Industrial Co., Ltd.
				Rev. 1