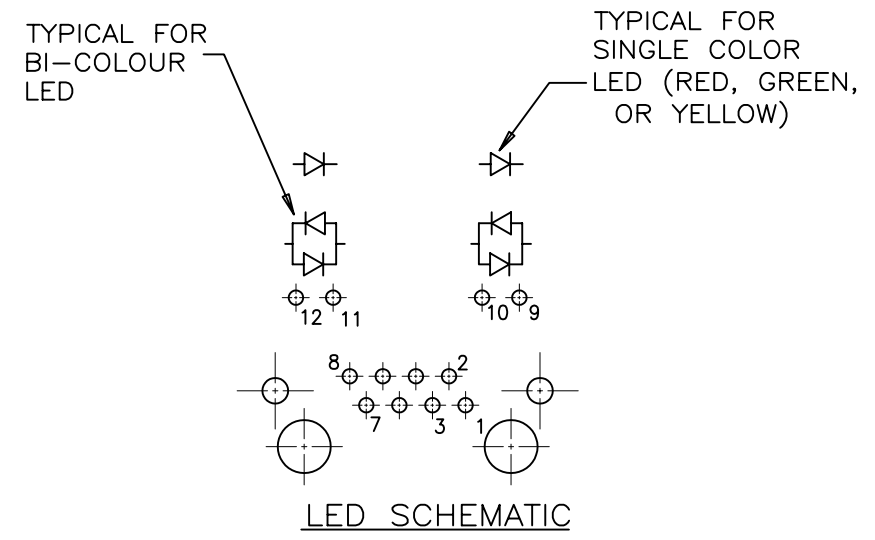
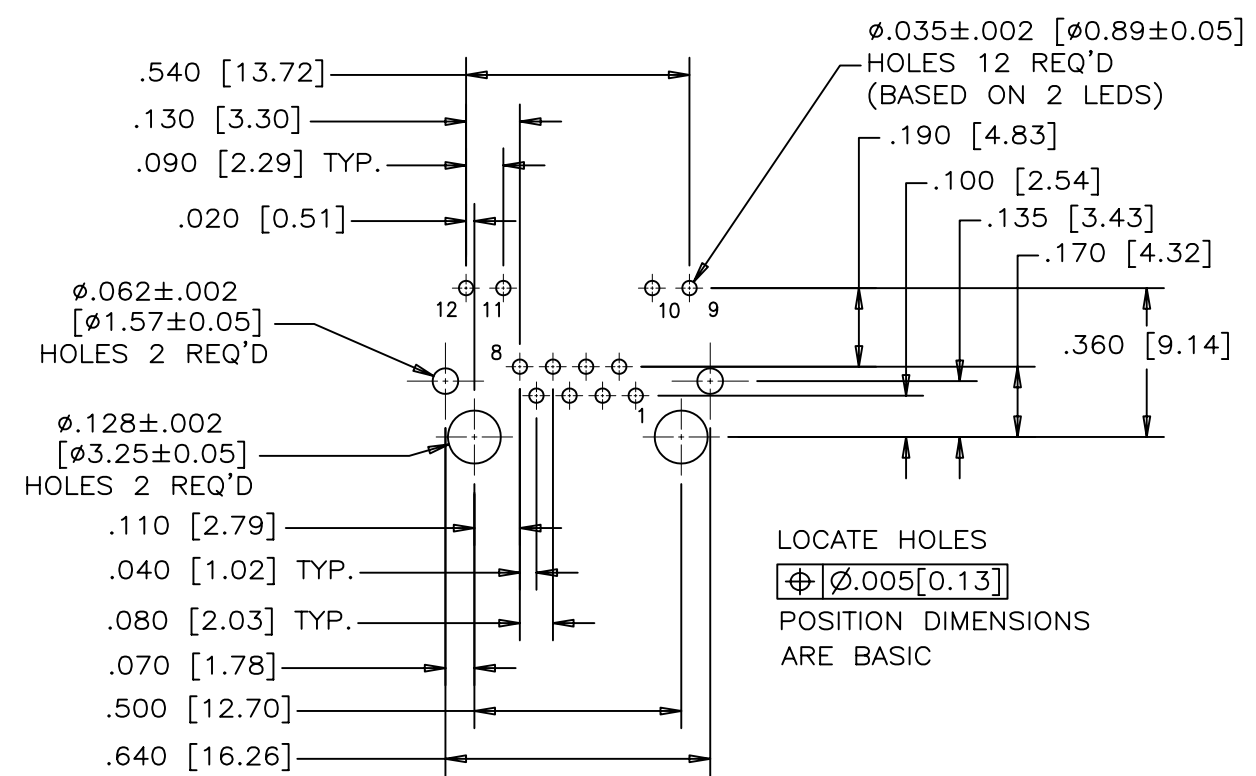
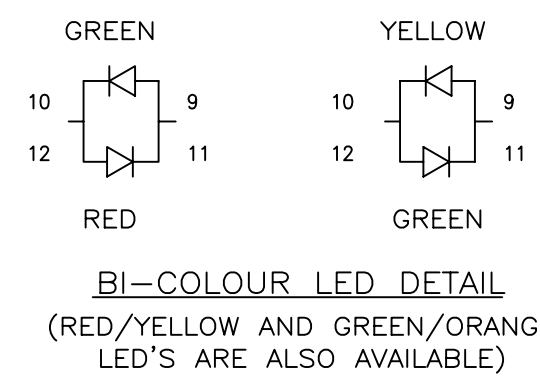
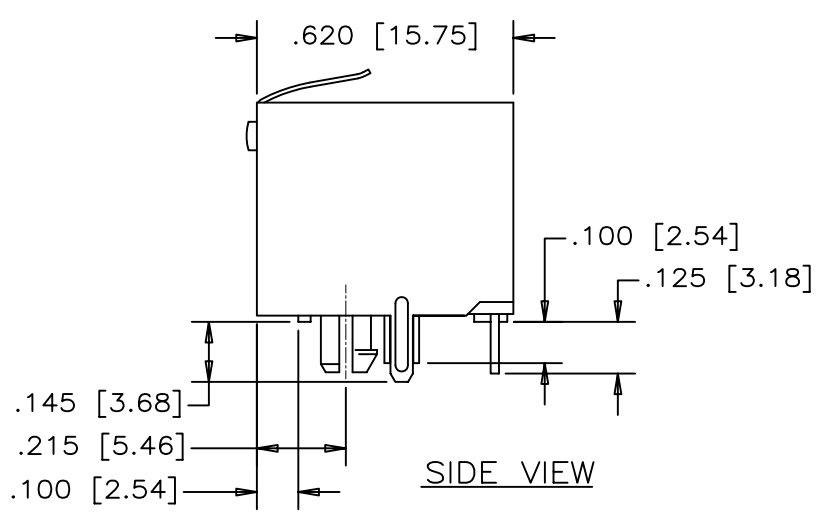
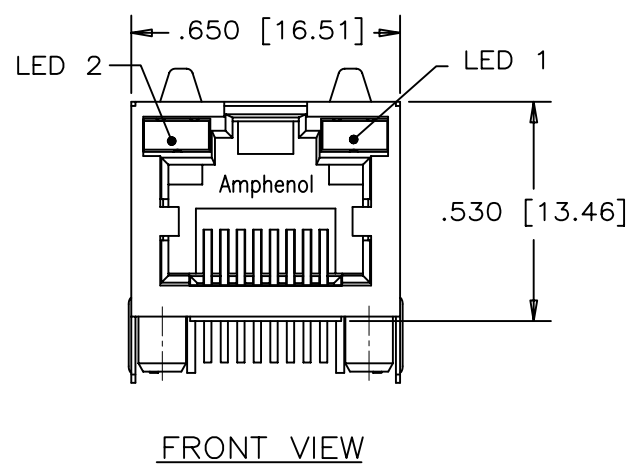


REVISIONS				
SYM	ZONE	ECN, ERN NO.	DATE	APPRD.
D		REVISED PROPOSAL	01/05/31	
E		REVISED PROPOSAL	05/06/28	L.CHAN



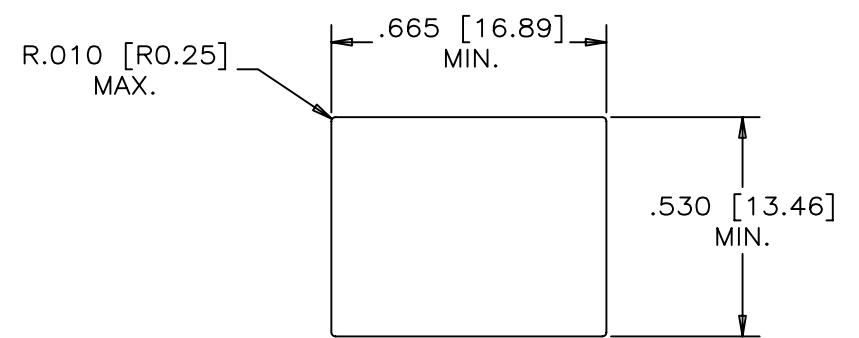
**MATERIALS:**  
 PLASTIC HOUSING: ENGINEERING THERMOPLASTIC  
 FLAMMABILITY RATING UL 94V-0

**CONTACTS:** PHOSPHOR BRONZE  
 PLATING: 50 μ" [1.27 MICRONS]  
 MIN. GOLD ON MATING SURFACES.  
 50 μ" [1.27 MICRONS]  
 MIN. NICKEL UNDERPLATE  
 100 μ" [2.54 MICRONS]  
 MIN. TIN/LEAD ON CONTACT TAILS.

**SHIELD:** COPPER ALLOY  
 PLATING: TIN-LEAD, OR, NICKEL WITH  
 TIN-LEAD DIPPED PCB TAIL.

**PART NUMBER:** RJHS-538X

REFER TO LED OPTIONS DRAWING FOR ORDERING CODES



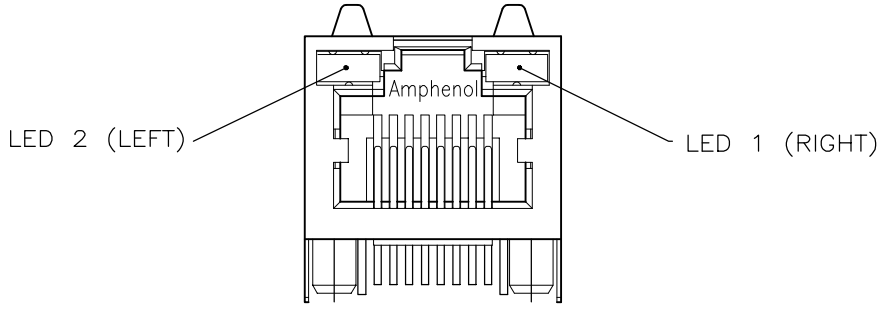
RECOMMENDED PANEL CUTOUT

THIS DOCUMENT CONTAINS PROPRIETARY INFORMATION AND SUCH INFORMATION MAY NOT BE DISCLOSED TO OTHERS FOR ANY PURPOSE OR USED FOR MANUFACTURING PURPOSES WITHOUT WRITTEN PERMISSION FROM AMPHENOL CANADA CORP.

DRAWN A.KARIR	DATE 99/11/10	<b>Amphenol Canada Corp.</b>		
DESIGNED				
CHECKED R.PIKE	99/11/11			
I. E. APPRD.				
Q. A. APPRD.		TITLE	HIGH SPEED, RJ45, MODULAR JACK, 8 POSITION, 8 CONTACTS, SHIELDED, WITH LEDs	
DWG. APPRD.		DWG	DRAWING NO.	REV. E
ENG. REL. NO. EAR 12778		P-RJHS-538X		
REF.		SCALE	WT. -----	SURF. -----
DIMENSIONS ARE IN INCHES [mm]	CODE ID. NO. 03554	SHEET 1 OF 1		

REVISIONS				
SYM	ZONE	ECN, ERN NO.	DATE	APPRD.
E		ADD LED OPTIONS	02/08/02	

THIS IS A CAD DRAWING. DO NOT MANUALLY REVISE.



**LED SPECIFICATIONS:**  
 FORWARD VOLTAGE: 2.1 VOLTS TYP.  
 REVERSE VOLTAGE: 5.0 VOLTS MIN.  
 LUMINOUS INTENSITY: 0.5 mCd MIN.  
 (AT If=2mA)  
 STORAGE TEMPERATURE: -20° TO 85° C  
 LEAD SOLDERING TEMPERATURE: 260° C  
 (5 SEC, 1/16" FROM CASE)  
 PLATING ON TAILS: TIN-LEAD (90-10) ALLOY

**EXAMPLE:**  
 PART NUMBER RJHS-538X

TYPICAL FOR SINGLE &  
 MULTI-PORT

+ — (ANODE) — — (CATHODE)

LED COLOR CODE

CODE	LED 2 (LEFT)	LED 1 (RIGHT)	CODE	LED 2 (LEFT)	LED 1 (RIGHT)	CODE	LED 2 (LEFT)	LED 1 (RIGHT)
0	BLOCKED	BLOCKED	9	GREEN	BLOCKED	J	BiC RD/GR	YELLOW
1	YELLOW	GREEN	A	BiC GR/YE	BiC GR/YE	K	YELLOW	BiC GR/OR
2	BLOCKED	GREEN	B	BiC RD/GR	BiC RD/GR	L	BiC GR/YE	RED
3	YELLOW	BLOCKED	C	BiC RD/GR	BiC GR/YE	M	RED	YELLOW
4	GREEN	YELLOW	D	GREEN	BiC GR/YE	N	BiC RD/GR	BiC GR/YE
5	GREEN	GREEN	E	YELLOW	BiC GR/YE	P	GREEN	BiC RD/GR
6	YELLOW	YELLOW	F	BiC GR/YE	YELLOW	R	BiC GR/OR	GREEN
7	RED	GREEN	G	BiC GR/OR	BiC GR/OR	T	RED	RED
8	GREEN	RED	H	BiC GR/YE	GREEN	V	BiC RD/GR	GREEN
			W	ADDITIONAL OPTIONS				

PRIMARY COLOR FOR BI-COLOR  
 LEDs IN STANDARD ANODE/  
 CATHODE CONFIGURATION IS:  
 RED-GREEN= RED  
 RED-YELLOW= RED  
 GREEN-YELLOW= GREEN  
 GREEN-ORANGE= GREEN

**LEGEND**  
 BiC=BI-COLOR LED  
 LOWC=LOW CURRENT LED  
 YE=YELLOW  
 GR=GREEN  
 RD=RED  
 OR=ORANGE

**EXAMPLE OF ADDITIONAL LED OPTIONS:**

PART NUMBER RJHS-538W-01Y

↑ ADDITIONAL LED COLOR CODE  
 ↑ DENOTES ADDITIONAL LED OPTIONS

CODE	LED 2 (LEFT)	LED 1 (RIGHT)	CODE	LED 2 (LEFT)	LED 1 (RIGHT)	CODE	LED 2 (LEFT)	LED 1 (RIGHT)
0	SEE STANDARD DESIGNATION		5	BLOCKED	YELLOW	A	LOWC YE	LOWC YE
1	RED	BLOCKED	6	RED	BiC RD/GR	B	LOWC YE	LOWC GR
2	BiC GR/OR	YELLOW	7	BLOCKED	BiC RD/GR	C	LOWC GR	LOWC YE
3	YELLOW	RED	8	BiC RD/GR	BLOCKED	D	LOWC GR	LOWC GR
4	BLOCKED	RED	9	BiC GR/YE	BLOCKED	M	LOWC RD	LOWC YE

**NOTE:**  
 THE TWO DIGITS PRECEDING THE  
 ADDITIONAL LED CODE MUST BE  
 USED IN THE PART NUMBER, WHEN  
 ORDERING ANY OF THE ADDITIONAL  
 LED OPTIONS.

THIS DOCUMENT CONTAINS PROPRIETARY INFORMATION AND SUCH INFORMATION  
 MAY NOT BE DISCLOSED TO OTHERS FOR ANY PURPOSE OR USED FOR MANUFACTURING  
 PURPOSES WITHOUT WRITTEN PERMISSION FROM AMPHENOL CANADA CORP.

DRAWN B. YOUNGSON	DATE 99/09/21
DESIGNED	
CHECKED A. KARIR	DATE 99/10/25
I. E. APPRD.	
Q. A. APPRD.	
DWG. APPRD.	
ENG. REL. NO.	
REF.	
DIMENSIONS ARE IN INCHES [mm]	CODE ID. NO. 03554

<b>Amphenol Canada Corp.</b>	
TITLE LED OPTIONS FOR RJHS, SINGLE OR MULTI-PORT CONNECTORS	
DWG	DRAWING NO. P-RJHS-LEDS
SCALE	WT. ----- SURF. ----- SHEET 1 of 1

REV. E