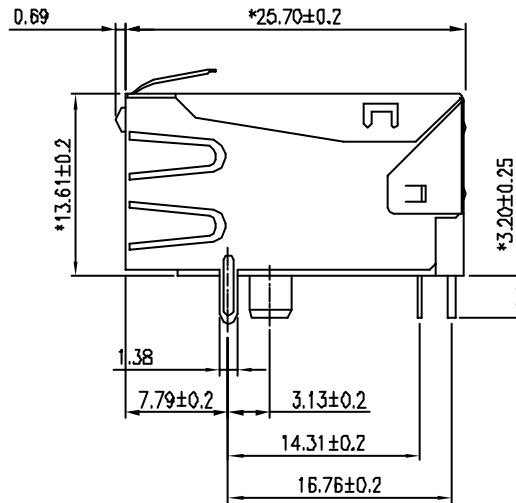
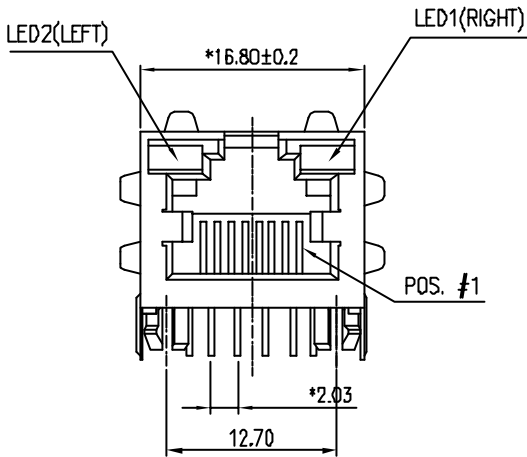
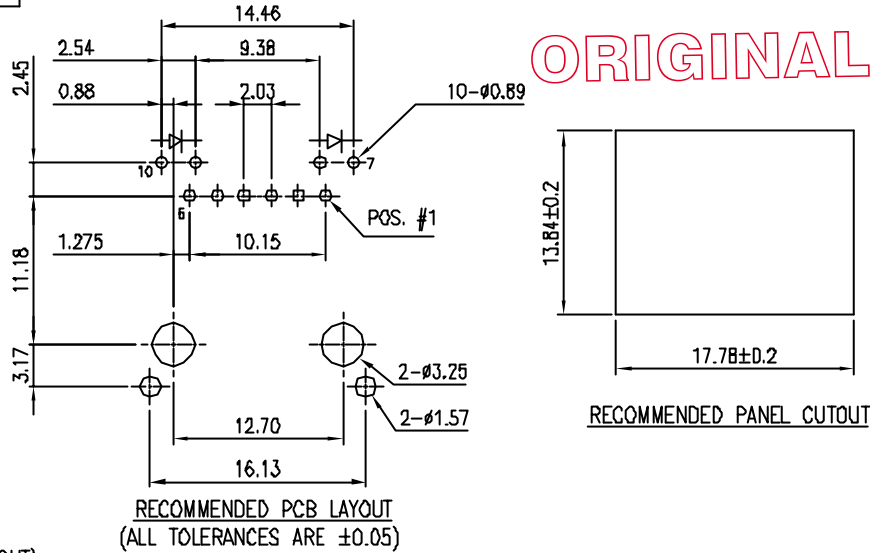
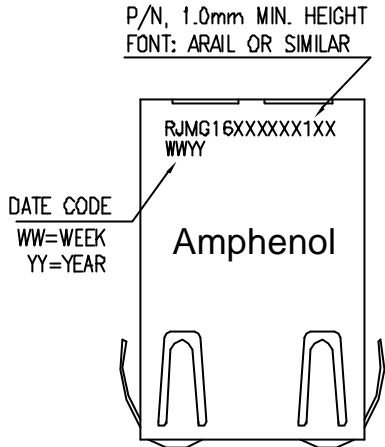


This document is the property of Amphenol Corporation and is delivered on the express condition that it is not to be disclosed, reproduced or used, in whole or in part, for manufacture or sale by anyone other than Amphenol Corporation without its prior consent, and that no right is granted to disclose or to use any information in this document.

CUSTOMER DRAWING

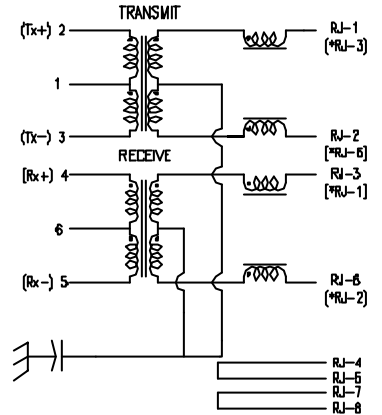
ORIGINAL

REVISIONS				
SYM	ECN No.	DESCRIPTION	DATE	APPROVED
B	NE-04665	MODIFIED ELECTRICAL SPECIFICATION	06/12/2004	Hakert Sammet
C	NE-04698	MODIFIED P/N SYSTEM	08/28/2004	John De Jang
D	NE-04803	ADDED LED SPEC DETAILS	10/25/2004	John De Jang
E	04-EDN-219-05	ADD ROHS TYPE	May/16/05	Joseph Hsu



PINOUT

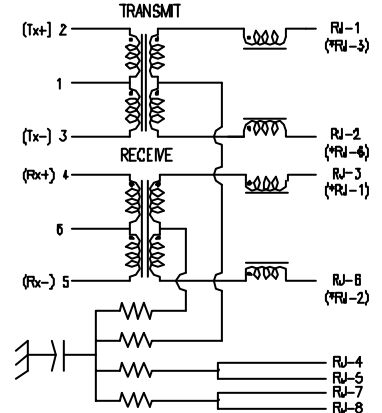
PIN	SYMBOL
1	Tct
2	Tx+
3	Tx-
4	Rx+
5	Rx-
6	Rct
7	LED1-
8	LED1+
9	LED2-
10	LED2+



SCHEMATIC (RJMG16XXXXXX1XX)

PINOUT

PIN	SYMBOL
1	Tct
2	Tx+
3	Tx-
4	Rx+
5	Rx-
6	Rct
7	LED1-
8	LED1+
9	LED2-
10	LED2+



SCHEMATIC (RJMG16XXXXXX1XX)



TOLERANCE	m/m	APPROVALS	DATE	TITLE
x.	±0.30	DRAWN	May/16/05	SINGLE PORT RJmag CONNECTOR SHIELD, WITH R&C TERMINATION 10/100
x.x	±0.25	Aray Zhang	May/16/05	
x.xx	±0.15	CHECKED	May/16/05	
x.xxx	±0.08	Kevin Xie	May/16/05	
ANGULAR	±2'	APPROVED	May/16/05	
UNLESS OTHERWISE SPECIFIED		Joseph Hsu		

UNIT	MM	SIZE	A4	PART NO.	RJMG16XXXXXX1XX	DRAWING NO.	RJMG16XXXXXX1XX
------	----	------	----	----------	-----------------	-------------	-----------------

Amphenol®
Amphenol Corporation

SCALE N.A. SHEET 1 OF 4

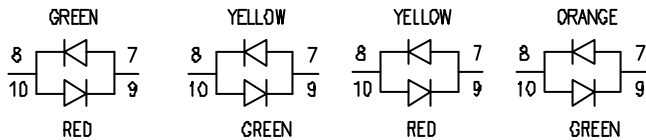
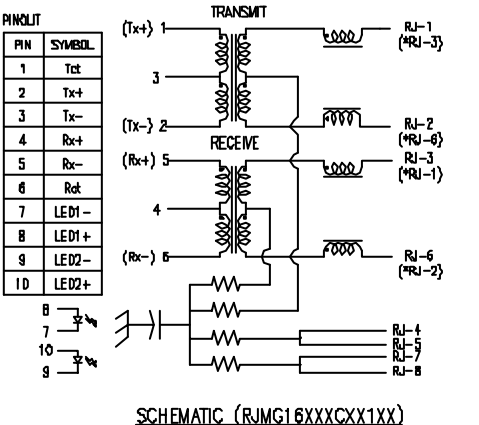
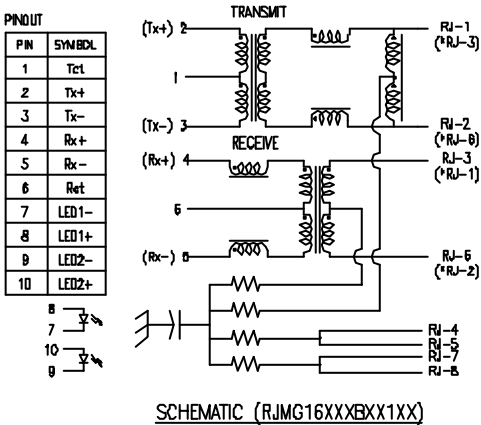
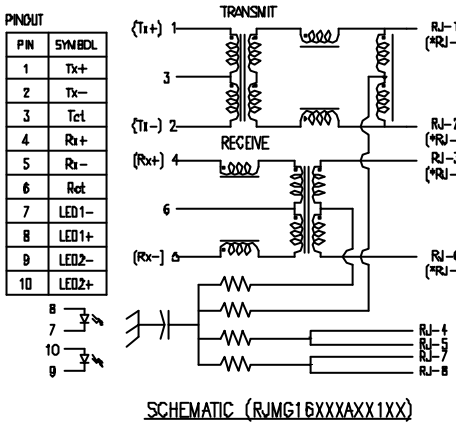
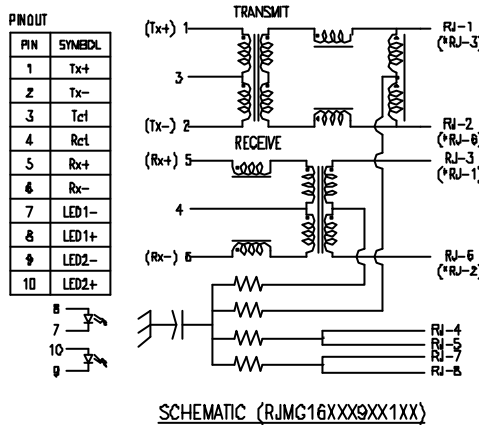
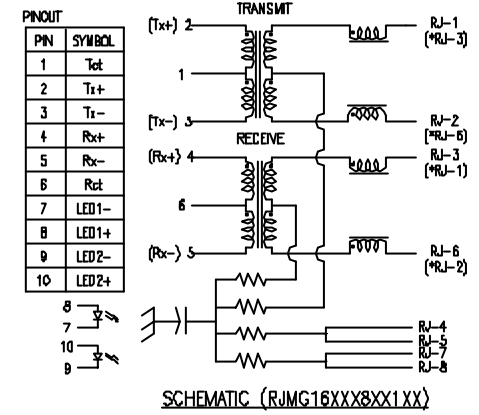
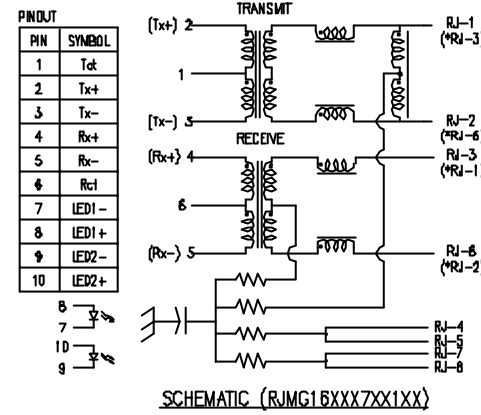
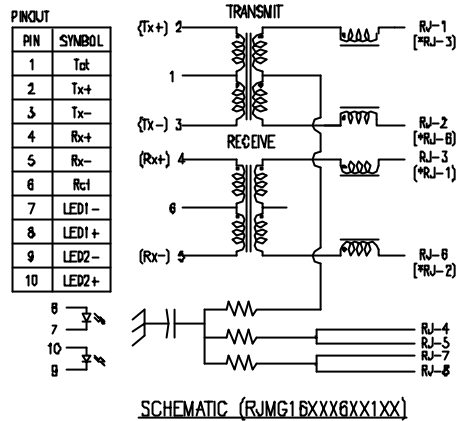
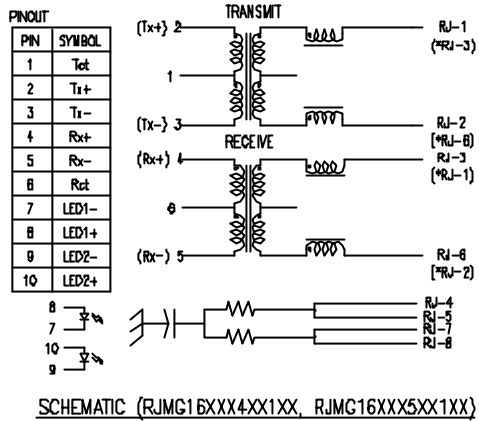
REV. E

This document is the property of Amphenol Corporation and is delivered on the express condition that it is not to be disclosed, reproduced or used, in whole or in part, for manufacture or sale by anyone other than Amphenol Corporation without its prior consent, and that no right is granted to disclose or to use any information in this document.

CUSTOMER DRAWING

ORIGINAL

REVISIONS				
SYM	ECN No.	DESCRIPTION	DATE	APPROVED
B	NE-04885	MODIFIED ELECTRICAL SPECIFICATION	08/12/2004	Hilbert Samadoket
C	NE-04888	MODIFIED P/N SYSTEM	08/26/2004	John De Jong
D	NE-04803	ADDED LED SPEC DETAILS	10/28/2004	John De Jong
E	GR-EGW-213-09	ADD ROHS TYPE	May/16/05	Joseph Hsu



BI-COLOR LED DETAIL



APPROVALS	DATE	TITLE	 Amphenol Corporation
DRAWN			
CHECKED			
APPROVED			
Aray Zhang	May/16/05	SINGLE PORT R/mag CONNECTOR SHIELD, WITH R&C TERMINATION	SCALE N.A. SHEET 2 OF 4
Kevin Xie	May/16/05	10/100	
Joseph Hsu	May/16/05		DRAWING NO. RJMG16XXXXXX1XX
UNIT	MM	SIZE	A4
		PART NO.	RJMG16XXXXXX1XX
		REV.	E

This document is the property of Amphenol Corporation and is delivered on the express condition that it is not to be disclosed, reproduced or used, in whole or in part, for manufacture or sale by anyone other than Amphenol Corporation without its prior consent, and that no right is granted to disclose or to use any information in this document.

CUSTOMER DRAWING

ORIGINAL

REVISIONS				
SYM	ECN No.	DESCRIPTION	DATE	APPROVED
B	NE-04665	MODIFIED ELECTRICAL SPECIFICATION	08/12/2004	Hubert Samwaldt
C	NE-04698	MODIFIED P/N SYSTEM	08/26/2004	John De Jong
D	NE-04803	ADDED LED SPEC DETAILS	10/26/2004	John De Jong
E	0-ECN-216-45	ADD ROHS TYPE	May/18/05	Joseph Hsu

TURN RATIO 1:1±5% 1.25:1±5% ROOT2:1±5% 2:1±5%

PARAMETER	TYPE	LIMITS (MAX. OR MIN.)	FREQUENCY RANGE/ TEST CONDITIONS
INSERTION LOSS (RX/TX)	-0.8dB TYP.	-1.0dB MAX.	1-100 MHz
RETURN LOSS (RX/TX)	-22dB TYP. -18dB TYP. -12dB TYP.	-18dB MIN. -18+20log(f/30)dB MIN. -12dB MIN.	1-30 MHz 30-60 MHz 60-80 MHz
DC RESISTANCE	0.5 ohm MIN.	1.0 ohm MAX full 0.5 ohm MAX half	DC
CM-CM REJECTION	-40dB TYP.	-30dB MIN.	0-100MHz
CM-DM REJECTION	-40dB TYP.	-35dB MIN.	0-100MHz
CROSSTALK (PAIR TO PAIR)	-38dB TYP.	-35dB MIN.	0-100MHz
HIPOT (ISOLATION)	2.25KV/1.5KVrms.	2.25KV/1.5KVrms.	60S DC/AC
OCL	500uH TYP.	350uH MIN.	100KHz 8mV DC BIAS

TURN RATIO 1:ROOT2±5% 1:2±5% 1:2.5±5%

PARAMETER	TYPE	LIMITS (MAX. OR MIN.)	FREQUENCY RANGE/ TEST CONDITIONS
INSERTION LOSS (RX/TX)	-0.8dB TYP.	-1.0dB MAX.	1-10 MHz
RETURN LOSS (RX/TX)	-20dB TYP.	-16dB MIN.	1-10 MHz
DC RESISTANCE	0.5 ohm MIN.	1.0 ohm MAX full 0.5 ohm MAX half	DC
CM-CM REJECTION	-40dB TYP.	-30dB MIN.	0-100MHz
CM-DM REJECTION	-40dB TYP.	-35dB MIN.	0-100MHz
CROSSTALK (PAIR TO PAIR)	-38dB TYP.	-35dB MIN.	0-100MHz
HIPOT (ISOLATION)	2.25KV/1.5KVrms.	2.25KV/1.5KVrms.	60S DC/AC
OCL RECEIVE	500uH TYP.	350uH MIN.	100KHz 8mV DC BIAS
OCL TRANSMIT	75uH TYP.	50uH MIN.	100KHz 8mV DC BIAS

LED PERFORMANCE:

PARAMETER	SINGLE COLOUR		BICOLOUR		UNITS
	GREEN	YELLOW	GREEN	ORANGE	
FORWARD CURRENT IF MAX	30	30	30		mA
REVERSE CURRENT IR MAX	10	10	10		uA
REVERSE VOLTAGE VR MAX	-5	-5	-5		V
T OPERATURE TOP	-40~+85	-40~+85	-40~+85		°C
T SOLDERING TURE TS	260+/-5	260+/-5	260+/-5		°C
POWER DISS. Pd	100	100	100		mW
INTENSITY Iv	80	40	20	25	MCD
PEAK WAVELENGTH	565	585	565	605	nm
FORWARD VOLTAGE TYP	2.5	2.1	2.2	2.0	V
FORWARD VOLTAGE MAX	2.9	2.6	2.6	2.6	V



NOTES:

- DESIGNATORS 1 TO 10 ARE PRINTED WIRE BOARD CONNECTIONS.
- DIFFERENT CAPACITOR VALUES ARE AVAILABLE UPON REQUEST.
- NUMBERS WITH MARK "*" SHOW THE CONNECTION FOR RJMG16XXXXX1XX

APPROVALS	DATE	TITLE	Amphenol® Amphenol Corporation	
DRAWN Aray Zhang	May/16/05	SINGLE PORT RImag CONNECTOR SHIELD, WITH R&C TERMINATION 10/100	SCALE	N.A.
CHECKED Kevin Xie	May/16/05		SHEET	3 OF 4
APPROVED Joseph Hsu	May/16/05		DRAWING NO.	RJMG16XXXXX1XX
UNIT MM		SIZE A4	PART NO. RJMG16XXXXX1XX	REV. E

This document is the property of Amphenol Corporation and is delivered on the express condition that it is not to be disclosed, reproduced or used, in whole or in part, for manufacture or sale by anyone other than Amphenol Corporation without its prior consent, and that no right is granted to disclose or to use any information in this document.

CUSTOMER DRAWING

ORIGINAL

REVISIONS				
SYM	ECN No.	DESCRIPTION	DATE	APPROVED
B	NE-04885	MODIFIED ELECTRICAL SPECIFICATION	08/12/2004	Hubert Sammel
C	NE-04898	MODIFIED P/N SYSTEM	08/26/2004	John De Jong
D	NE-04803	ADDED LED SPEC DETAILS	10/28/2004	John De Jong
E	04-620-216-05	ADD ROHS TYPE	May/16/05	Joseph Hsu

RJMG1-6 X X X - X X -X 1 X X

MATERIALS:

INSULATOR: THERMOPLASTIC POLYESTER,
COLOR: BLACK
FLAMMABILITY RATING UL 94V-0

CONTACTS (RJMG): PHOSPHOR BRONZE
PLATING: SELECTIVE GOLD OVER MATING SURFACES.
100 MICRONS TIN/LEAD ALLOY ON TAILS.

SHIELD: COPPER ALLOY T=0.2MM,TIN/LEAD 100u" MIN OR
NICKEL 50u"MIN OR STAINLESS STEEL.

DIMENSIONS MARKED WITH "*" SHALL BE MEASURED.

MECHANICAL FEATURES:

SOLDERABILITY: MIL-STD-202,METHOD 208.

MATING/UNMATING FORCE:

RJ PORT

MATING/UNMATING 2.1Kg MAX

RETENTION FORCE FOR RJ PORT: 5Kg FOR 1 MINUTE

PACKAGING: 50PCS/PLASTIC TRAY,6 TRAYS/CARTON

MEET FCC PART 68.500 REQUIREMENTS.

Environmental

OPERATING TEMPERATURE:0°C TO +70°C.

STORAGE TEMPERATURE:-40°C TO +105°C.

SOLDERING TEMPERATURE: 220°C FOR 10 SECONDS

ALTITUDE OPERATING RANGE: SEA LEVEL TO 3000m

Humidity: per MIL-STD-1344A,method 1002.1, test condition B

Thermal Shock: per MIL-STD-1344A,method 1003.1, test condition A

Vibration: per MIL-STD-1344A,method 2005.1, test condition J

Mechanical Shock: per MIL-STD-1344A,method 2004.1, test condition C

Salt Spray: 24 hours per MIL-STD-1344A,method 1001.1, test condition B

SHIELD OPTIONS
3: STANDARD SHIELD WITH SIDE TABS
4: OPTIONAL SHIELD W/O SIDE TABS

LED1 (RIGHT SIDE)

- 0: NO LED (BLOCKER)
- 1: GREEN
- 2: YELLOW
- 3: RED
- 4: GREEN/YELLOW
- 5: RED/GREEN
- 6: GREEN/ORANGE
- 7: RED/YELLOW

LED2 (LEFT SIDE)
SEE LED1

TERMINATION OPTIONS

- 2: WITHOUT RESISTORS, 1000pf (2KV)
- 3: 4x75 OHM RESISTORS, 68pf (2KV)
- 4: 2x0 OHM RESISTORS, 68pf (2KV)
- 5: 2x75 OHM RESISTORS, 68pf (2KV)
- 6: 3x75 OHM RESISTORS, 68pf (2KV)
- 7: 4x75 OHM RESISTORS, 1000pf (2KV)
TRANSMIT SHUNT CHOKE
- 8: 4x75 OHM RESISTORS, 1000pf (2KV)
TRANSMIT SHUNT CHOKE
- 9: 4x75 OHM RESISTORS, 1000pf (2KV)
TRANSMIT SHUNT CHOKE
- A: 4x75 OHM RESISTORS, 1000pf (2KV) SPECIAL
- B: 4x75 OHM RESISTORS, 1000pf (2KV) SPECIAL
- C: 4x75 OHM RESISTORS, 1000pf (2KV) SPECIAL

NOTE: TERMINATION OPTIONS "7", "9", "A", "B" AND
"C" ONLY AVAILABLE FOR 1:1 TURN RATIO.

- A: A electrical specifications
- L: Lead-Cadmium Free Compliant; A electrical specifications
- R: RoHS Compliant; A electrical specifications

Plating Thickness in mating contacts or Special features

Code Description

- D: Gold Flash, Copper Alloy Shield with Sn/Pb 100u inch min Tray
- 1: Gold 15u in, Copper Alloy Shield with Sn/Pb 100u inch min Tray
- 2: Gold 30u in, Copper Alloy Shield with Sn/Pb 100u inch min Tray
- 3: Gold 50u in, Copper Alloy Shield with Sn/Pb 100u inch min Tray
- 4: Gold Flash, Copper Alloy Shield with Sn/Pb 100u inch min Tap&Reel
- 5: Gold 15u in, Copper Alloy Shield with Sn/Pb 100u inch min Tap&Reel
- 6: Gold 30u in, Copper Alloy Shield with Sn/Pb 100u inch min Tap&Reel
- 7: Gold 50u in, Copper Alloy Shield with Sn/Pb 100u inch min Tap&Reel
- 8: Save for other options
- 9: Save for other options
- A: Save for other options
- B: Save for other options
- C: Gold Flash, Stainless steel Shield, Tray
- D: Gold 15u in, Stainless steel Shield, Tray
- E: Gold 30u in, Stainless steel Shield, Tray
- F: Gold 50u in, Stainless steel Shield, Tray
- G: Save for other options
- H: Save for other options
- I: Save for other options
- J: Save for other options
- K: Save for other options
- L: Gold Flash, Copper Alloy Shield with Nickel 50u inch min Tray
- M: Gold 15u in, Copper Alloy Shield with Nickel 50u inch min Tray
- N: Gold 30u in, Copper Alloy Shield with Nickel 50u inch min Tray
- P: Gold 50u in, Copper Alloy Shield with Nickel 50u inch min Tray

TIA WIRING

- 0: STANDARD
- A: CROSS-OVER

URNS RATIO (TRANSMIT)

- 1: 1:1
- 2: 1.25:1
- 3: 1.5:1
- 4: 2:1
- 5: 1:√2 10 BASE T ONLY
- 6: 1:2
- 7: 1:√2 SPECIAL 10/100 BASE T
- 8: 1:√2 10/100 BASE T
- 9: 1:√2 10 BASE T LOW INDUCTANCE
- L: 1:2.5 10 BASE T ONLY



APPROVALS	DATE	TITLE	Amphenol® Amphenol Corporation	
DRAWN Aray Zhang	May/16/05	SINGLE PORT RJMG CONNECTOR SHIELD, WITH R&C TERMINATION 10/100	SCALE	N.A.
CHECKED Kevin Xie	May/16/05		SHEET	4 OF 4
APPROVED Joseph Hsu	May/16/05			
	UNIT MM	SIZE A4	PART NO. RJMG16XXXXXX1XX	DRAWING NO. RJMG16XXXXXX1XX
				REV. E