



Rotary Potentiometer > RK09L Series > RK09L112003P

9mm Size Metal Shaft Snap-in Type RK09L Series

[Dimensions](#) |
 [Mounting Hole Dimensions](#) |
 [Dimensions of Bushing and Fixing Lug](#) |
 [Attached Parts](#) |
 [Packing Specifications](#) |
 [Soldering Conditions](#)



Part number
RK09L112003P

NET SHOP

3D CAD

RoHS

Print

Inquiry

Number of resistor elements	Single-unit
Mounting direction	Horizontal type
Fixing method of bushing	Screw
Shaft types	Flat
Length of the shaft	15mm
Center detent	With
Total resistance	20k Ω
Resistance taper	1B
Operating temperature range	-10°C to +70°C

This website uses cookies

We use cookies to personalize content and ads, to provide social media features and to analyze the number of ads display and click. We also collect and share information about your use of our site with our social media, advertising and analytics partners who may combine it with other information that you've provided to them or that they've collected from your use of their services. If you agree to the use of cookies, please click "Allow all cookies" or check the checkbox of the cookie item you agree with, and then click "Allow selection". If you do not agree, leave only the "Necessary" items checked and click "Allow selection".

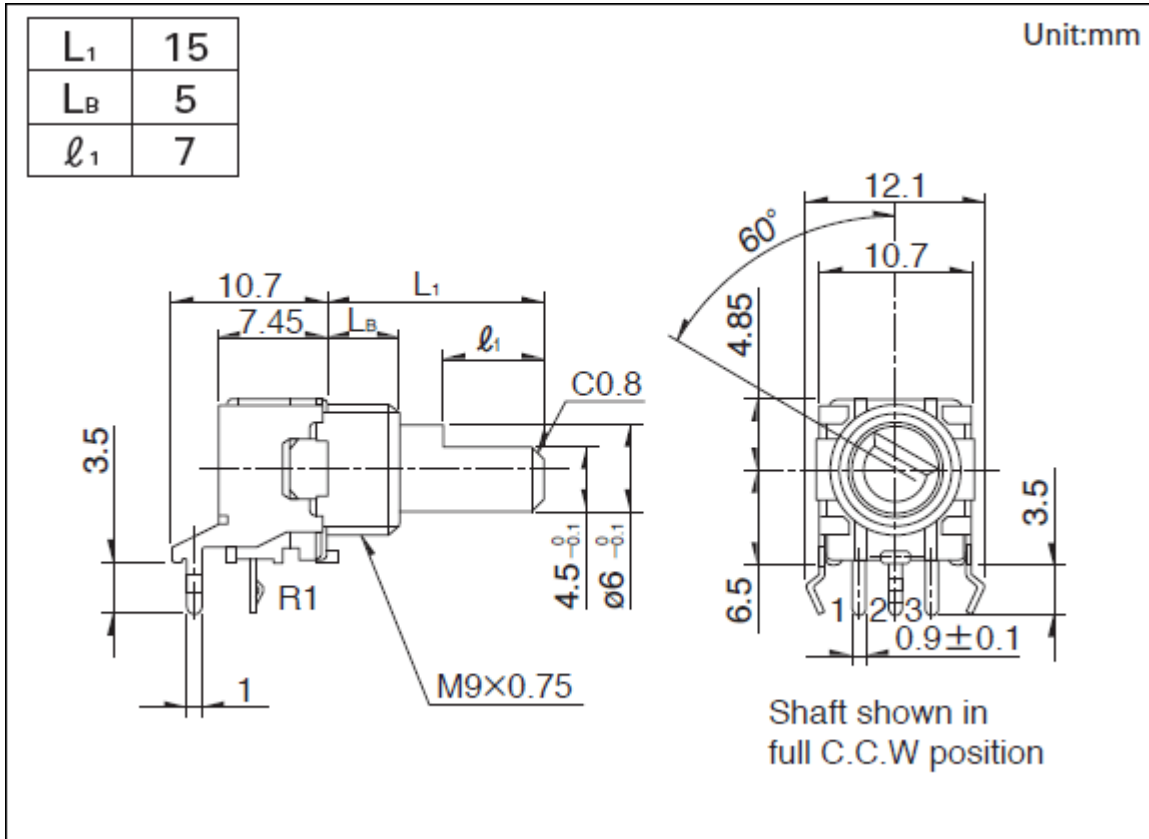
Allow selection
Allow all cookies

Necessary	Preferences	Statistics	Marketing	Show details
-----------	-------------	------------	-----------	--------------

Mechanical Performance	Total rotational angle	300° ±5°
	Rotational torque	2 to 25mN·m
	Stopper strength	0.5N·m

	Push-pull strength	80N max.
	Vibration	10 to 55 to 10Hz/min., the amplitude is 1.5mm for all the frequencies, in the 3 direction of X, Y and Z and for 2 hours respectively
Durability	Operating life	15,000 cycles
Minimum order unit (pcs.)	Japan	1,000
	Export	2,000

Dimensions



Mounting Hole Dimensions



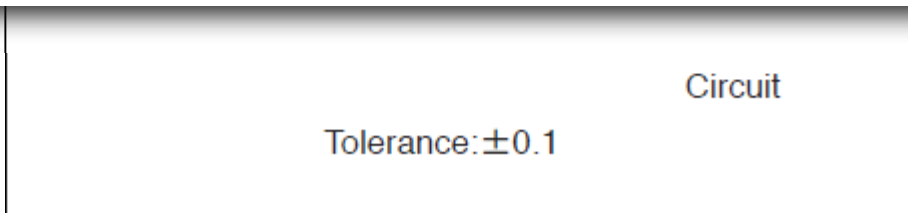
This website uses cookies

We use cookies to personalize content and ads, to provide social media features and to analyze the number of ads display and click. We also collect and share information about your use of our site with our social media, advertising and analytics partners who may combine it with other information that you've provided to them or that they've collected from your use of their services. If you agree to the use of cookies, please click "Allow all cookies" or check the checkbox of the cookie item you agree with, and then click "Allow selection". If you do not agree, leave only the "Necessary" items checked and click "Allow selection".

Allow selection

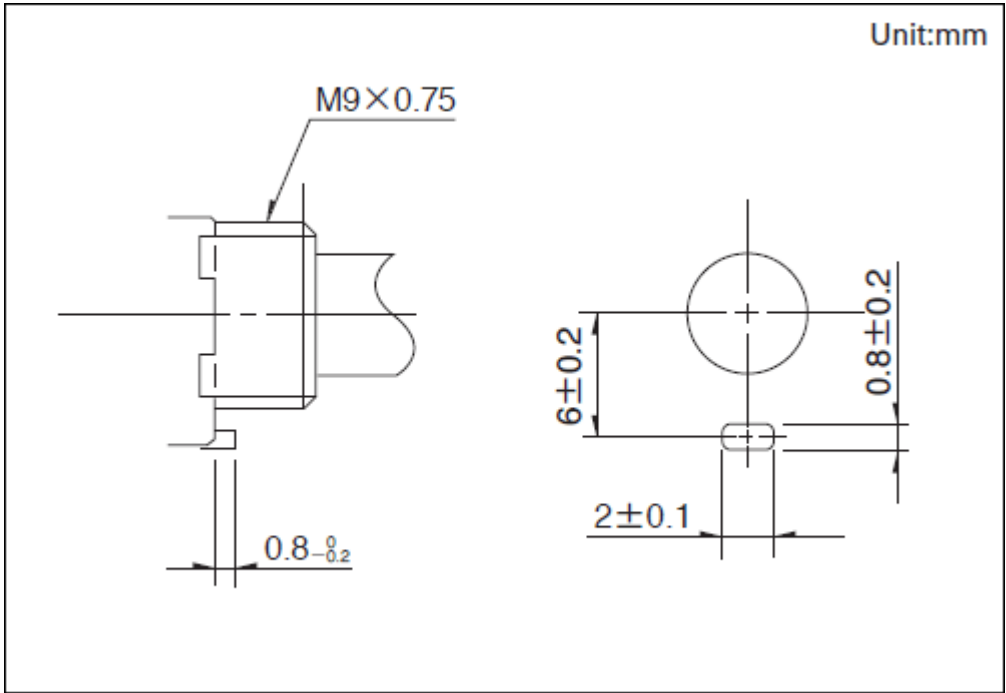
Allow all cookies

Necessary	Preferences	Statistics	Marketing	Show details
-----------	-------------	------------	-----------	--------------



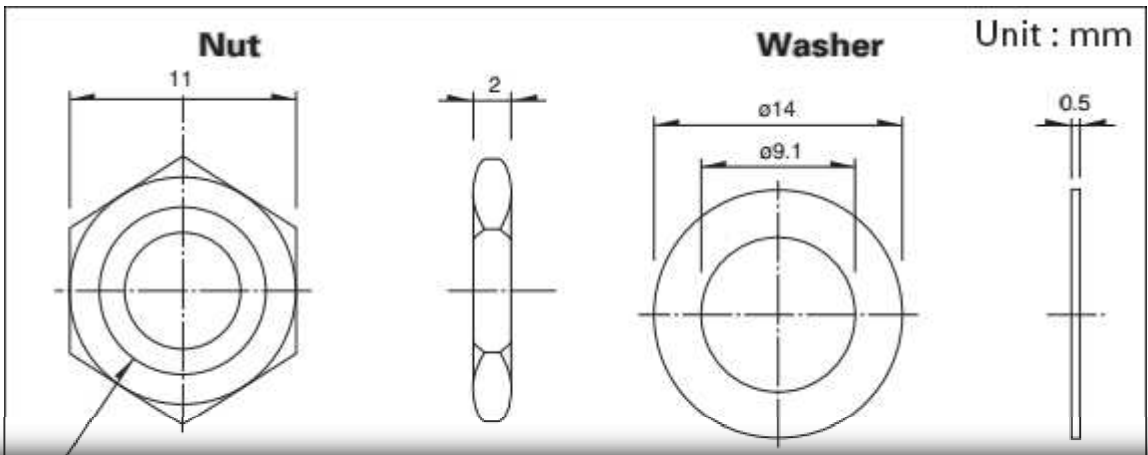
Viewed from mounting side.

Dimensions of Bushing and Fixing Lug



These parts are attached to the following products.

Attached Parts



This website uses cookies

We use cookies to personalize content and ads, to provide social media features and to analyze the number of ads display and click. We also collect and share information about your use of our site with our social media, advertising and analytics partners who may combine it with other information that you've provided to them or that they've collected from your use of their services. If you agree to the use of cookies, please click "Allow all cookies" or check the checkbox of the cookie item you agree with, and then click "Allow selection". If you do not agree, leave only the "Necessary" items checked and click "Allow selection".

[Allow selection](#) [Allow all cookies](#)

Necessary Preferences Statistics Marketing [Show details](#)

Soldering Conditions

Reference for Dip Soldering

Preheating	Soldering surface temperature	100°C max.
	Heating time	2 min. max.
Dip soldering	Soldering temperature	260±5°C max.
	Soldering time	5±1s
No. of solders		2 time max.

Reference for Hand Soldering

Tip temperature		350°C max.
Soldering time		3s max.
No. of solders		1 time

Notes are common to this series/models.

1. This site catalog shows only outline specifications. When using the products, please obtain formal specifications for supply.
2. Please place purchase orders per minimum order unit (integer).
3. Products other than those listed in above products are also available. Please contact us for details.
4. Please contact us for automotive use products.

Inquiries about Products

[Inquiry](#)

This website uses cookies

We use cookies to personalize content and ads, to provide social media features and to analyze the number of ads display and click. We also collect and share information about your use of our site with our social media, advertising and analytics partners who may combine it with other information that you've provided to them or that they've collected from your use of their services. If you agree to the use of cookies, please click "Allow all cookies" or check the checkbox of the cookie item you agree with, and then click "Allow selection". If you do not agree, leave only the "Necessary" items checked and click "Allow selection".

[Allow selection](#)

[Allow all cookies](#)

Necessary

Preferences

Statistics

Marketing

Show details