

Kingtronics®

RKT-3590

Trimming Potentiometers

FEATURES

- Multiturn/ Round/ Wire Wound
- 2 Shaft Styles

Electrical Characteristics

Standard Resistance Range	100Ω - 100KΩ
Resistance Tolerance	±5%
Independent Linearity	±0.5%
Effective Electrical Travel	≥3600° - 10°
Terminal Resistance	≤0.2% R or 5Ω
Noise	≤3% R or 3Ω
Insulation Resistance	R ≥ 1GΩ
Withstand Voltage	101.3kPa 710V, 8.5kPa 470V

Environmental Characteristics

Power Rating	2W@+70°C, 0W@+125°C
Temperature Range	-55°C ~ +125°C
Temperature Coefficient	±100ppm/°C
Temperature Variation	ΔR ≤ ±2% R, Δ(Uab/Uac) ≤ ±1%
Collision	390m/s ² , 4000cycles, R ≤ 1% R
Vibration	10-500Hz, 0.75mm, or 98m/s ² , 6h ΔR ≤ ±1% R, Δ(Uab/Uac) ≤ ±2%
Climate Category	ΔR ≤ ±3% R, R _i ≥ 100MΩ
Electrical Endurance at 70°C	2W, 1000h, ΔR ≤ ±3% R
Mechanical Endurance	10000 cycles, ΔR ≤ ±3% R
Steady damp-heat	ΔR ≤ ±3% R, R _i ≥ 100MΩ

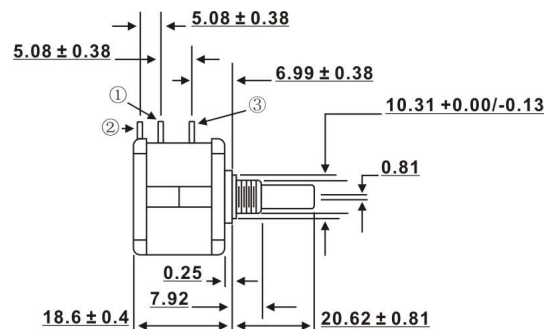
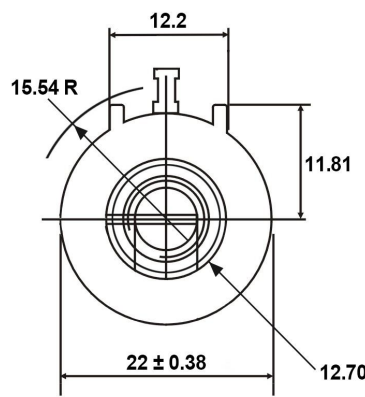
Physical Characteristics

Total Mechanical Travel	3600° ± 10°
Starting Torque	≤ 36mN·m
Clutch Torque	≥ 300mN·m
Standard Packaging	25pcs/box

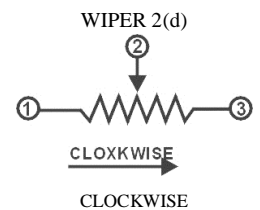
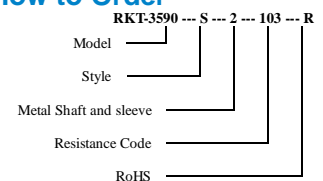
PICTURE



Common Dimensions



How to Order



Tolerance is ±0.25 if no identification

Resistance Table

Resistance (Ohms)	Resistance Code
1,000	102
2,000	202
5,000	502
10,000	103
20,000	203
50,000	503
100,000	104

Special resistances available.

Note: Specifications are subject to change without notice.

Kingtronics® International Company

Website: www.kingtronics.com Email: info@kingtronics.com Tel: (852) 8106 7033 Fax: (852) 8106 7099