



Thick Film Chip Resistors

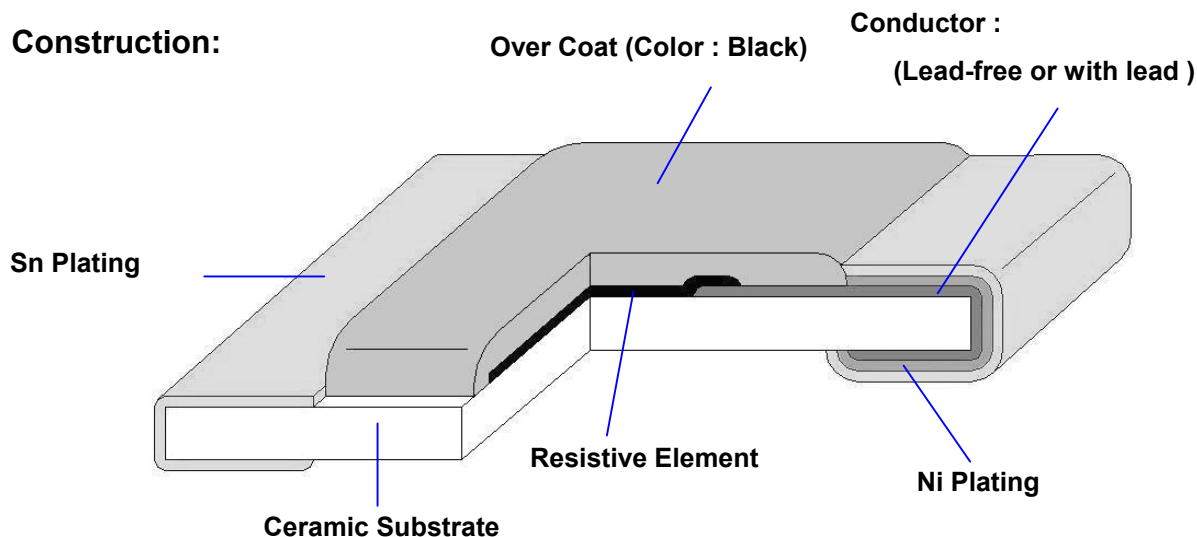
(Lead-Free for RM06 Series)

Document No.	TRM-060S004F
Issued date	2007/07/17
page	1/12

1. Scope :

This specification applies for the RM06 Series of thick film chip resistors made by TA-I.

2. Construction:



3. Type Designation:

RM

Product Code

06

Size

J

Tolerance

TN

Packaging

103

Nominal

RM : Chip Resistor

Power Rating

Resistance

06-0603(1608) 1/10W

J - $\pm 5\%$ G - $\pm 2\%$ F - $\pm 1\%$ D - $\pm 0.5\%$ B - $\pm 0.1\%$

T - Paper Tape
+N: Lead-Free
Special : L : 06 -2mm pitch paper Tape

3 digits, e.g.,: (E-24) 103 = $10k\Omega$ 0 = 0Ω
4 digits, e.g.,: (E-96) 1540 = 154Ω 43R2 = 43.2Ω

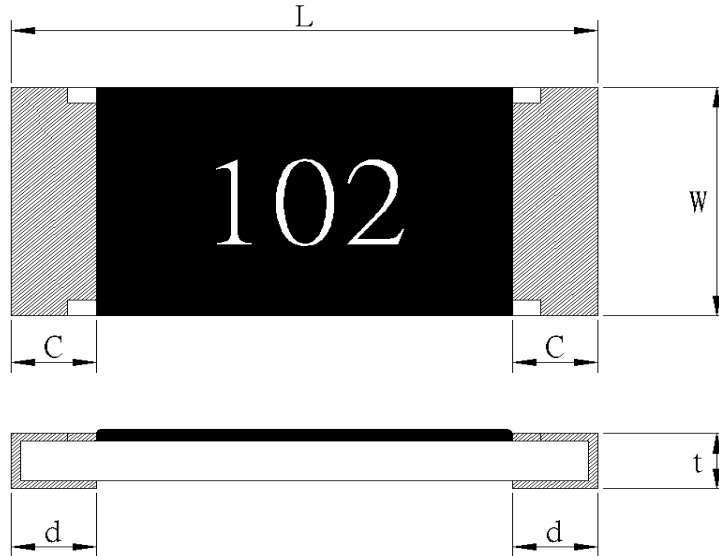


Thick Film Chip Resistors

(Lead-Free for RM06 Series)

Document No.	TRM-060S004F
Issued date	2007/07/17
page	2/12

4. Dimensions:



UNIT: mm

Type	L	W	C	d	t
RM06	1.60±0.10	0.80±0.10	0.30±0.20	0.30 +0.2 -0.1	0.45±0.10

5. Ratings & Characteristics :

Type	Power Rating at 70°C	Rated Voltage	Max. Working Voltage	Max. Over-Load Voltage	T.C.R (PPM/°C)	Resistance Range(Ω)				
						B(±0.1%) E-96	D(±0.5%) E-96	F(±1%) E-96	G(±2%) E-24	J(±5%) E-24
RM06	1/10W	Refer 5.2	50V	100V	±100	10Ω-560kΩ	10Ω-1MΩ	10Ω-1MΩ		
					±200			1M<R≤10MΩ	10Ω-10MΩ	10Ω-10MΩ
					±400			1Ω-9.1Ω	1Ω-9.1Ω	1-9.1Ω 10M<R≤22MΩ

Ω THICK FILM CHIP RESISTORS

Type	Rated Current	Max Overload Current	Resistance Range
RM06	1A	2.5A	50mΩ MAX

2. Operating Temp(°C) : -55°C ~ +125°C

Note : Except for the above standardized products , we also provide the customized products.



Thick Film Chip Resistors

(Lead-Free for RM06 Series)

Document No.	TRM-060S004F
Issued date	2007/07/17
page	3/12

5.1 Derating Curve :

For resistors operated at ambient temperature over 70°C , power rating shall be derated in accordance with figure 1.

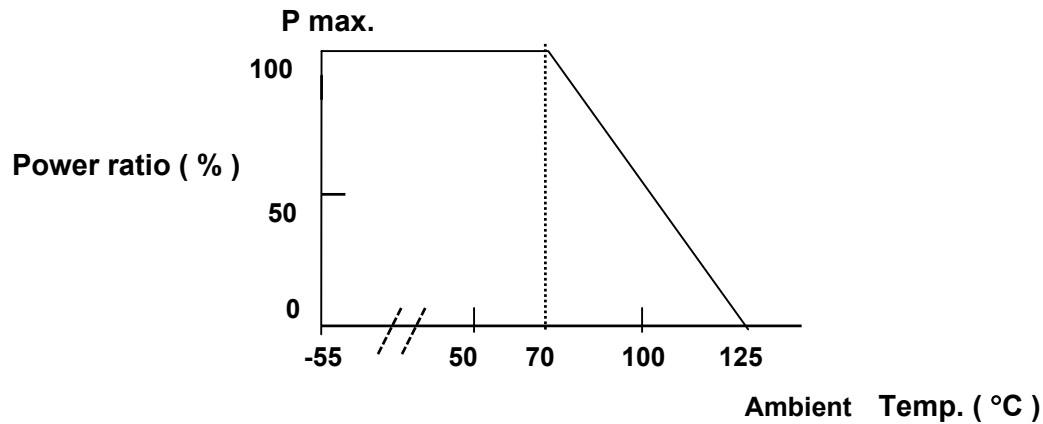


Figure 1

5.2 Rated Voltage:

The rated voltage is calculated by the following formula:

$$E = \sqrt{P * R}$$

E=Rated Voltage(V)
P=Rated Power(W)
R=Resistance Value(Ω)

E.G. : What is RM06JTN102 the rated voltage ?

RM06JTN102 P:1/10W ; R:102 = 1K Ω = 1000 Ω

$$E = \sqrt{0.1(W) * 1000(\Omega)} = 10 (V)$$



Thick Film Chip Resistors

(Lead-Free for RM06 Series)

Document No.	TRM-060S004F
Issued date	2007/07/17
page	4/12

6. Reliability Tests: (As specified in JIS C 5202)

Test Items	Reference standard	Condition of Test	Test Limits
Temperature Coefficient of Resistance	JIS-C5202-5.2	-55~ +125 °C	Refer 5.0
Short Time Overload	JIS-C5202-5.5	2.5 X rated voltage for 5 sec	± (1% + 0.05Ω) 0Ω : 50mΩ or less
Intermittent Overload	JIS-C5202-5.8	3.0 X rated voltage or Max Overloading voltage, 1sec "ON", 25sec "OFF", 10000 cycle	± (5.0% + 0.1Ω) 0Ω : 50mΩ or less
Load Life	JIS-C5202-7.10	1000 hours at rated voltage, 70°C, 1.5hours "ON", 0.5hour "OFF"	0.5%, 1%: ±(1.0%+0.05Ω) 2%, 5%: ±(3.0%+0.1Ω) 0Ω : 100mΩ or less
Load Life with Humidity	JIS-C5202-7.9	1000 hours at rated voltage, 40±2°C, 90~95% RH 1.5hours "ON", 0.5hour "OFF"	0.5%, 1%: ±(1.0%+0.05Ω) 2%, 5%: ±(3.0%+0.1Ω) 0Ω : 100mΩ or less Without mechanical damage
Rapid Change of Temperature	JIS-C5202-7.4	-55°C (30 min.) / +155 °C (30 min.) 5 cycles	0.5%, 1% : ±(0.5%+0.05Ω) 2%, 5% : ±(1.0%+0.05Ω) 0Ω : 50mΩ or less
Solderability	JIS-C5202-6.11	245±5°C solder, 2±0.5 sec dwell. Solder : Sn96.5 / Ag3.0 / Cu0.5	At least 95% of surface area of electrode shall be covered with new solder.
Robustness of Termination (Bending)	JIS-C5202—6.1	3mm deflection	0.5%, 1%: ±(0.5%+0.05Ω) 2%, 5%: ±(1.0%+0.05Ω) 0Ω: 50mΩ or less
Dielectric Withstanding Voltage (Voltage Proof)	JIS-C5202-5.7	Applying voltage : 300V for a minute .	No abnormalities such as flashover, burning dielectric breakdown shall appear.
Insulation Resistance	JIS-C5202-5.6	Applying voltage 100V for 1 minute.	≥ 1GΩ
Resistance to Dry Heat	JIS-C5202-7.2	125±5°C for 96±4Hrs	0.5%, 1% : ±(1.0%+0.05Ω) 2%, 5% : ±(2.0%+0.1Ω) 0Ω: 50mΩ or less
Resistance to Solder Heat	JIS-C5202-6.10	270 ±5°C solder, 10 ±1 sec dwell .	0.5%, 1%: ±(0.5%+0.05Ω) 2%, 5%: ±(1.0%+0.05Ω) 0Ω: 50mΩ or less



Thick Film Chip Resistors

(Lead-Free for RM06 Series)

Document No.	TRM-060S004F
Issued date	2007/07/17
page	5/12

Whisker	SONY SS-00254-8	<p>Component , Lead-Free Soldering part 8 : Solder Heat Resistance Test for SMD. Lead-Free Soldering "</p> <p>Temp. Cycles : -35 ± 5°C / 125 ± 5°C , Keep 7 min Testing duration : 500±4 hours</p> <p>Temp. Humidity Chambers: Temperature : 85°C Humidity : 85% RH Testing duration : 500±4 hours .</p>	Whisker formation : 50 um or less .
Resistance to Solder Heat	SONY SS-00254-5	<p>Component , Lead-Free Soldering part 5 : Solder Heat Resistance Test for SMD. Lead-Free Soldering "</p> <p>Flow Solder : Pre – heat : 100 to 105 °C 30±5 sec Temperature : 260±3°C 10 +1/- 0 sec The entire sample shall be dipped in solder. The specimen shall be stored at standard atmospheric conditions for 1 hour .</p> <p>Iron Solder : Bit temperature : 350 ±10°C Application time of soldering iron : 3 +1/- 0sec Apply the soldering iron to the electrode . The specimen shall be stored at standard atmospheric conditions for 1 hour , after which the measurements shall be made</p>	Electrical characteristics shall be Satisfied . Without distinct deformation in appearance

Note* : RCWV : Rated continuous working voltage .

7. Marking :

7.1 ±2% & ±5%(E24)

Resistance value is expressed by 3 digits, the first two digits represent the significant figures of nominal resistance value in Ω , and the third digit represents exponent for base of 10.

E.G. :, 472 = $47 \times 10^2 = 4700 \Omega = 4.7K \Omega$

7.2 ±1% (E96)

Resistance value is expressed by 4 digits or 3digits , the first three digits represent the significant figures of nominal resistance value in Ω , and the fourth digit represents exponent for base of 10.

E.G. : 4701 = $470 \times 10^1 = 4700 \Omega = 4.7K$



Thick Film Chip Resistors

(Lead-Free for RM06 Series)

Document No.	TRM-060S004F
Issued date	2007/07/17
page	6/12

7.3 ±1%(RM06/E96)

When the marking space is too small in such small-sized resistors as RM06, the marking can not be made by 4 digits and may be made by two digits combined with one English capital.

Symbol for E96 series nominal resistance value

Symbol	E96	Symbol	E96	Symbol	E96	Symbol	E96
01	100	25	178	49	316	73	562
02	102	26	182	50	324	74	576
03	105	27	187	51	332	75	590
04	107	28	191	52	340	76	604
05	110	29	196	53	348	77	619
06	113	30	200	54	357	78	634
07	115	31	205	55	365	79	649
08	118	32	210	56	374	80	665
09	121	33	215	57	383	81	681
10	124	34	221	58	392	82	698
11	127	35	226	59	402	83	715
12	130	36	232	60	412	84	732
13	133	37	237	61	422	85	750
14	137	38	243	62	432	86	768
15	140	39	249	63	442	87	787
16	143	40	255	64	453	88	806
17	147	41	261	65	464	89	825
18	150	42	267	66	475	90	845
19	154	43	274	67	487	91	866
20	158	44	280	68	499	92	887
21	162	45	287	69	511	93	909
22	165	46	294	70	523	94	931
23	169	47	301	71	536	95	953
24	174	48	309	72	549	96	976

Symbol for multipliers

Symbol	A	B	C	D	E	F	G	H	X	Y	Z
multipliers	10 ⁰	10 ¹	10 ²	10 ³	10 ⁴	10 ⁵	10 ⁶	10 ⁷	10 ⁻¹	10 ⁻²	10 ⁻³

E.G : 02C = 102×10² = 10.2kΩ

Notes :

When the resistance value is not in the list of E96 , 3 digitals with underline in E-24 series is used as mark .

E.G. :

0603 , 120Ω , 1% Marking is 121

7.4 ±1%(E96/3digitals)

The resistance value by 3 digits is requirement for customer.



Thick Film Chip Resistors

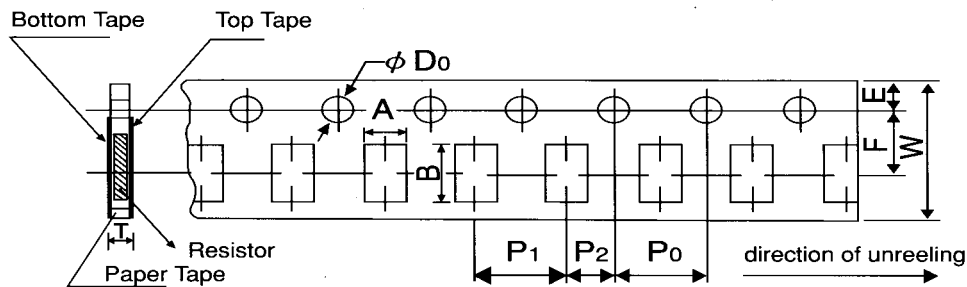
(Lead-Free for RM06 Series)

Document No.	TRM-060S004F
Issued date	2007/07/17
page	7/12

8. Taping & Reel :

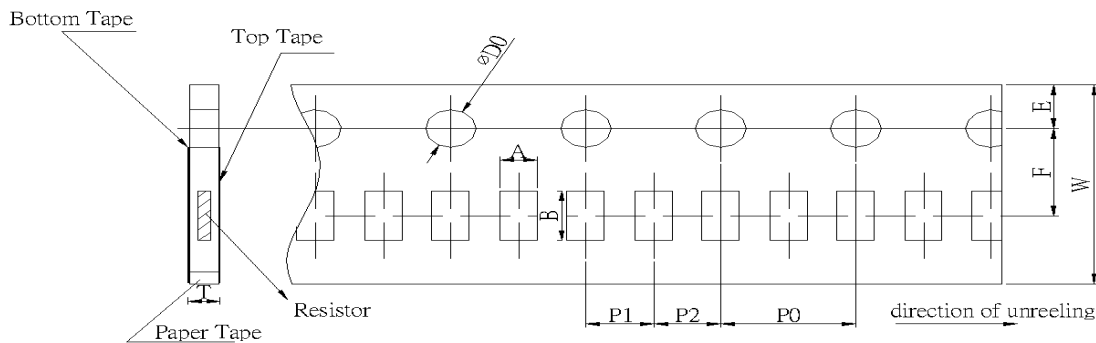
8.1 Taping Dimensions

8.1.1 4 mm pitch paper :



Packing	Type	A	B	W	F	E	P ₁	P ₂	P ₀	D ₀	T
Paper	RM06	1.1±0.1	1.9±0.1	8.0±0.2	3.5±0.05	1.75±0.1	4.0±0.1	2.0±0.05	4.0±0.1	$\phi 1.5^{+0.1}_{-0}$	0.64±0.1

8.1.2 2 mm pitch paper :



Packing	Type	A	B	W	F	E	P ₁	P ₂	P ₀	D ₀	T
Paper	RM06	1.1±0.1	1.9±0.1	8.0±0.2	3.5±0.05	1.75±0.1	2.0±0.1	2.0±0.1	4.0±0.1	$\phi 1.5^{+0.1}_{-0}$	0.64±0.1

Package		Paper Tape				Bulk
		4 mm pitch		2 mm pitch		
Type	Size	178mm/R	250mm/R	178mm/R	250mm/R	
RM	06	5000	10000	10000	20000	20000

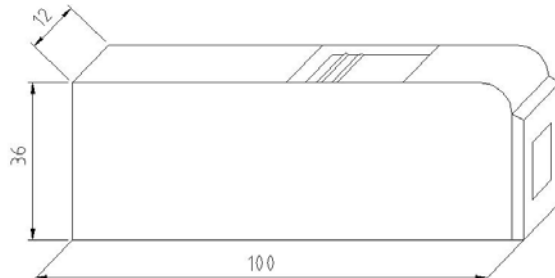


Thick Film Chip Resistors

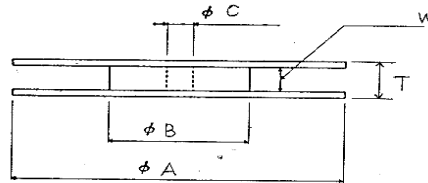
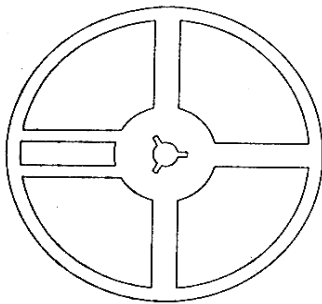
(Lead-Free for RM06 Series)

Document No.	TRM-060S004F
Issued date	2007/07/17
page	8/12

8.1.3 Bulk Case Specifications:



8.2 Reel Specifications:



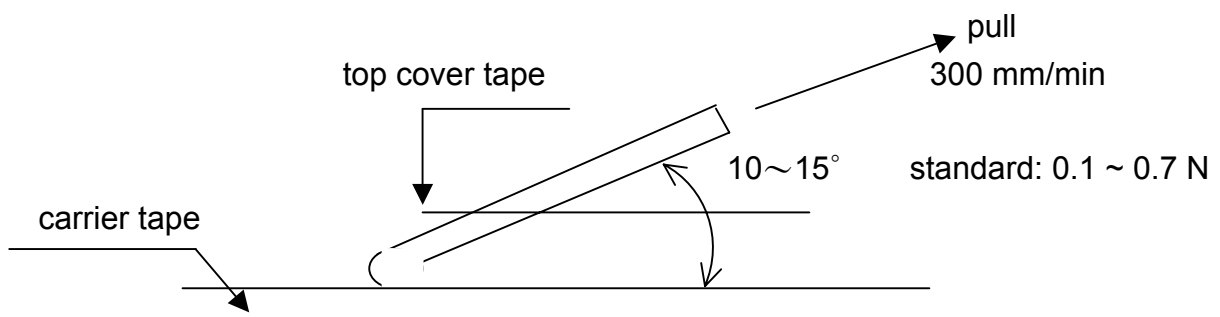
UNIT: mm

Type	ϕA	ϕB	ϕC	W	T
RM06	178.0 ± 2.0	60.0 ± 1.0	13.0 ± 1.0	9.0 ± 1.0	11.5 ± 1.0

8.3. Peel –off force :

Peel –off force of paper and blister tape is in accordance with “JIS-C5202 ”

that is , 0.1 to 0.7 N at a peel-off speed of 300 mm / minute.





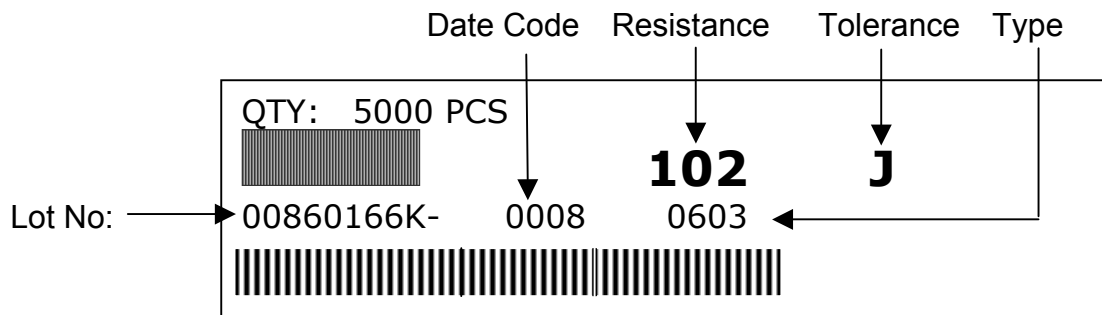
Thick Film Chip Resistors

(Lead-Free for RM06 Series)

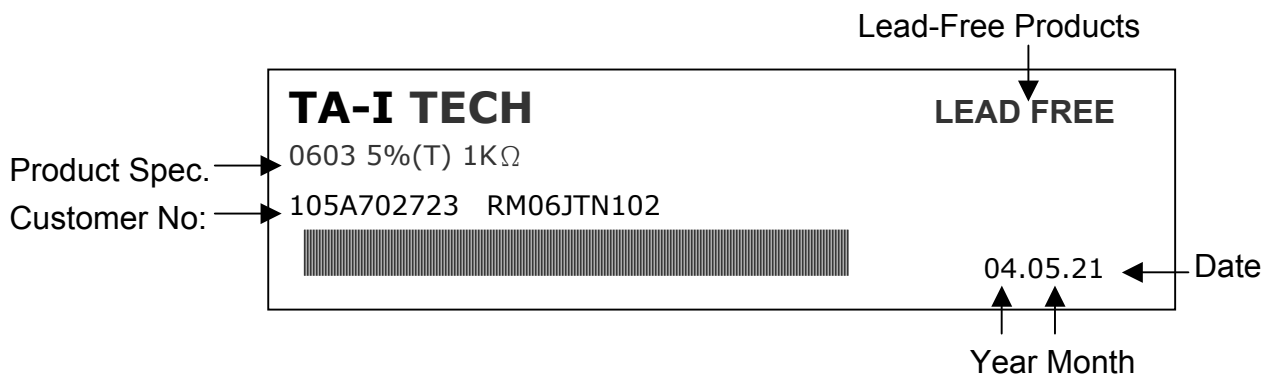
Document No.	TRM-060S004F
Issued date	2007/07/17
page	9/12

9. Label :

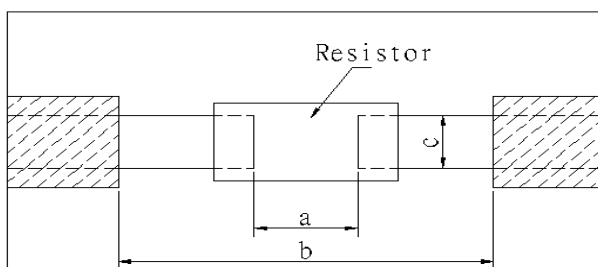
9.1 Manufacture Label :



9.2 Customer Label (By customer request):



10. Recommended land patterns :



Land pattern		Dimension (mm)		
		a	b	c
Type	Size			
RM	06 (0603)	0.7~0.9	2.0~2.2	0.8~1.0

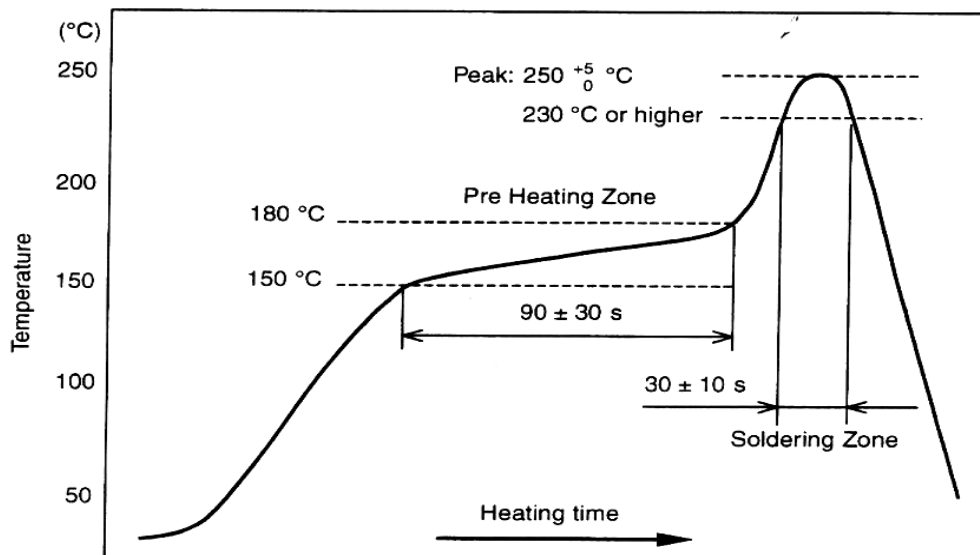


Thick Film Chip Resistors

(Lead-Free for RM06 Series)

Document No.	TRM-060S004F
Issued date	2007/07/17
page	10/12

11. Recommend IR – Reflow profile : (solder : Sn96.5 / Ag3 / Cu0.5)



Peak : $250 \pm 5^{\circ}\text{C}$, 5 sec
- 0

Pre – heat Zone : 150 to 180 °C , 90 ± 30 sec

Soldering Zone : 230°C or higher , 30 ± 10 sec

12. Storage Conditions:

Temperature : 5 to 35 °C

Related Humidity :40% to 75% RH

13. Shelf Life :

2 Years from manufacturing date.

14. ECN :

Engineering Change Notice: The customer will be informed with ECN if there is significant modification on the characteristics and materials described in Approval Sheet.



Thick Film Chip Resistors

(Lead-Free for RM06 Series)

Document No.	TRM-060S004F
Issued date	2007/07/17
page	11/12

15. Manufacturing Country & City :

TA-I TECHNOLOGY CO., LTD. (Taiwan– Tao Yuan)

Tel: 886-3-3246169 Fax : 886-3-3246167

Associated companies :

(1) FORTUNE TASK RESISTOR FACTORY (China – Dongguan)

Tel : 86-769-8339-4790~3 Fax : 86-769-8339-4794

(2) TA-I TECHNOLOGY (DONGGUAN) CO., LTD. (China –Dongguan)

Tel : 86-769-8339-4790~3 Fax : 86-769-8339-4794

(3) TA-I TECHNOLOGY (SU ZHOU) CO., LTD. (China – Su Zhou)

Tel :86- 512-63457879 Fax : 86-512-63457869

(4) TAI OHM ELECTRONICS (M) SDN. BHD. (Malaysia – Pulaupinang)

Tel :604- 3900480 Fax : 604-3901481

(5) P.T.TAI ELECTRONICS Indonesia (Indonesia – Jakarta)

Tel :002-62-21-44820254 Fax : 002-62-21-44820256



Thick Film Chip Resistors

(Lead-Free for RM06 Series)

Document No.	TRM-060S004F
Issued date	2007/07/17
page	12/12

Revise record

Date	Content	Owner
Nov.25.2005	<p>4. Ratings & Characteristics : Adding Rating Voltage</p> <p>5. Reliability Tests: Adding to Whisker & Resistance to soldering heat</p> <p>7.3 Storage Conditions: Deleted to Storage Conditions</p> <p>8.2 Customer Label Adding to Customer Label</p> <p>10. Recommend IR – Reflow profile Adding to Recommend IR – Reflow profile</p> <p>11. Storage Conditions: Adding to Storage Conditions:</p> <p>12. Shelf Life Adding to Shelf Life :</p>	Hank Liu
Jul.10.2006	<p>2. Conductor : Adding to (Lead-free or with lead)</p> <p>3. Type Designation: 06-0603 changed 06-0603(1608) (E-24) 103 = $10^3\Omega = 10k\Omega$ changed 103 = $10k\Omega$</p> <p>5. Ratings & Characteristics : Resistance Range(Ω) : B($\pm 0.1\%$) E-96 (TCR± 100): 56Ω-560kΩ changed 10Ω-560KΩ D($\pm 0.5\%$)E-96(TCR± 100) : 56Ω-560kΩ changed 10Ω-1MΩ F($\pm 1\%$)E-96 (TCR± 200) : Adding To 1M<R\leq10MΩ J($\pm 5\%$)E-24 (TCR± 400) : : Adding To 10M<R\leq20MΩ</p> <p>9.1 Manufacture label : Series number 3 codes changed to 4 codes</p> <p>15. Manufacturing Country & City: Adding TA-I TECHNOLOGY (DONGGUAN) CO., LTD</p>	Vincent
Jul.17.2007	<p>5. Ratings & Characteristics : Resistance Range (Ω) : Adding to 22MΩ for 5% tolerance.</p>	Vincent