

CHOKE COILS
SC TYPE

SC1223 Series



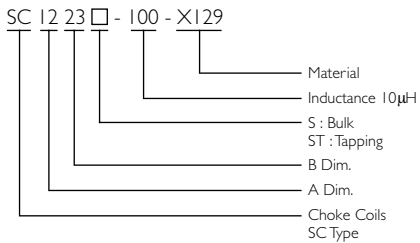
TEST INSTRUMENTS

L : HPT 4192A LF Impedance Analyzer

D.C. Current : CHEN HWA CHI061+301A

D.C. Resistance : CHEN HWA502BC

PRODUCT IDENTIFICATION



FEATURES

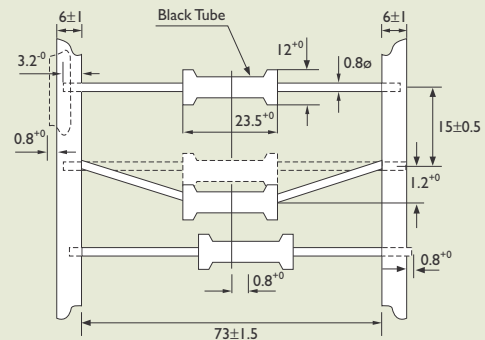
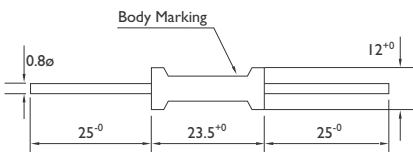
Low Cost

Wide Range of Inductance

High Reliability

DIMENSIONS

Dimensions : mm





ELECTRICAL PARAMETERS

ITEM	INDUCTANCE L (μ H) @1 KHz, 1V	D.C. RESISTANCE Max. (Ω)	D.C. CURRENT Min. (mA)
SC1223 □ -3R9-X129	3.9 \pm 15%	0.007	4500
SC1223 □ -4R7-X129	4.7 \pm 15%	0.008	4000
SC1223 □ -5R6-X129	5.6 \pm 15%	0.009	3500
SC1223 □ -6R8-X129	6.8 \pm 15%	0.011	3300
SC1223 □ -8R2-X129	8.2 \pm 15%	0.013	2900
SC1223 □ -100-X129	10 \pm 15%	0.017	2700
SC1223 □ -120-X129	12 \pm 15%	0.019	2400
SC1223 □ -150-X129	15 \pm 15%	0.022	2100
SC1223 □ -180-X129	18 \pm 15%	0.023	1900
SC1223 □ -220-X129	22 \pm 15%	0.026	1700
SC1223 □ -270-X129	27 \pm 15%	0.027	1500
SC1223 □ -330-X129	33 \pm 15%	0.032	1400
SC1223 □ -390-X129	39 \pm 15%	0.033	1300
SC1223 □ -470-X129	47 \pm 15%	0.035	1200
SC1223 □ -560-X129	56 \pm 15%	0.037	1100
SC1223 □ -680-X129	68 \pm 15%	0.047	1400
SC1223 □ -820-X129	82 \pm 15%	0.060	1300
SC1223 □ -101-X129	100 \pm 15%	0.080	1200
SC1223 □ -121-X129	120 \pm 15%	0.090	1100
SC1223 □ -151-X129	150 \pm 15%	0.120	940
SC1223 □ -181-X129	180 \pm 15%	0.140	900
SC1223 □ -221-X129	220 \pm 15%	0.160	800
SC1223 □ -271-X129	270 \pm 15%	0.180	770
SC1223 □ -331-X129	330 \pm 15%	0.212	620
SC1223 □ -391-X129	390 \pm 15%	0.260	600
SC1223 □ -471-X129	470 \pm 15%	0.281	510
SC1223 □ -561-X129	560 \pm 15%	0.380	480
SC1223 □ -681-X129	680 \pm 15%	0.500	470



ELECTRICAL PARAMETERS

ITEM	INDUCTANCE L (μ H) @1 KHz, 1V	D.C. RESISTANCE Max. (Ω)	D.C. CURRENT Min. (mA)
SC1223 □ -821-X129	820 \pm 15%	0.548	430
SC1223 □ -102-X129	1000 \pm 15%	0.655	380
SC1223 □ -122-X129	1200 \pm 15%	0.884	350
SC1223 □ -152-X129	1500 \pm 15%	1.040	310
SC1223 □ -182-X129	1800 \pm 15%	1.180	290
SC1223 □ -222-X129	2200 \pm 15%	1.568	250
SC1223 □ -272-X129	2700 \pm 15%	2.06	220
SC1223 □ -332-X129	3300 \pm 15%	2.53	210
SC1223 □ -392-X129	3900 \pm 15%	2.75	200
SC1223 □ -472-X129	4700 \pm 15%	3.19	170
SC1223 □ -562-X129	5600 \pm 15%	3.92	150
SC1223 □ -682-X129	6800 \pm 15%	6.69	140
SC1223 □ -822-X129	8200 \pm 15%	6.32	130
SC1223 □ -103-X129	10000 \pm 15%	7.30	110
SC1223 □ -123-X129	12000 \pm 15%	9.21	100
SC1223 □ -153-X129	15000 \pm 15%	10.50	95
SC1223 □ -183-X129	18000 \pm 15%	14.80	90
SC1223 □ -223-X129	22000 \pm 15%	21.80	80
SC1223 □ -273-X129	27000 \pm 15%	22.70	70
SC1223 □ -333-X129	33000 \pm 15%	25.7	60
SC1223 □ -393-X129	39000 \pm 15%	33.00	60
SC1223 □ -473-X129	47000 \pm 15%	36.10	60
SC1223 □ -563-X129	56000 \pm 15%	40.90	55
SC1223 □ -683-X129	68000 \pm 15%	57.30	45
SC1223 □ -823-X129	82000 \pm 15%	79.30	40
SC1223 □ -104-X129	100000 \pm 15%	89.70	40

* Customers' specifications are welcome.

NOTE: Marking : Per Customer's Specifications