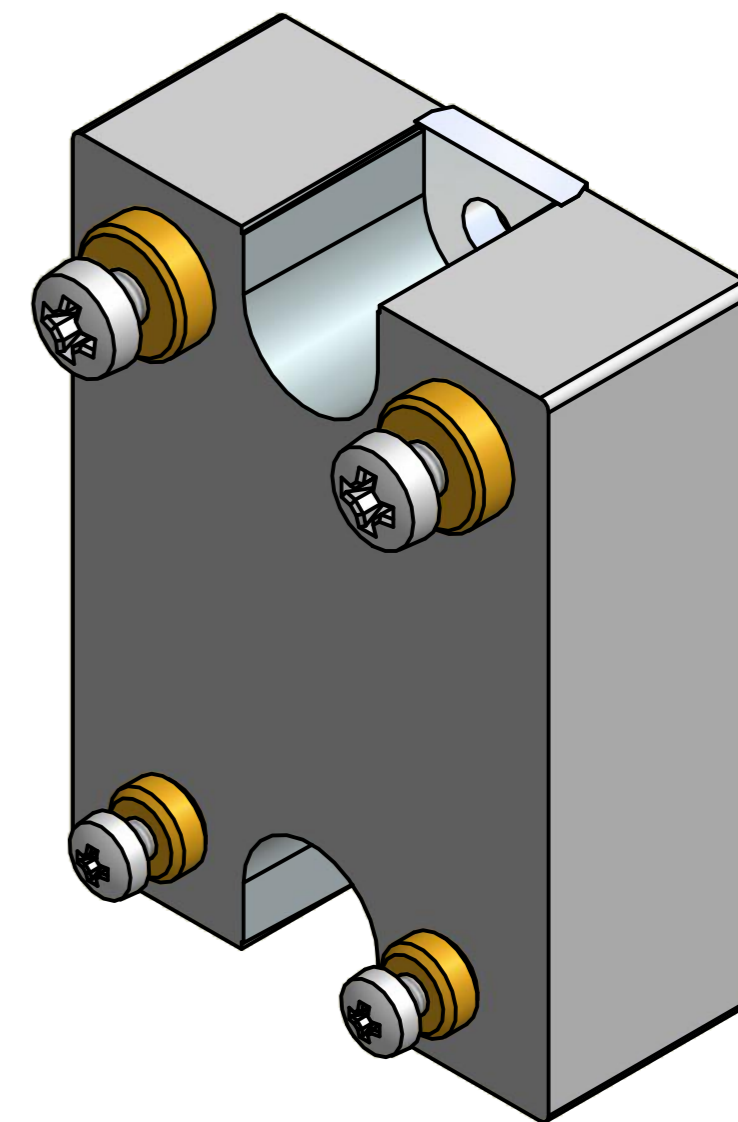
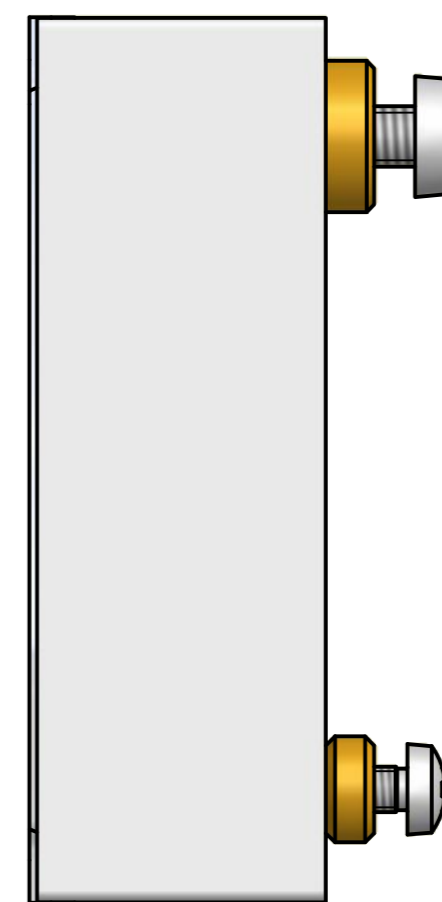
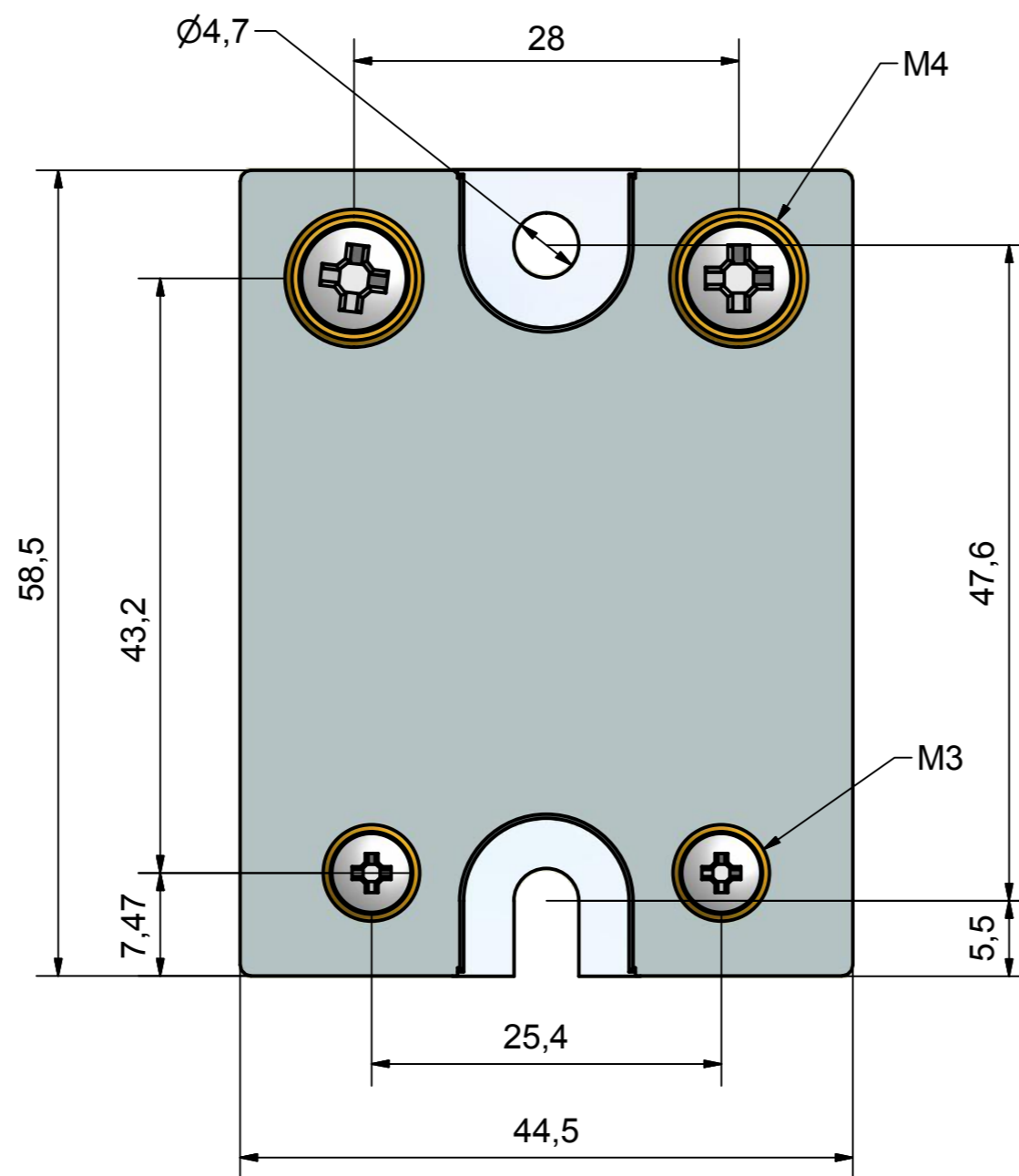


(2 : 1)



Note: this drawing is to be used for the following references:
 SC84xx1x SC862xxx SC864xxx
 SC867xxx SC868xxx SC885100
 SC887100

Any change made on this CAD document must be forwarded for update in the original computer file.				
design forwarded:				F
See note				E
format sheet respectful of the scales: A2				D
computer code	V			C
date	05/01/10	base thickness added		GTh B
date	23/12/09	GTh3723		GTh A
Ref:	Qty:	Folio : 1 / 1	date	Valid ind.
celduc relais		www.celduc-relais.com	general tolerances	Material
5, rue Ampère BP 30004 42290 SORBIERS FRANCE		tel: +33 (0)4 77 53 90 27 fax +33 (0)4 77 53 85 51 gthollot@celduc.com	Obs:	
Static Relay			Number and index doc: 2D3D 560 Bldw	
overall dimensions				
This document is the exclusive property of the Celduc relay company. Whatever the process, it will be neither reproduced nor communicated, nor used without written permission.				