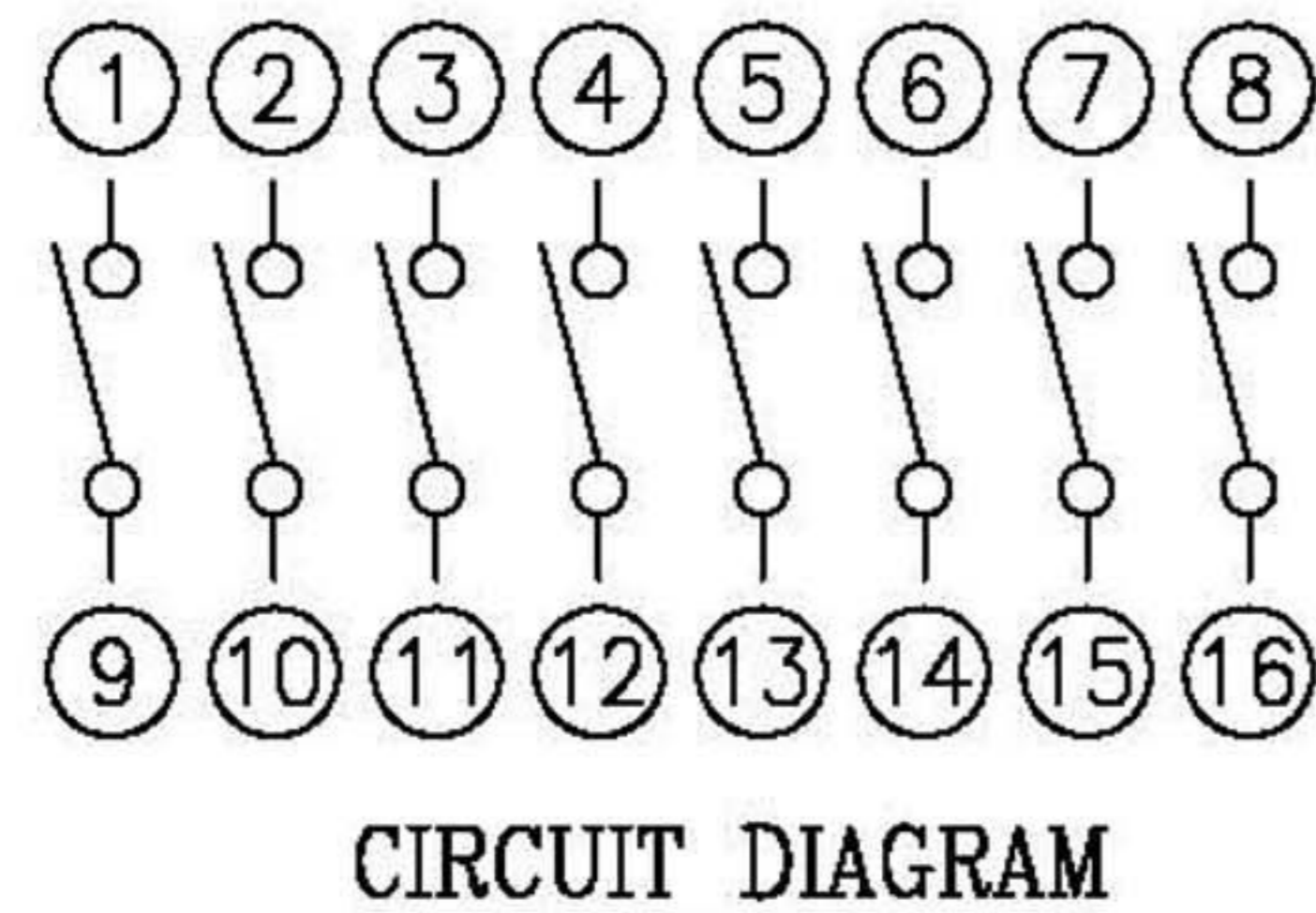
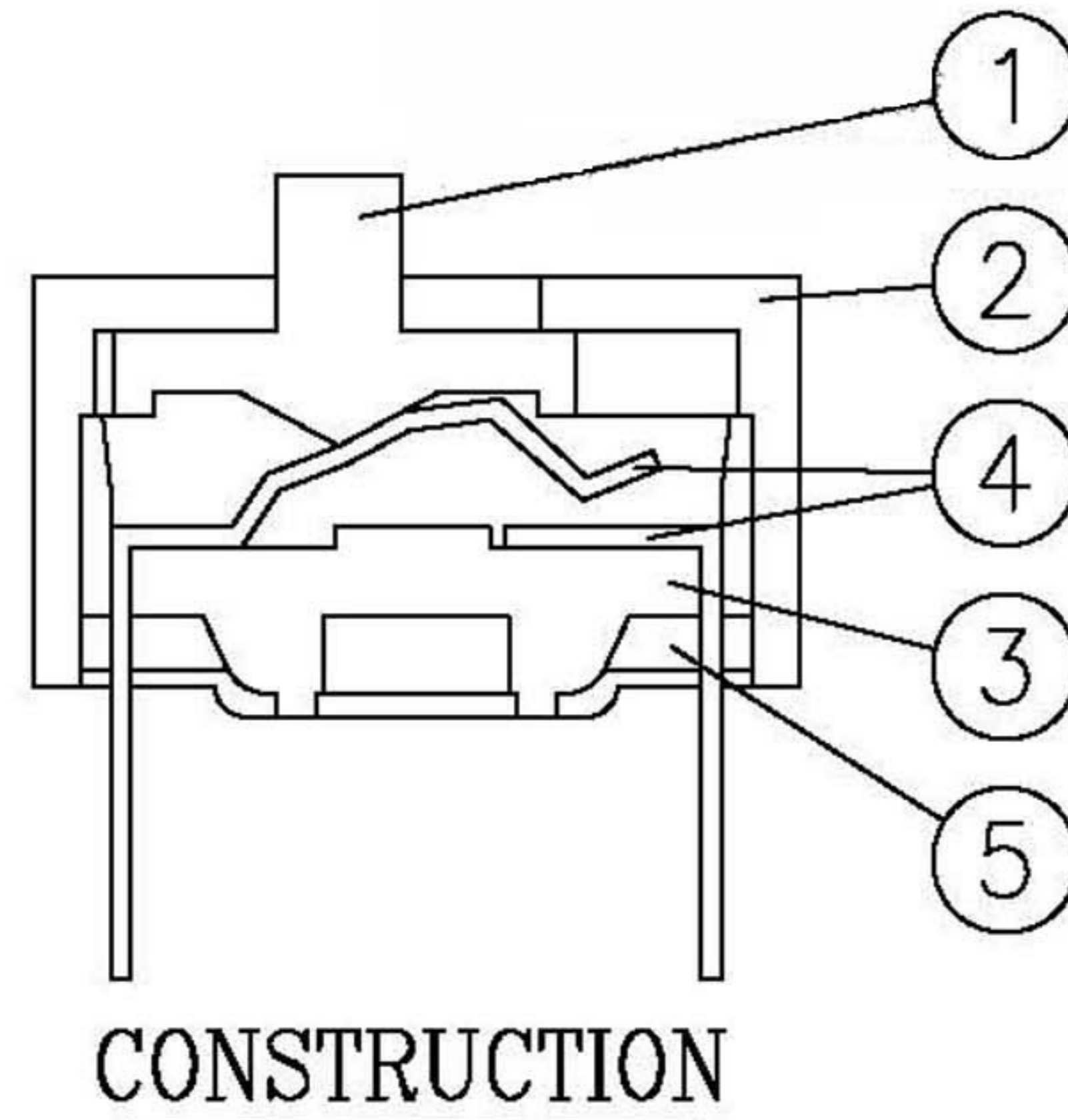
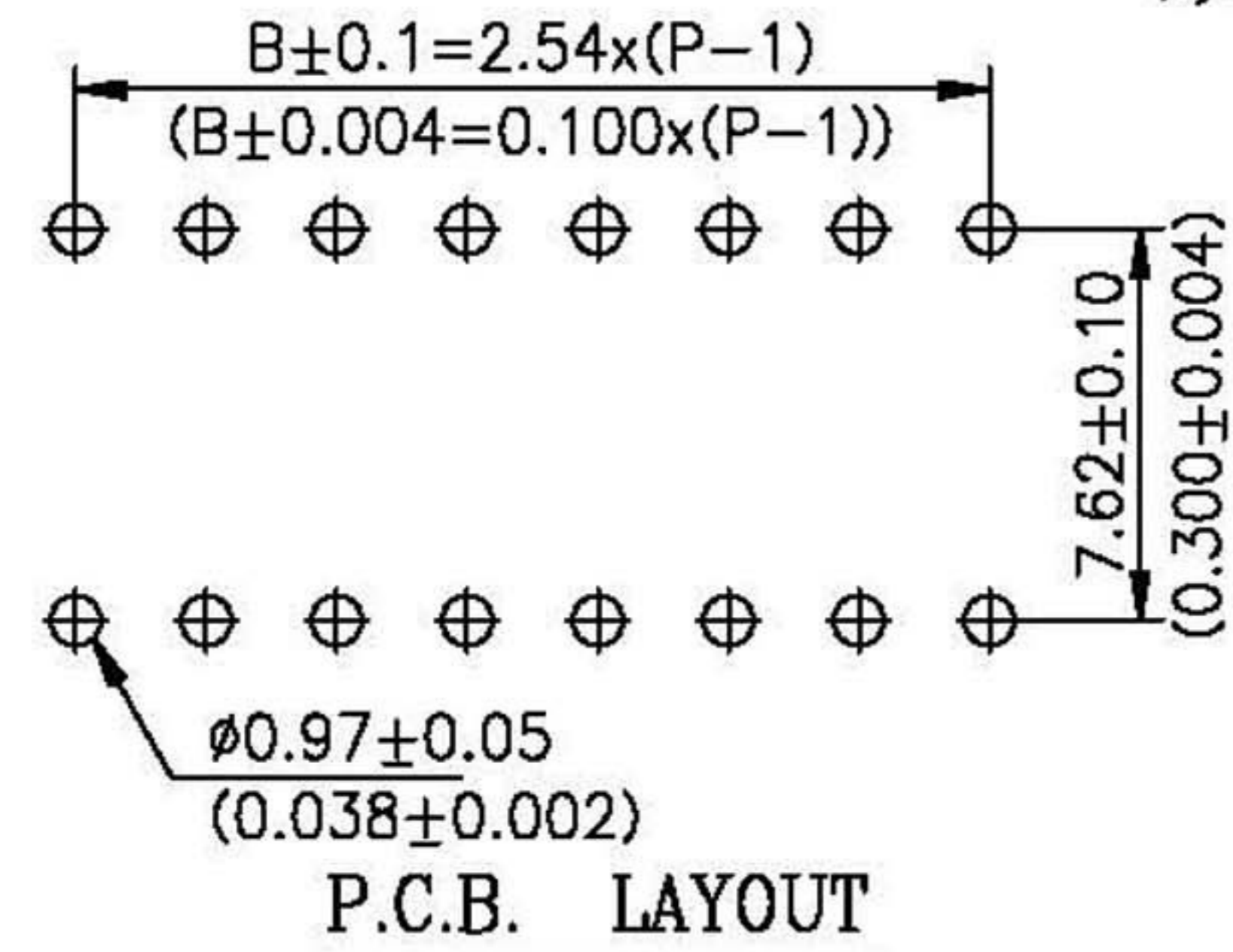
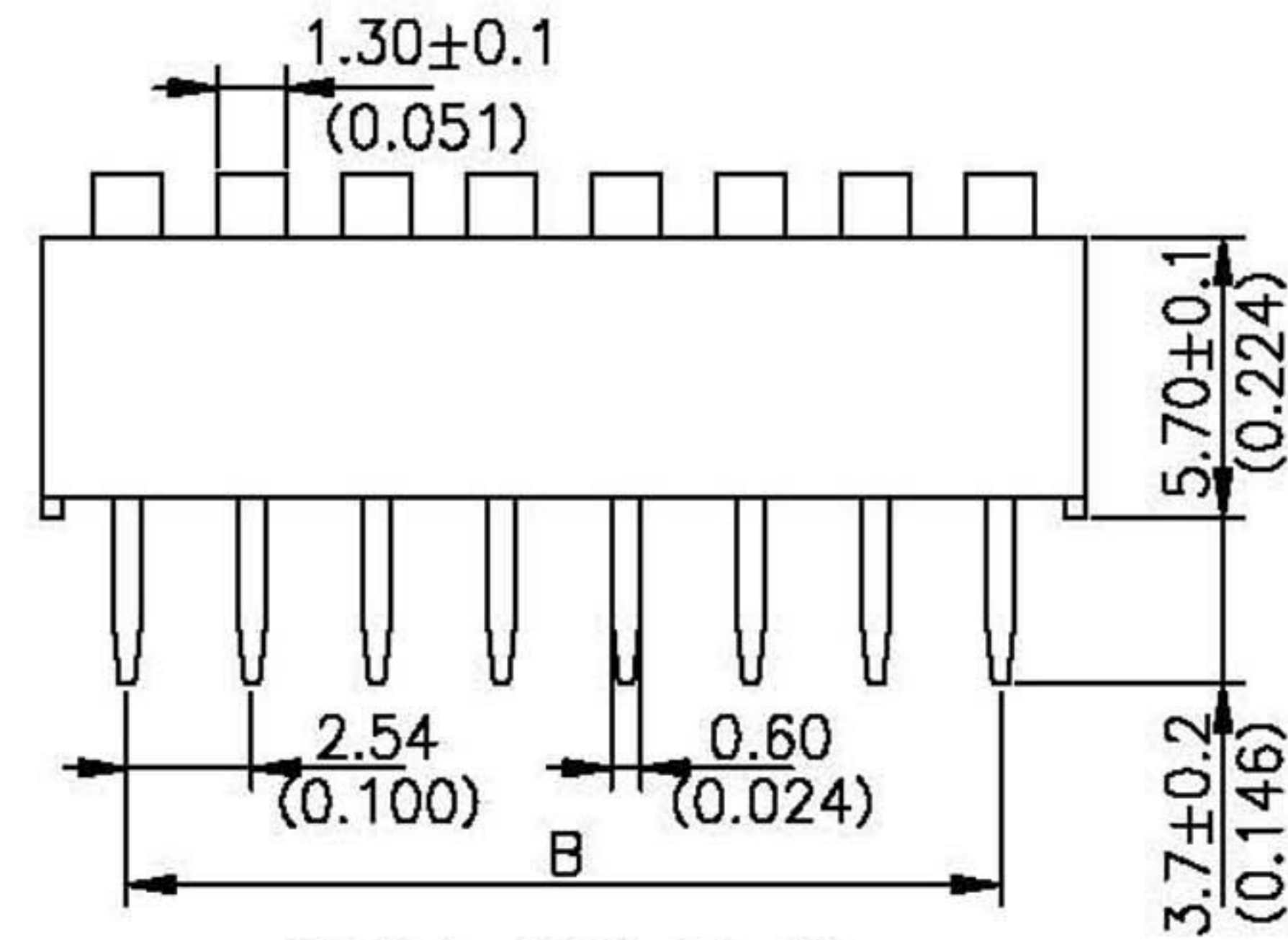
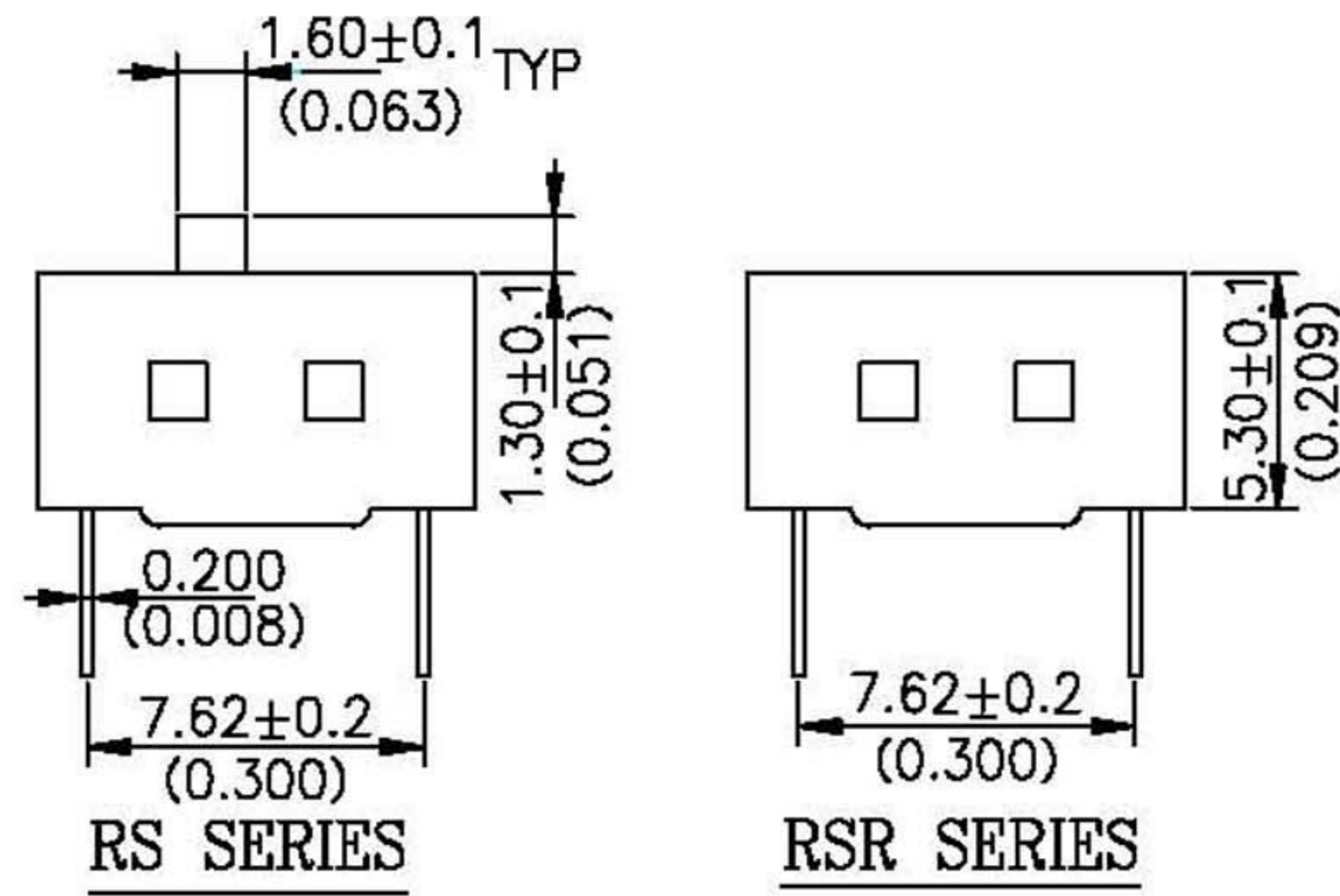
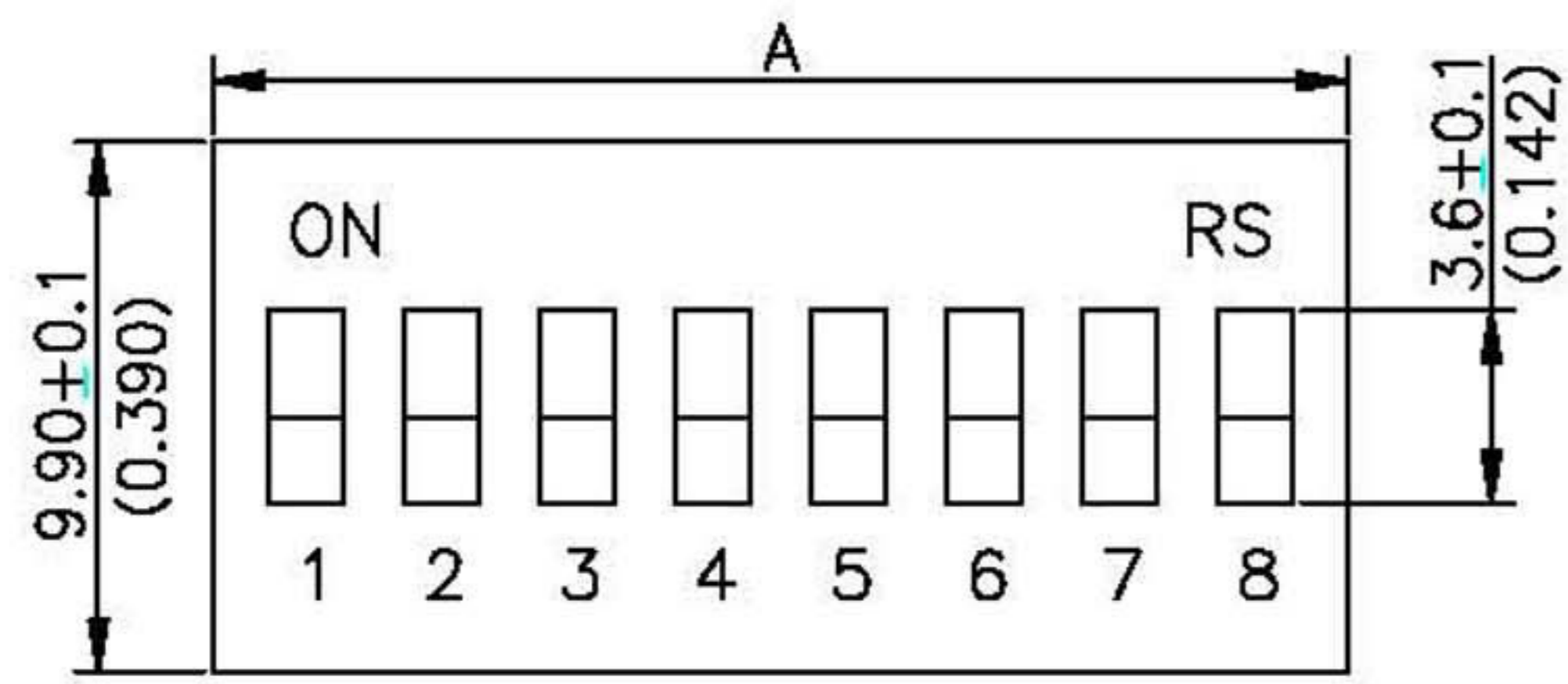


DIMENSION:(UNIT:mm/inches)



Max.voltage 50VDC

Max.switching current 50mA

No.ofPOS	DIM.A	DIM.B
01	3.84(0.151)	—
02	6.08(0.239)	2.54(0.100)
03	8.92(0.351)	5.08(0.200)
04	11.16(0.439)	7.62(0.300)
05	13.70(0.539)	10.16(0.400)
06	16.24(0.639)	12.70(0.500)
07	19.08(0.751)	15.24(0.600)
08	21.32(0.839)	17.78(0.700)
09	24.16(0.951)	20.32(0.800)
10	26.40(1.039)	22.86(0.900)
12	31.48(1.239)	27.94(1.100)

ITEM	DES	MATERIALS	TREATMENT
1	ACTUATOR	UL94V-0 PBT THERMOPLASTIC	WHITE
2	COVER	UL94V-0 PBT THERMOPLASTIC	BLUE, RED.BLACK
3	BASE	UL94V-0 PBT THERMOPLASTIC	BLACK
4	TERMINAL	PHOSPHOR BRONZE	GOLD PLATING
5	POTTING	EXPOXY	BLACK

RoHS Compliant

T&T Connection System Co., Ltd.

APPD. 核准 Hedy
 DWG. 製圖 Yumi
 DATE 制表日 2009/03/03

SCALE 比例 參考
 UNIT 單位 MM
 PAGE 張數 1 OF 1

TOLERANCE 一般公差
 尺寸範圍 容許值
 0-4 ±0.05
 4-16 ±0.1
 16-50 ±0.15
 SIZE. 紙張尺寸 A4
 REV. 版次 A
 PART NAME 品名
 DIP SWITCH SLIDE TYPE
 XXP GOLD 3U" LOW-LEAD
 PART NO. 料號
 SDIP-xx