



SUNON

SPECIFICATION FOR APPROVAL

CUSTOMER :
DESCRIPTION : AXIAL AC FAN
DIMENSIONS : 80X80X25 mm
M O D E L : SF23080AT
P/N : 2082HBL
APPROVED NO :
(AUTHORIZED)
APPROVED BY :

DAWN	March 8/19	CHKD.	Kiddy	APPD.	Winner	SPEC. NO.	A800019
						ISSUE DATE	03.18.1996
						EDITION	1
						REVISE DATE	08.19.2002
						E.SPEC	EA80015

建準電機工業股份有限公司

SUNONWEALTH ELECTRIC MACHINE INDUSTRY CO., LTD.

12FL., 120 CHUNG CHENG 1ST RD.,

TEL:886-7-7163069(41 LINES)

KAOHSIUNG, TAIWAN, R. O. C.

FAX:886-7-7163086~89

AXIAL AC FAN**MODEL : SF23080AT****P/N : 2082HBL****CHARACTERISTICS**

- 1. Motor Design : Reliable Shaded-Pole Motor Construction.**
- 2. Insulation Resistance : 500Megohms minimum at 500 VDC.**
- 3. Dielectric Strength : 1500 VAC for one minute.**
- 4. Motor Protection : Impedance protected.**
- 5. Noise Level : Measured in a semi-anechoic chamber**
With background noise level below 15
dB(A). The fan is running in free air with
Microphone at a distance of one meter
From the fan intake.
- 6. Air Performance : Measured by a double chamber. The value**
Are recorded when the fan speed is stabilized
at rated voltage.
- 7.Tolerances : ±15% on rated power and current.**

建準電機工業股份有限公司 SUNONWEALTH ELECTRIC MACHINE INDUSTRY CO., LTD	SPEC. NO.	A800019	REVISE DATE	08. 19. 2002
	ISSUE DATE	03. 18. 1996	EDITION	1
	PAGE	2 OF 6		

SPECIFICATIONS

MODEL: SF23080AT

P/N : 2082HBL

- 1-1. Rated Voltage : 220/240 VAC 50/60 HZ**
- 1-2. Operating Voltage Range : 185-245 VAC**
- 1-3. Starting Voltage : 185 VAC (25°C POWER ON/OFF)**
- 1-4. Rated Speed : 2450/2900 RPM ± 10%**
- 1-5. Air Delivery : 18/22 CFM**
- 1-6. Static Pressure : 0.13/0.19 Inch-H₂O**
- 1-7. Rated Current : 0.07/0.07 AMP**
- 1-8. Input Power : 14/13.5 WATTS**
- 1-9. Noise Level : 30/34.5 dB(A)**
- 1-10. Direction of Rotation : Counter-clockwis viewed front fan blade**
- 1-11. Motor Protection : Impedance Protected.**
- 1-12. Operating Temperature : -10 to +70 Deg.C**
- 1-13. Storage Temperature : -40 to +70 Deg.C**
- 1-14. Bearing System : Precise ball bearing system**
- 1-15. Weight : 260g**
- 1-16. Safety : UL/CSA/TUV/CE Approvals**
- 1-17. Vibration : Vibration of acceleration 1.5G and Frequency 5~50~5Hz is applied in the 3 directions(X,Y,Z) for 30 minutes, each Direction at the cycle of 1 minute.**

建準電機工業股份有限公司 SUNONWEALTH ELECTRIC MACHINE INDUSTRY CO., LTD	SPEC. NO.	A800019	REVISE DATE	08. 19. 2002
	ISSUE DATE	03. 18. 1996	E D I T I O N	1
	P A G E	3 O F 6		

MODEL : SF23080A

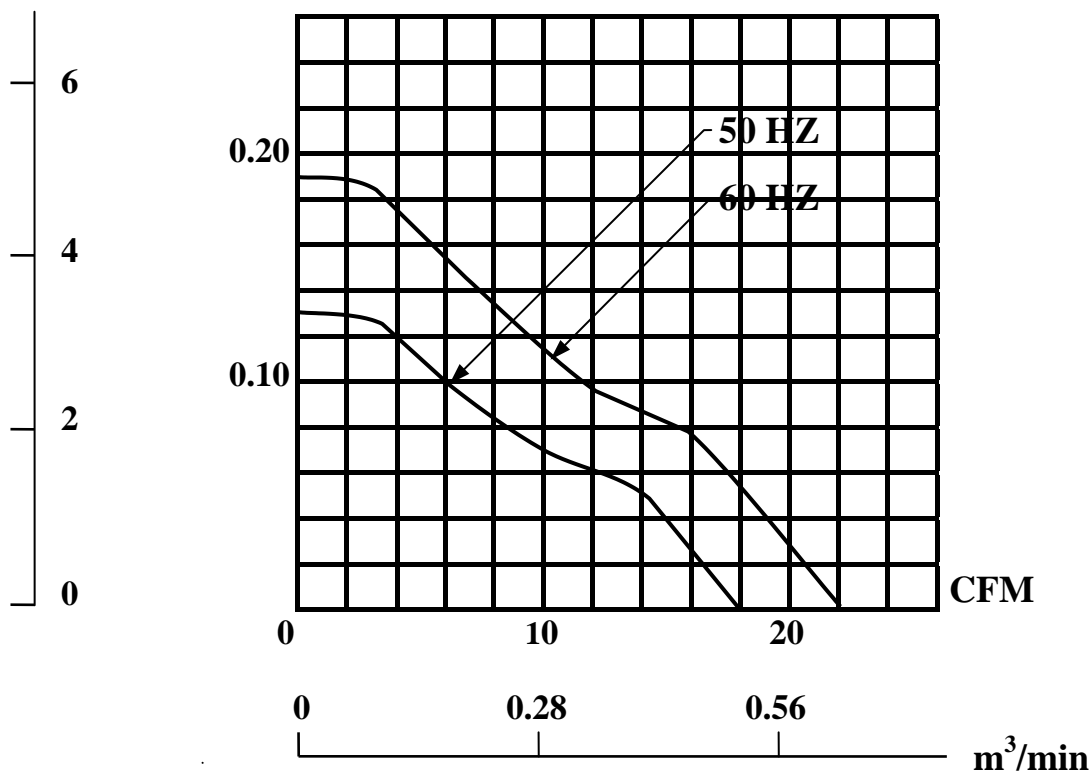
P/N : 2082HBL

PERFORMANCE CURVES

**STATIC
PRESSURE**

mm-H₂O

Inch-H₂O

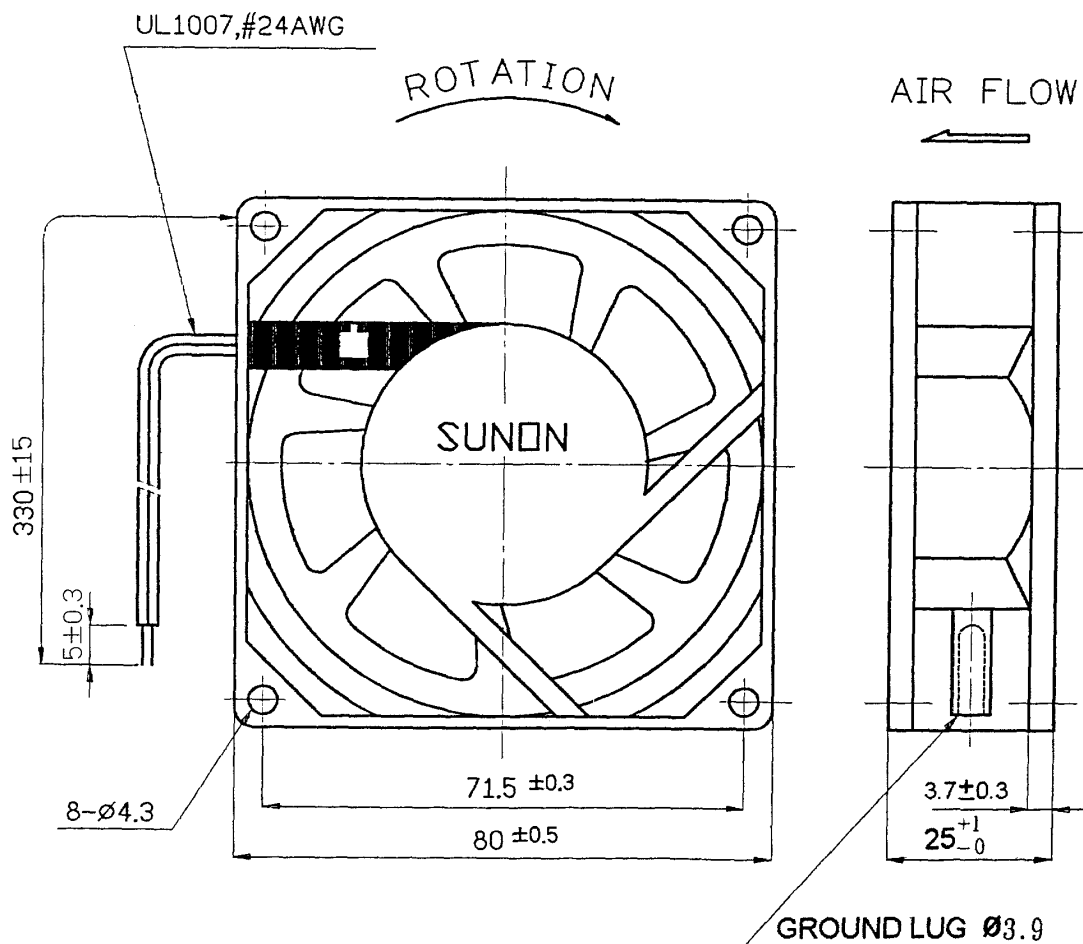


MATERIAL

2. Material

- 2-1. Frame : DIE-CAST ALUMINUM
- 2-2. Impeller : Thermoplastic PBT of UL 94V-0
- 2-3. Lead Wire : UL1007,24AWG

DIMENSIONS



- 1. Air Flow Direction: Label side.
- 2. The Best Mounting Direction: In any orientation.

UNITS : mm

建準電機工業股份有限公司 SUNONWEALTH ELECTRIC MACHINE INDUSTRY CO., LTD	SPEC. NO.	A800019	REVISE DATE	08. 19. 2002
	ISSUE DATE	03. 18. 1996	EDITION	1
	PAGE	5 OF 6		

Notes

1. SUNON will not guarantee the products if the application conditions exceed those set out in this specification.
2. A written request should be submitted to SUNON prior to acceptance if deviation from this specification is required.
3. Caution should be exercised when handling the fan. Damages may be resulted when apply pressure to the impeller or hold the fan by the lead wires.
4. No guarantee on the products against the safety problem or failure caused by powder dust, drop of water or insect.
5. This specification sheet precedes all other information and should be used as the principal reference for the product to which it refers.
6. To satisfy the SUNON Management Information System, please indicate SPEC. NO. on every order.
7. It is important that the correct polarity is established before connecting the fan to the electrical supply. Black (0V) , Red(+V). If cautions is not taken, immediate damage may occur on fans that do not have polarity protection.
8. SUNON fans are not suitable to be used in an environment that contains aggressive or corrosive fluids.
9. Always ensure that fans are stored according to the storage temperatures specified. Do not store in an environment with a high humidity level. If the fans were stored for longer than 6 months, it is highly recommended to apply functional testing before shipping.
10. Not all fans incorporate the Lock Rotor Protection feature. For fans that do not incorporate this feature it is important not to prevent the rotation of the impeller. Doing so, will lead to failure.
11. During installation, caution should be taken when mounting the fan. Incorrect mounting can cause excess resonance, vibration and noise.
12. During testing it is important to consider safety at all times. A suitable guard should be fitted to the fan to prevent personal injury.
13. Unless otherwise stated, all tests are carried out at relative temperature and humidity conditions of 25°C , 65%.

建準電機工業股份有限公司 SUNONWEALTH ELECTRIC MACHINE INDUSTRY CO., LTD.	SPEC.NO	A800019	REVISE DATE	08. 19. 2002
	ISSUE DATE	03. 18. 1996	E D I T I O N	1
	P A G E	6 O F 6		