

SIB Series
single-in-line Strips
breakable and solid insulator available
Unless otherwise specifically requested, the strips will be delivered either in solid or breakable plastic depending on availability of the insulator bodies.

breakable shown solide shown

2.50

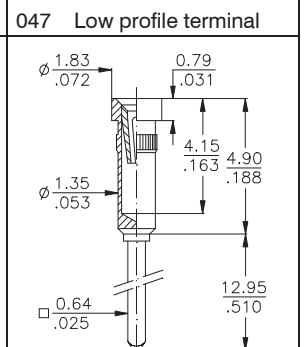
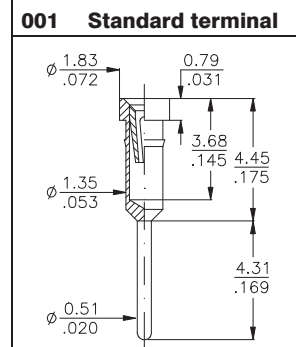
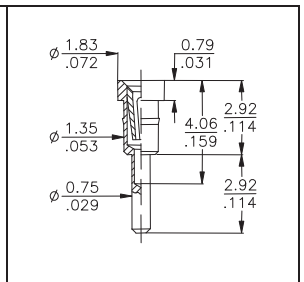
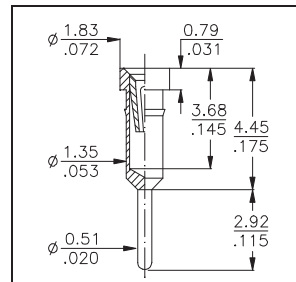
"head flush" "head above"

SIB Series
Standard "head flush"
SIB-1xx-Fxxx-xx

Alternative: "head above"
SIB-1xx-Sxxx-xx

Number of contacts standard breakable sizes
20; 32 and 40

Number of contacts either breakable or solid available
from **02 to 40**



DIS & TIS Series
dual and triple row 2,54mm grid

2.54 5.00

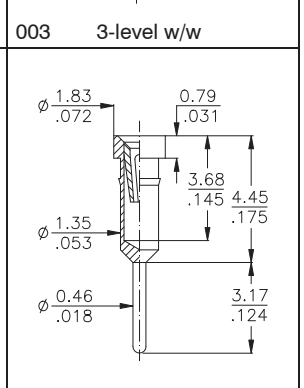
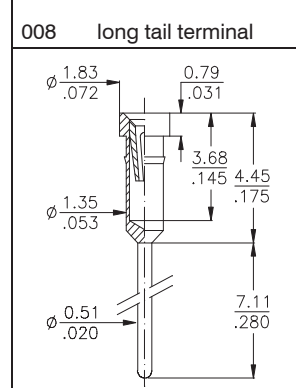
2.54

DIS Series
DIS-2xx-Fxxx-xx

Number of contacts available
from **04 to 80**

TIS Series
TIS-3xx-Exxx-xx

Number of contacts available
from **06 to 96**



Strips
Other lengths & pin-outs available on request.

Specifications
refer to page 49 of this catalogue

Terminals
For other terminal styles please refer to the pages 46 to 48 of this catalogue or contact your closest sales office.

How to order

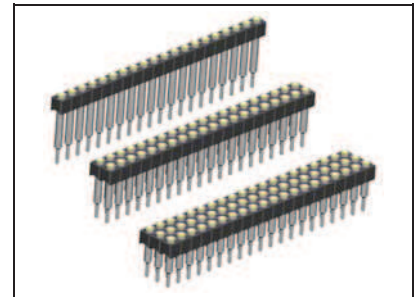
XXX - xxx - X xxx - xx

Series SIB = single-in-line strips DIS = dual-in-line strips... TIS = triple-in-line strips...	Rows 1 2 3	Nbr of contacts see above table	Insulator F = head flush S = head above E = Epoxy FR4 TIS Series only	Terminal style see drawings above or refer to pages 46 to 48 of this catalogue for other types.	Plating - 95 = tin/gold - 55 = gold/gold - 99 = tin/tin (tin is leadfree)
--	--	---	--	--	--

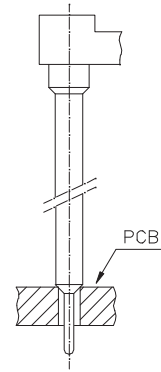


Board Stacker Terminals

<p>079</p>	<p>623</p>	<p>062</p>
<p>060</p>	<p>063</p>	<p>080</p>
<p>084</p>	<p>085</p>	<p>088</p>
<p>065</p>	<p>Many other terminals and custom specific terminal styles are available on request, or refer to the pages 46 to 48 of this catalogue.</p>	

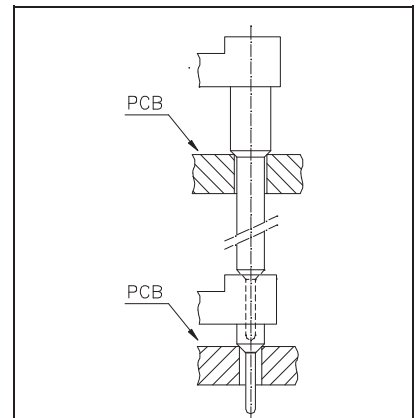


Application Examples



Possible Terminals:

060; 062; 063; 065; 079
080; 084; 085; 088; 623



Possible Terminals:

060; 062; 063; 079; 623

Specifications

See page 49 of this catalogue

How to order

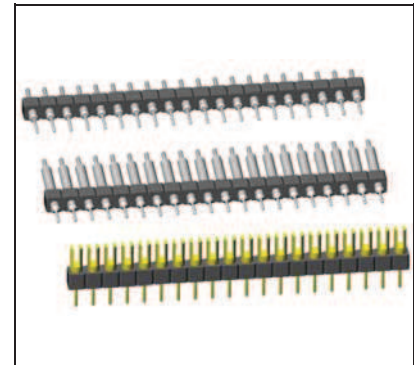
XXX - x xx - X xxx - 95

<p>Series SIB = single-in-line strips. DIS = dual-in-line strips... TIS = triple-in-line strips..</p>	<p>Rows 1 2 3</p>	<p>Nbr of contacts 1-row = 02 to 40 2-row = 04 to 80 3-row = 06 to 96</p>	<p>Insulator see socket strip page 5</p>	<p>Terminal style see drawings above or refer to pages 46 to 48 of this catalogue for other types.</p>	<p>Plating - 95 = tin/gold (tin leadfree) other on request</p>
--	--	---	--	--	--

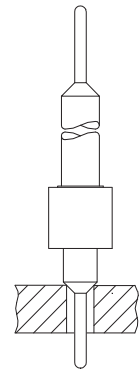


Board to Board Terminals

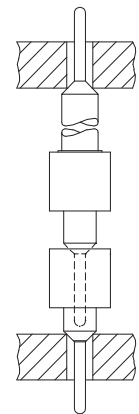
<p>077</p>	<p>057</p>	<p>037</p>
<p>058</p>	<p>059</p>	<p>056</p>
<p>542</p>	<p>038</p>	<p>353</p>
<p>036</p>	<p>Many other terminals and custom specific terminal styles are available on request, or refer to the pages 46 to 48 of this catalogue.</p>	



Application Examples



Possible Terminals:
037; 056; 057; 058; 059
077; 220; 542; 544
562; 583; 770



Possible Terminals:
037; 056; 057; 058; 059
077; 078; 542; 544
562; 583; 770

How to order

XXX - x xx - X xxx - xx

<p>Series SIB = single-in-line strips. DIS = dual-in-line strips... TIS = triple-in-line strips...</p>	<p>Rows 1 2 3</p>	<p>Nbr of contacts 1-row = 02 to 40 2-row = 04 to 80 3-row = 06 to 96</p>	<p>Insulator S = Plastic E = Epoxy FR4 (TIS Series only) dimension see socket strip page 5</p>	<p>Terminal style see drawings above or refer to pages 46 to 48 of this catalogue for other types.</p>	<p>Plating - 55 = gold - 99 = tin (leadfree)</p>
---	--	---	---	---	---