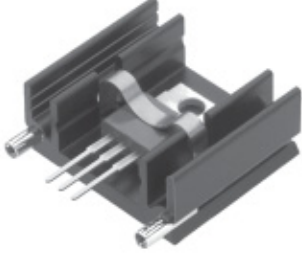

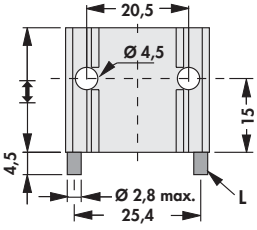



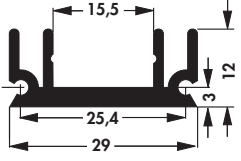
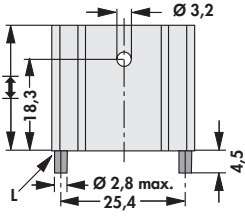
A

Extruded heatsinks for PCB mounting

- for semiconductor clip-mounting
- profile **SK 145** → A 73
- special lengths and drillings on request
- **L** = solderable pins

				
art. no.	l [mm]	R _{th} [K/W]	⌀	version
SK 145 25 STC	25	13.5	TO 218/ TO 220/ TO 247/ TO 248	with solder pins
SK 145 30 STC	30	12.4	TO 218/ TO 220/ TO 247/ TO 248	with solder pins
SK 145 50 STC	50	10.0	TO 218/ TO 220/ TO 247/ TO 248	with solder pins
surface:		black anodised		

- for semiconductor screw-mounting
- profile **SK 145** → A 73
- special lengths and drillings on request
- **L** = solderable pins

				
art. no.	l [mm]	R _{th} [K/W]	⌀	version
SK 145 25 STS TO 220	25.0	13.5	TO 218/ TO 220/ TO 247/ TO 248	with solder pins
SK 145 37,5 STS TO 220	37.5	12.0	TO 218/ TO 220/ TO 247/ TO 248	with solder pins
SK 145 50 STS TO 220	50.0	10.0	TO 218/ TO 220/ TO 247/ TO 248	with solder pins
surface:		black anodised		

B

C

D

E

F

G

H

I

K

L

M

N

A 105

Lock-in transistor fixing spring
 Profiles for PCB components
 Vibration dampers
 Heatsinks with threaded rail

→ A 117 – 119 Miniature distance sleeves
 → A 91 Thermal conductive glue
 → E 39 Thermal conductive paste
 → A 92 Technical introduction

→ E 32
 → E 21 – 22
 → E 19 – 20
 → A 2 – 7