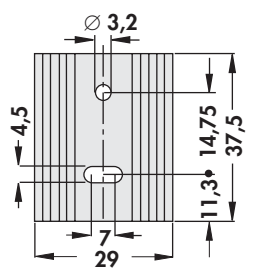
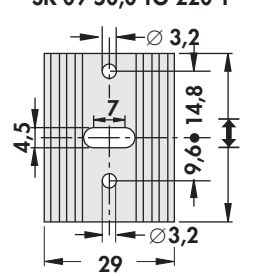
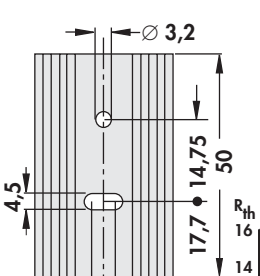
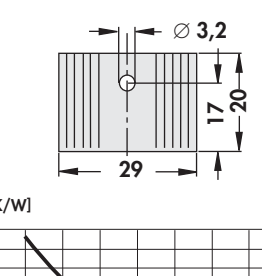
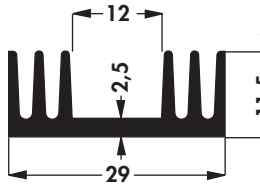
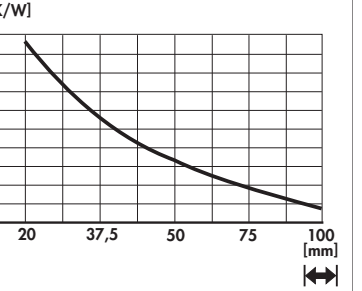





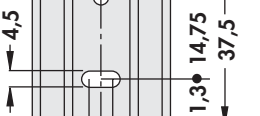
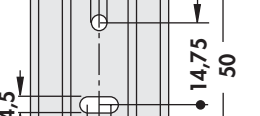
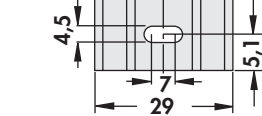
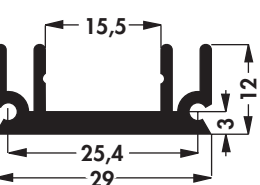
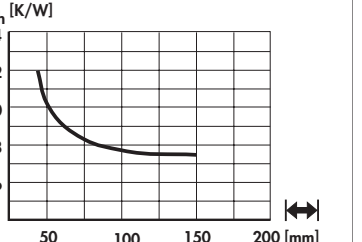
Standard extruded heatsinks

<p>art. no.</p>	<p>SK 09 37,5 TO 220</p> 	<p>SK 09 37,5 TO 220 1 SK 09 50,0 TO 220 1</p> 	<p>SK 09 50 TO 220</p> 	<p>SK 09 20 TO 220</p> 
<p>SK 09 ...</p> 				
<p>please indicate: ... [] 20 25 37.5 50 1000 mm</p>				
<p>... [] (optional) K; TO 220</p>				
				

SK 09 ...

please indicate: ... [] 20 25 37.5 50 1000 mm

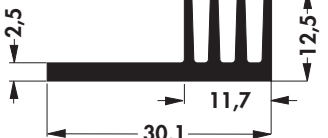
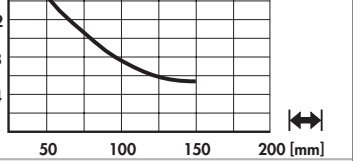
... [] (optional) K; TO 220

<p>art. no.</p>	<p>SK 145 20 TO 220</p> 	<p>SK 145 37,5 TO 220</p> 	<p>SK 145 50 TO 220</p> 	<p>SK 145 25 TO 220</p> 
<p>SK 145 ...</p> 				
<p>please indicate: ... [] 20 25 37.5 50 1000 mm</p>				
<p>... [] (optional) K; TO 220</p>				
				

SK 145 ...

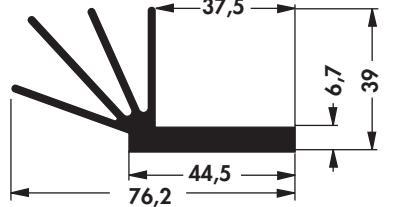
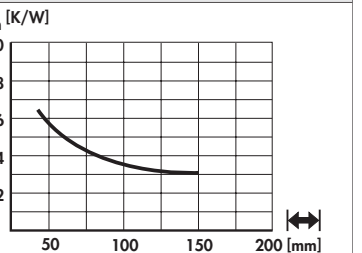
please indicate: ... [] 20 25 37.5 50 1000 mm

... [] (optional) K; TO 220

<p>art. no.</p>		
-----------------	---	---

SK 443 ...

please indicate: ... [] 37.5 75 100 1000 mm

<p>art. no.</p>		
-----------------	---	---

SK 173 ...

please indicate: ... [] 1000 mm

- High decorative surfaces → A 9
- Order example → A 21
- Heatsink as visual & decor-parts → A 10
- Drilling pattern for Solid State Relais → A 12

- Heatsinks for Solid State Relay → A 11 - 12
- Heatsink special design → A 135 - 136
- Special profiles → A 138
- Technical introduction → A 2 - 7