
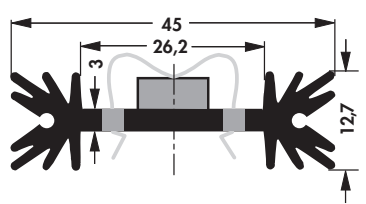
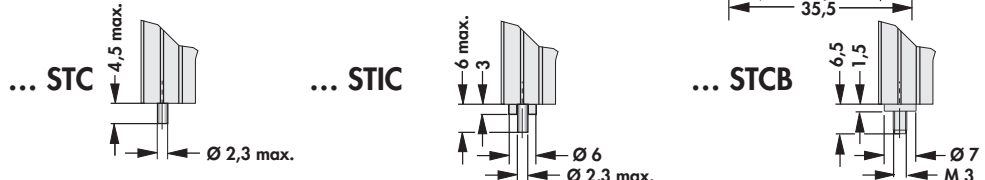


Extruded heatsinks for PCB mounting

- for semiconductor clip-mounting
- special lengths and transistor drillings on request
- **P** = raised retaining stud, **E** = mounting method


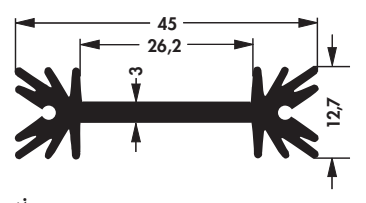
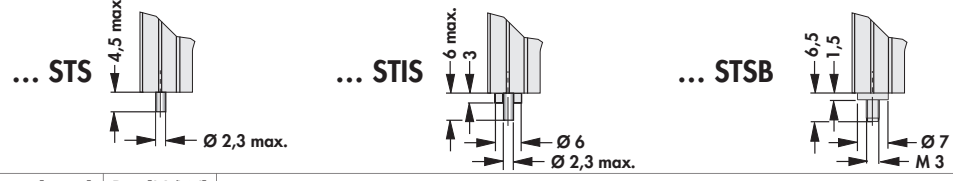




art. no.	l [mm]	R _{th} [K/W]	⌀
SK 409 25,4 ...	25.4	8.2	TO 220/ TO 3 P
SK 409 38,1 ...	38.1	7.0	TO 220/ TO 3 P
SK 409 50,8 ...	50.8	6.2	TO 220/ TO 3 P
SK 409 63,5 ...	63.5	5.6	TO 220/ TO 3 P

please indicate: ... mounting method
STC = with solder pin
STIC = with solder pin and insulating washer
STCB = with threaded bolt M 3, brass

surface: black anodised

- for semiconductor screw-mounting
- special lengths and transistor drillings on request
- **E** = mounting method

art. no.	l [mm]	R _{th} [K/W]	⌀
SK 409 25,4 ...	25.4	8.2	TO 220/ TO 3 P
SK 409 38,1 ...	38.1	7.0	TO 220/ TO 3 P
SK 409 50,8 ...	50.8	6.2	TO 220/ TO 3 P
SK 409 63,5 ...	63.5	5.6	TO 220/ TO 3 P

please indicate: ... mounting method
STS = with solder pin
STIS = with solder pins and insulating washer
STSB = with threaded bolt M 3, brass

surface: black anodised