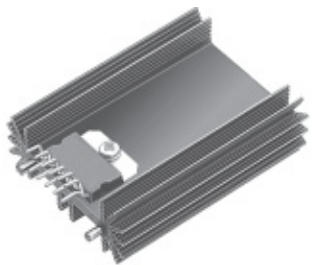
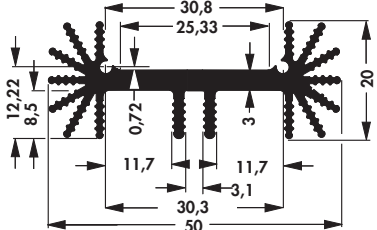
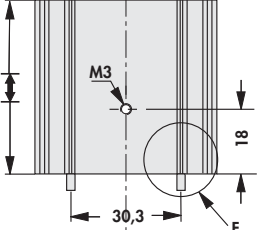
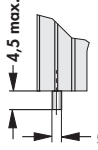
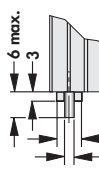
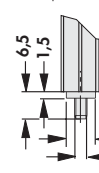



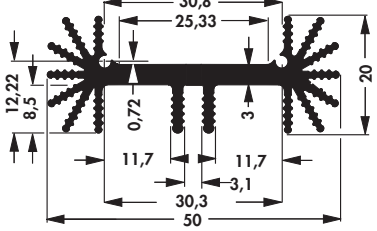
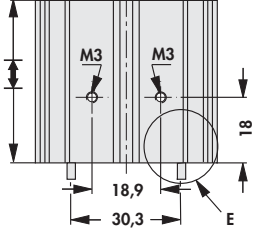
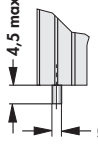
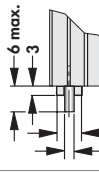
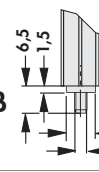
A

Extruded heatsinks for PCB mounting

- for semiconductor screw-mounting
- special lengths and transistor drillings on request
- **E** = mounting method

			
	 <p>... STS</p>	 <p>... STIS</p>	 <p>... STSB</p>
art. no.	l [mm]	R _{th} [K/W]	⚡
SK 459 25 M ...	25.0	7.9	SIP Multiwatt
SK 459 37,5 M ...	37.5	6.3	SIP Multiwatt
SK 459 50 M ...	50.0	5.6	SIP Multiwatt
<p>please indicate:</p> <p>... mounting method</p> <p>STS = with solder pin</p> <p>STIS = with solder pins and insulating washer</p> <p>STSB = with threaded bolt M3, brass</p>			
surface:		black anodised	

- for semiconductor screw-mounting
- with **combination-hole pattern** for mounting of 2 x TO 220 or 2 x SOT 32
- special lengths and transistor drillings on request
- **E** = mounting method

			
	 <p>... STS</p>	 <p>... STIS</p>	 <p>... STSB</p>
art. no.	l [mm]	R _{th} [K/W]	⚡
SK 459 25 2 x TO 220 ...	25.0	7.9	2 x SOT 32/ 2 x TO 220
SK 459 37,5 2 x TO 220...	37.5	6.3	2 x SOT 32/ 2 x TO 220
SK 459 50 2 x TO 220 ...	50.0	5.6	2 x SOT 32/ 2 x TO 220
<p>please indicate:</p> <p>... mounting method</p> <p>STS = with solder pin</p> <p>STIS = with solder pins and insulating washer</p> <p>STSB = with threaded bolt M3, brass</p>			
surface:		black anodised	

N

A 101

Lock-in transistor fixing spring
 Profiles for PCB components
 Vibration dampers
 Heatsinks with threaded rail

→ A 117 – 119
 → A 91
 → E 39
 → A 92

Miniature distance sleeves
 Thermal conductive glue
 Thermal conductive paste
 Technical introduction

→ E 32
 → E 21 – 22
 → E 19 – 20
 → A 2 – 7