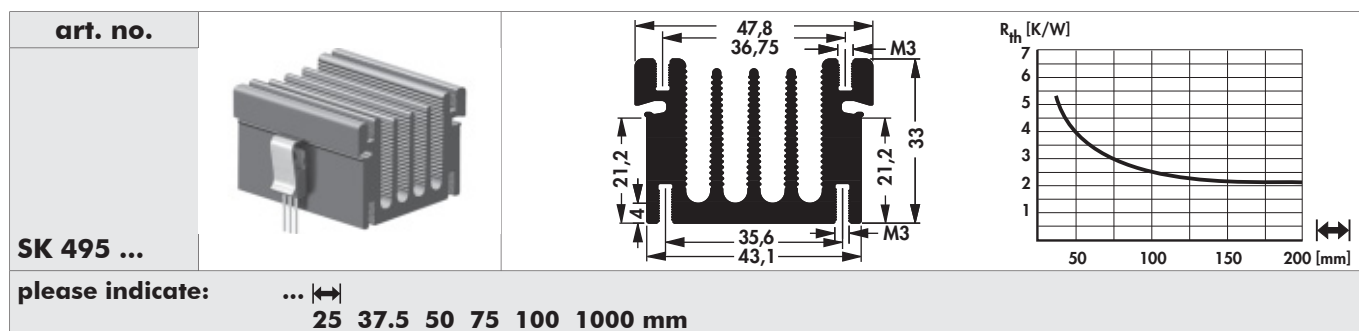


A

Extruded heatsinks for lock-in retaining spring

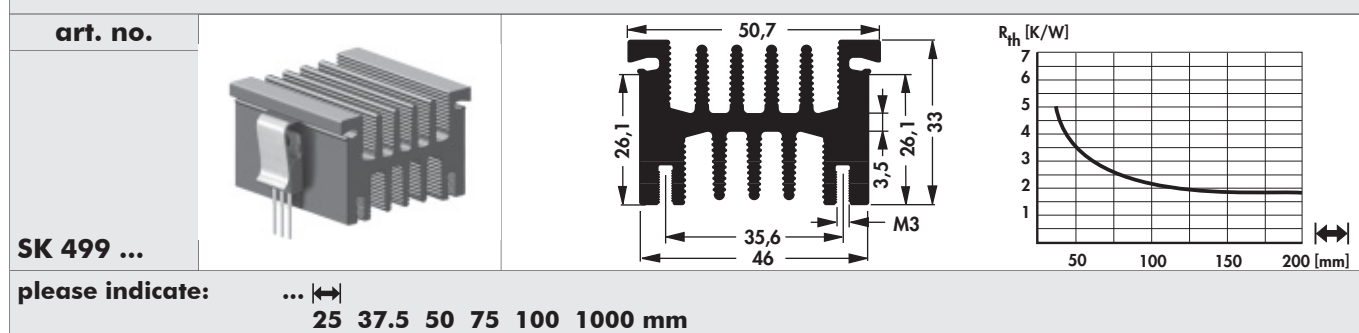
B

C



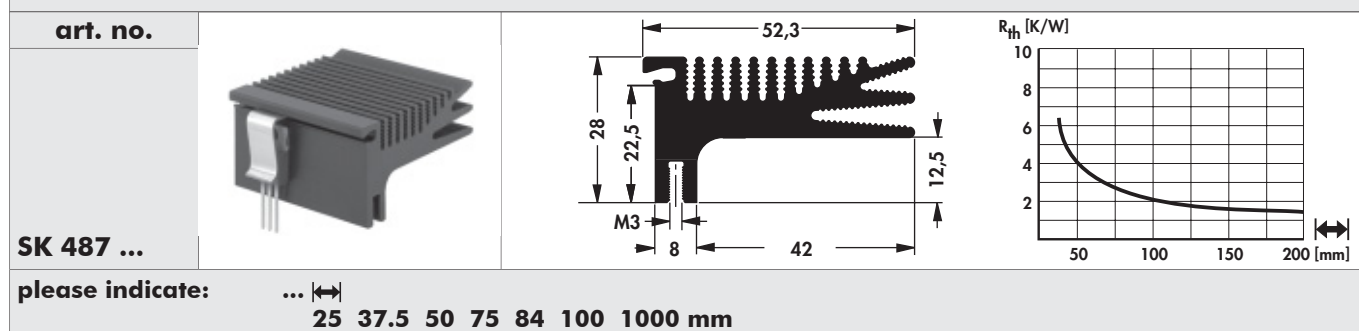
D

E



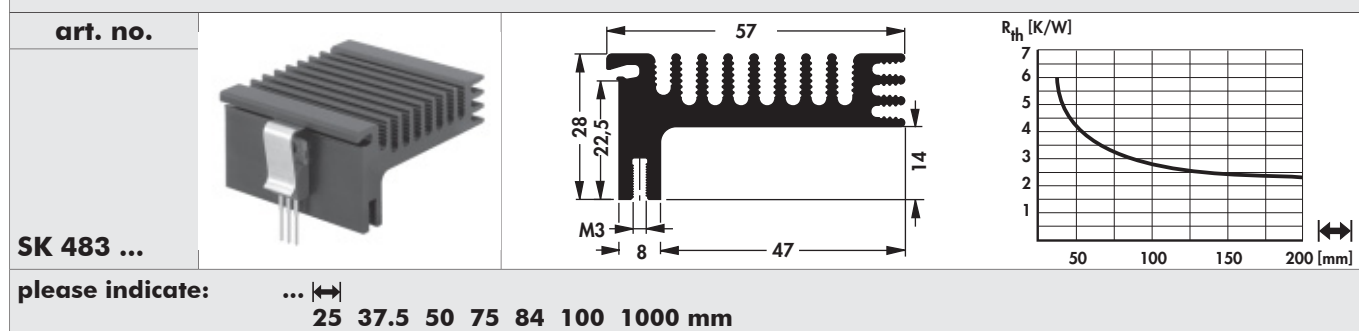
F

G



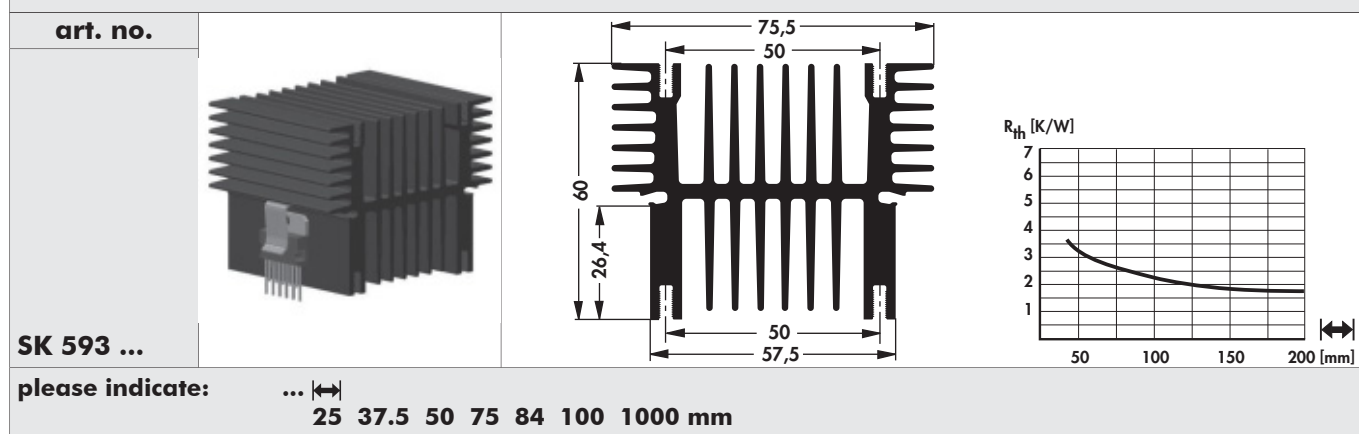
H

I



K

L



M

please note: profile threads → A 4

N

A 87

Mounting parts for heatsinks
 Insulating caps
 Mounting pads
 Lock-in transistor fixing spring

→ E 47 – 48 Heatsinks for PCB
 → E 49 Profiles for PCB components
 → E 44 Heatsinks with threaded rail
 → A 117 – 119 Technical introduction

→ A 89
 → A 91
 → A 92
 → A 2 – 7