
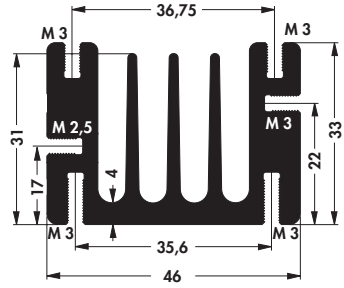
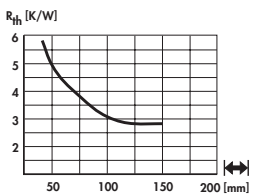

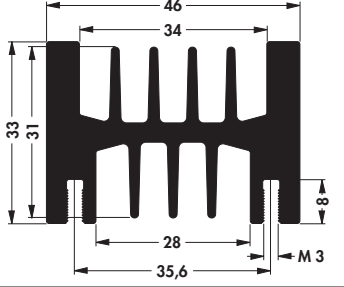
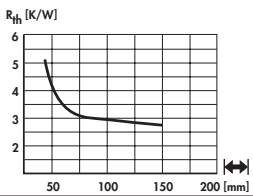



Extruded heatsinks for PCB mounting
Heatsinks for printed circuit boards

- matching cylindrical screws according to DIN 84 with zinc coated surface
- M 3 thread diameter: 2.90 ... 2.94 mm (**art. no.: SZ M 3 x 8**)
- screw-in solder pin M 3 (**art. no.: ELS 3**)

art. no. SK 68 ...			
art. no. SK 112 ...			
please indicate: ...  37.5 50 75 94 100 1000 mm			

please note: profile threads → A 4

A 89

Lock-in transistor fixing spring
 Profiles for PCB components
 Vibration dampers
 Heatsinks with threaded rail

→ A 117 - 119 Miniature distance sleeves
 → A 91 Thermal conductive glue
 → E 39 Thermal conductive paste
 → A 92 Technical introduction

→ E 32
 → E 21 - 22
 → E 19 - 20
 → A 2 - 7