

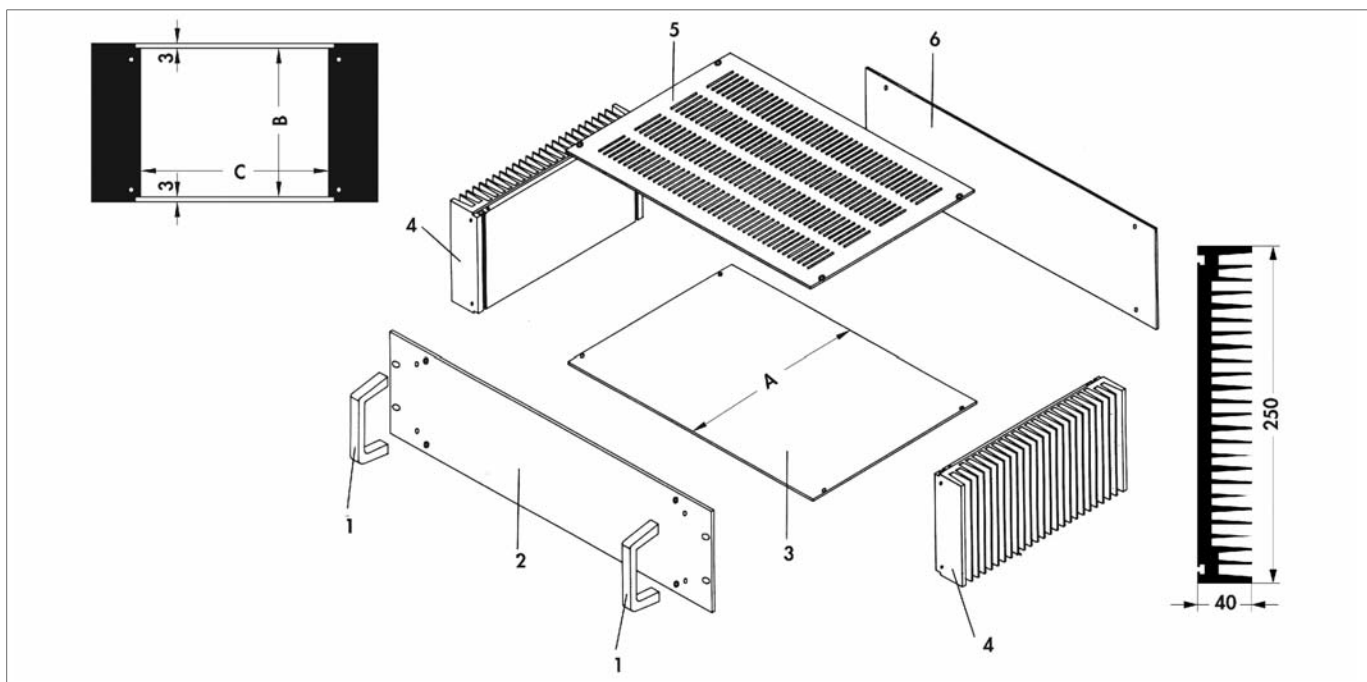
19" Plug-in box with integrated cooling fins



- 19" plug-in box **SKE** for application of non-standardised components
- with side panels of extruded heatsink **SK 91**, CNC-machined on request
- sliding-screw channels in the profiles permit the application of a mounting panel
- cover panel equipped with ventilation slots as a standard feature, bottom panel closed
- all plug-in boxes equipped with handles
- particularly stable design
- **surface:** front panel and handle are clear anodised; side panel profile, cover and bottom plate as well as the rear panel are black anodised

contents of delivery: front panel (4 mm) with handles, 2 side panels consisting of extruded heatsinks, bottom and cover plate (3 mm), rear panel (3 mm)

1 = handle; **2** = front panel (4 mm); **3** = bottom panel; **4** = side panel profile; **5** = cover panel; **6** = rear panel (3 mm)



art. no.	U	dim. [mm]				art. no.	U	dim. [mm]			
		A	B	C	ET			A	B	C	ET
SKE 1 250	1	250	37.6	355.8	253	SKE 1 400	1	400	37.6	355.8	403
SKE 2 250	2	250	82.1	355.8	253	SKE 2 400	2	400	82.1	355.8	403
SKE 3 250	3	250	126.5	355.8	253	SKE 3 400	3	400	126.5	355.8	403
SKE 4 250	4	250	171.0	355.8	253	SKE 4 400	4	400	171.0	355.8	403
SKE 5 250	5	250	215.4	355.8	253	SKE 5 400	5	400	215.4	355.8	403
SKE 6 250	6	250	259.9	355.8	253	SKE 6 400	6	400	259.9	355.8	403

ET = plug-in depth

side panel profile: **SKE ... 250 (SK 91); SKE ... 400 (SK 93)**

Profiles for 19" plug-in boxes

Profiles for 19" front panels

Profile for mechanical engineering

19" front panels

→ N 73

→ N 72 - 73

→ N 73

→ N 67

Profiles for case construction

EMC-extensions "RackCase"

Unitized 19" subracks

19" benchtop cases

→ N 73

→ N 16

→ N 21 - 22

→ N 17

N 10

A

B

C

D

E

F

G

H

I

K

L

M

N