
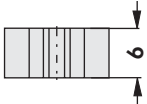

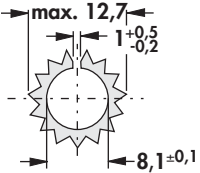

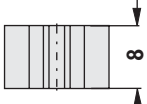

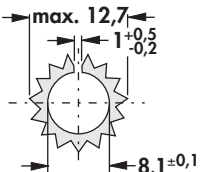

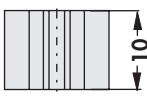

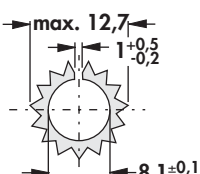

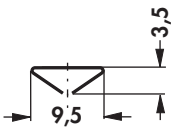

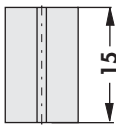

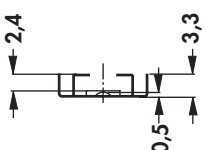

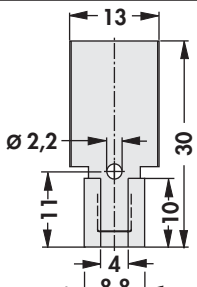


Small heatsinks

art. no. SKK 56			63 K/W  TO 5	
art. no. SKK 58			55 K/W  TO 5	
art. no. SKK 510			44 K/W  TO 5	
material:		aluminium		
surface:		etched (other surfaces on request)		
art. no. KK 92			80 K/W  TO 126 SOT 32 SOT 82	
art. no. KK 32			60 K/W  TO 126 SOT 32 SOT 82	
material:		special bronze Cu Zn 6		
surface:		blackened		