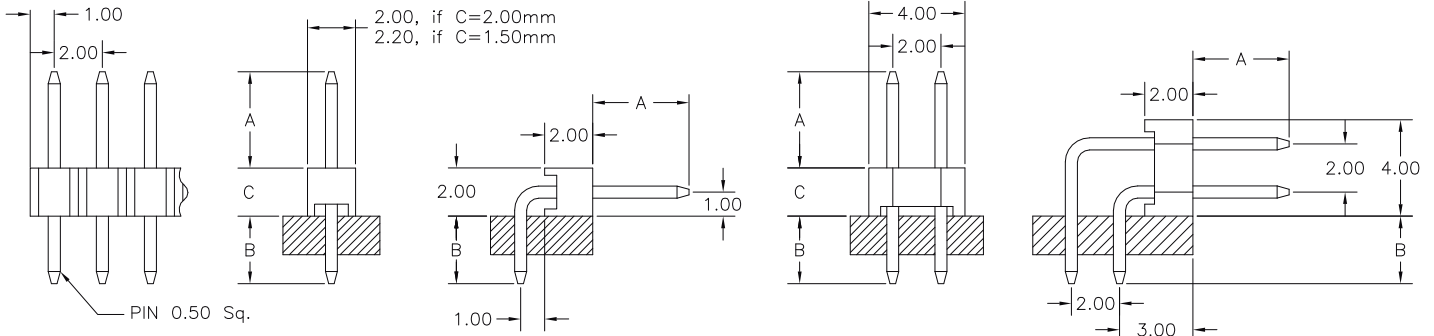
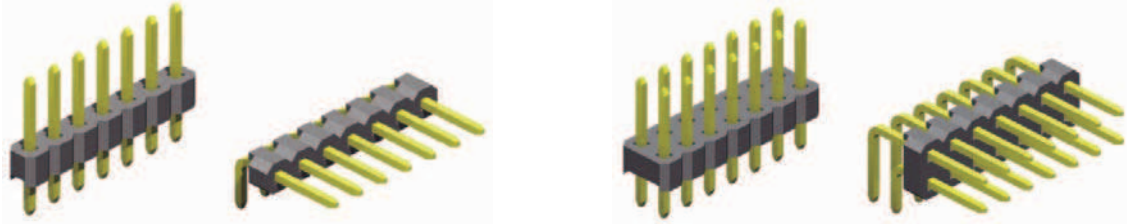


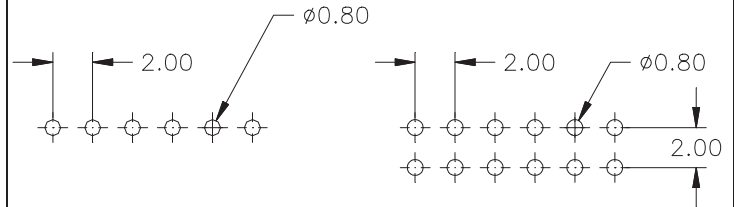
2.00mm pitch Pin Header
 - THT - straight & right angle



SPECIFICATIONS

Current rating	1 A
Insulator resistance	1000 MΩ min.
Withstanding voltage	500 V AC
Operating temperature	- 40°C to +105°C
Contact material	(RoHS compliant) Copper alloy
Insulator material	(RoHS compliant) P.B.T. or Nylon UL 94 V-0
	Standard : P.B.T.

PCB Hole Layout



APPLICATION AND FEATURES

Side and end stackable.
 Variable terminal lengths as well as two insulator thicknesses available for the straight type.
 Notches for easy breaking.
 Straight type with standoff's for post solder cleaning.

How to order

SL x - xxx - X xxx/xx - 55 /2

Rows	Nbr of pins	Insulator style	DIM "C"	Code	Pin code	DIM "A"	DIM "B"	Plating
1 = single row	002 to 040	straight	2.00 mm	S = P.B.T. N = Nylon	088/01: 4.00 mm 088/02: 6.00 mm 088/03: 6.80 mm 088/04: 4.00 mm 088/05: 3.70 mm	2.80 mm 2.80 mm 3.00 mm 4.00 mm 5.00 mm	55 = gold (standard) 99 = tin (leadfree tin) Other platings on request	
			1.50 mm	B = Nylon	096/00: 4.00 mm 096/01: 6.00 mm 096/02: 4.50 mm 096/03: 1.70 mm 096/04: 4.00 mm 096/05: 3.20 mm 096/06: 4.00 mm 096/07: 7.00 mm 096/08: 3.60 mm 096/09: 21.00 mm 096/10: 5.10 mm	2.80 mm 2.10 mm 4.00 mm 8.80 mm 2.30 mm 3.50 mm 4.00 mm 2.20 mm 3.00 mm 2.54 mm 3.00 mm		
2 = dual row	004 to 080	right angle	2.00 mm	R = P.B.T. K = Nylon	106/00: 3.20 mm 106/01: 4.00 mm 106/02: 10.00 mm 106/03: 11.00 mm 106/04: 2.50 mm 106/05: 5.00 mm 106/06: 11.00 mm 106/07: 6.00 mm	3.20 mm 2.80 mm 2.80 mm 2.80 mm 2.80 mm 2.80 mm 2.40 mm 2.80 mm		
					Other dimensions on request			