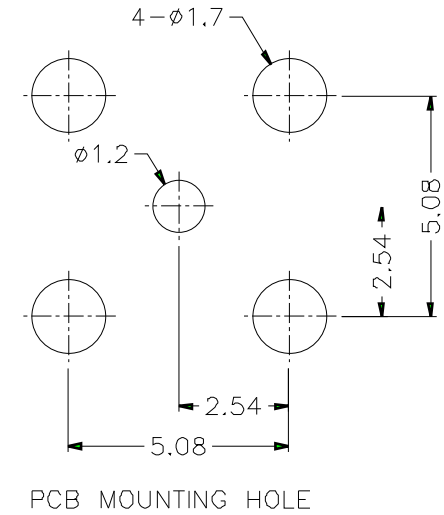
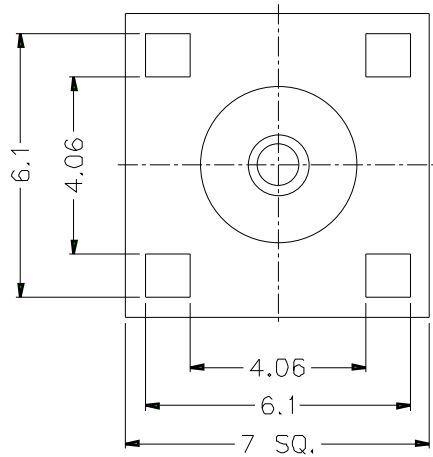
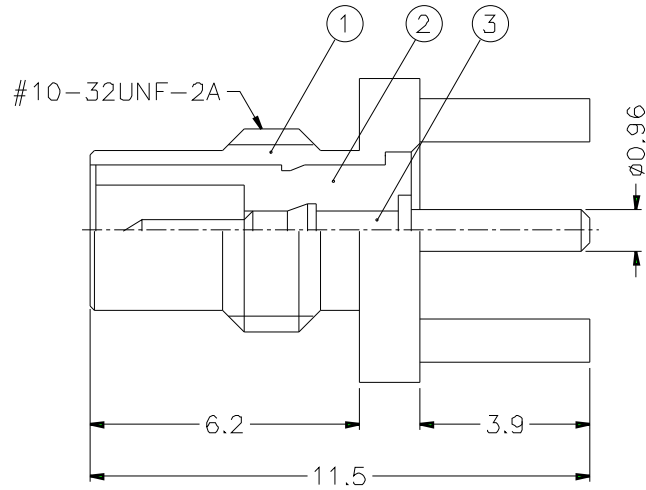


1			2			3			4			5			6			7			8		
REVISIONS																							
ISS	ZONE	DESCRIPTION\PER REQUEST\DATE																					



NOTES: FINISH (PLATING THICKNESS IN MICRO-INCHES)
 1. BRASS PER QQ-B-626
 2. GOLD PL. 3 MIN. THICK OVER NICKEL PL. 100 MIN. THICK OVER COPPER STRIKE
 3. GOLD PL. 30 MIN. THICK OVER NICKEL PL. 100 MIN. THICK OVER COPPER STRIKE
 4. TEFLON MIL-P-19468

DIMENSIONS ARE IN MILLIMETERS
 UNLESS OTHERWISE SPECIFIED TOLERANCES
 0.5-6 = ±0.2
 6-30 = ±0.4
 30-120 = ±0.6
 120-315 = ±1
 315-1000 = ±1.6
 1000-2000 = ±2.4

PART NO.	SMC1251B1-3GT30G-50		
APPROVED	DATE	10-11-01'	
CHECKED	DATE	10-11-01'	
DRAWN	DATE	10-11-01'	

Amphenol	
TITLE	SMC P.C. MOUNT JACK
DRAWING NO.	KJ-SMC1251B1-3GT30G-50
ITEM NO.	

3	CONTACT PIN	NOTE 1	NOTE 3	1	SMC1251B1-3
2	INSULATOR	NOTE 4	NATURAL	1	SMC1251B1-2T-50
1	BODY	NOTE 1	NOTE 2	1	SMC1251B1-1
NO.	DESCRIPTION	MATERIAL	FINISH	Q'TY	DRAWING NO.

SCALE	6/1	ISSUE	A	FILE NO	
-------	-----	-------	---	---------	--