



Elektrotechnik Karl-Heinz Mauz GmbH

SMD-P12A03 (Artikel-Nr. 220075)

EKULIT

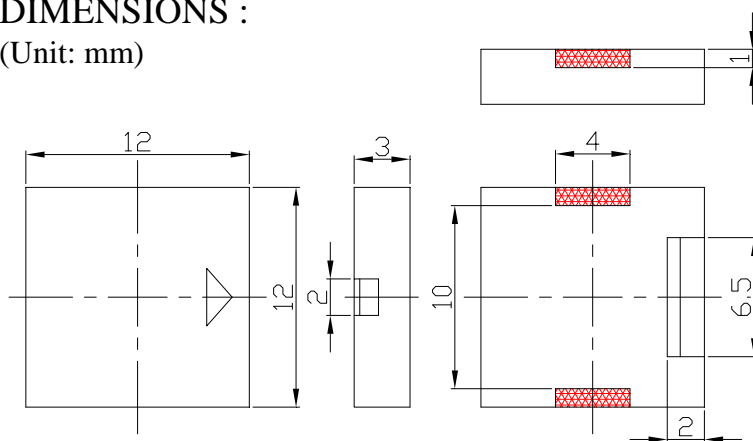
SPECIFICATIONS:

TYPE	UNIT	SMD-P12A03
◆ Min. Sound Output at 10cm	dB	75
Rated Voltage	V _{p-p}	3
Operating Voltage	V _{p-p}	1~25
Resonant Frequency	Hz	4.000±500
◆ Max. Current Consumption	mA	3
Capacitance at 1,000Hz	pF	15.000±30%
Housing material		LCP
Operating Temperature	°C	-20~+70
Storage Temperature	°C	-30~+85
Weight	g	0.4

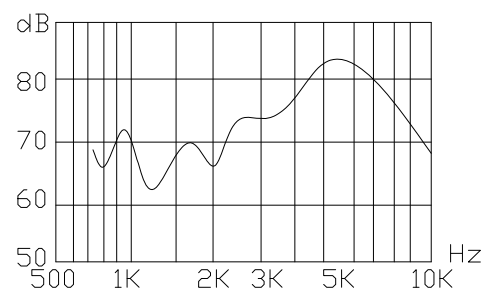
◆ Value applying at rated voltage

DIMENSIONS :

(Unit: mm)



Frequency response :



Adresse: **Felix-Wankel-Str. 35 • 73760 Ostfildern/Nellingen**

Tel: **+49-711/3414023**

Fax: **+49-711/3414024**

E-mail: **info@ekulit.de** Web site: **www.EKULIT.de**