

SN54LS846 THRU SN54LS649 SN74LS646 THRU SN74LS649 OCTAL BUS TRANSCEIVERS AND REGISTERS

SDLS190A – DECEMBER 1982 – REVISED MAY 2004

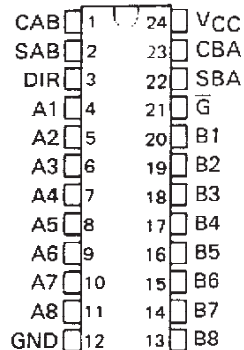
- Independent Registers for A and B Buses
- Multiplexed Real-Time and Stored Data
- Choice of True or Inverting Data Paths
- Choice of 3-State or Open-Collector Outputs
- Included Among the Package Options Are Compact 24-pin 300-mil-Wide Plastic and Ceramic DIPs, Ceramic Chip Carriers, and Plastic "Small Outline" Packages
- Dependable Texas Instruments Quality and Reliability

DEVICE	OUTPUT	LOGIC
'LS646	3-State	True
'LS647	Open-Collector	True
'LS648	3-State	Inverting
'LS649	Open-Collector	Inverting

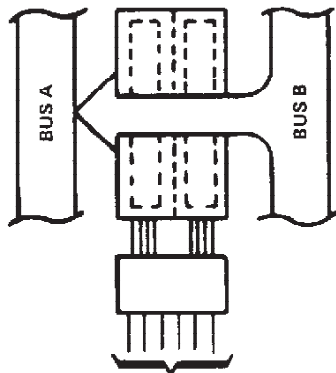
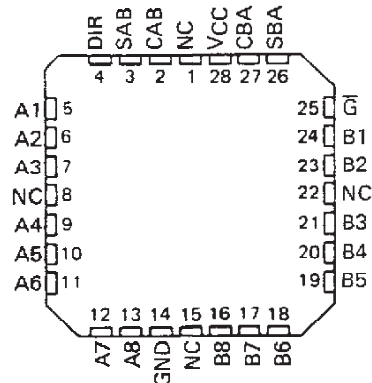
description

These devices consist of bus transceiver circuits with 3-state or open-collector outputs, D-type flip-flops, and control circuitry arranged for multiplexed transmission of data directly from the input bus or from the internal registers. Data on the A or B bus will be clocked into the registers on the low-to-high transition of the appropriate clock pin (CAB or CBA). The following examples demonstrate the four fundamental bus-management functions that can be performed with the octal bus transceivers and registers.

SN54LS' . . . JT PACKAGE
SN74LS' . . . DW OR NT PACKAGE
(TOP VIEW)

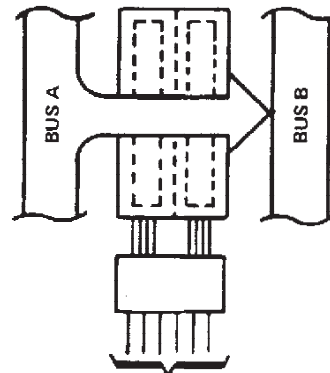


SN54LS' . . . FK PACKAGE
(TOP VIEW)



(21)	(3)	(1)	(23)	(2)	(22)
\bar{G}	DIR	CAB	CBA	SAB	SBA
L	L	X	X	X	L

REAL-TIME TRANSFER
BUS B TO BUS A



(21)	(3)	(1)	(23)	(2)	(22)
\bar{G}	DIR	CAB	CBA	SAB	SBA
L	H	X	X	L	X

REAL-TIME TRANSFER
BUS A TO BUS B



Please be aware that an important notice concerning availability, standard warranty, and use in critical applications of Texas Instruments semiconductor products and disclaimers thereto appears at the end of this data sheet.

PRODUCTION DATA information is current as of publication date. Products conform to specifications per the terms of Texas Instruments standard warranty. Production processing does not necessarily include testing of all parameters.

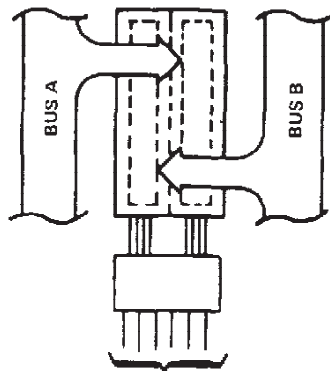
 **TEXAS
INSTRUMENTS**

POST OFFICE BOX 655303 • DALLAS, TEXAS 75265

Copyright © 2004, Texas Instruments Incorporated

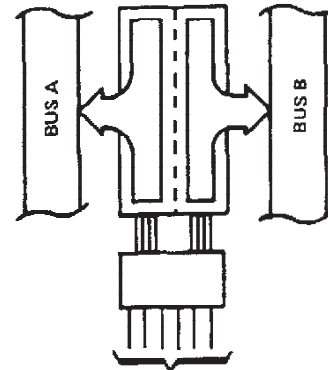
SN54LS646 THRU SN54LS649, SN74LS646 THRU SN74LS649 OCTAL BUS TRANSCEIVERS AND REGISTERS

SDLS190A – DECEMBER 1982 – REVISED MAY 2004



(21)	(3)	(1)	(23)	(2)	(22)
\bar{G}	DIR	CAB	CBA	SAB	SBA
X	X	↑	X	X	X
X	X	X	↑	X	X
H	X	↑	↑	X	X

STORAGE FROM
A, B, OR A AND B



(21)	(3)	(1)	(23)	(2)	(22)
\bar{G}	DIR	CAB	CBA	SAB	SBA
L	L	X	HorL	X	H
L	H	HorL	X	H	X

TRANSFER
STORED DATA
TO A OR B

Enable (\bar{G}) and direction (DIR) pins are provided to control the transceiver functions. In the transceiver mode, data present at the high-impedance port may be stored in either register or in both. The select controls (SAB and SBA) can multiplex stored and real-time (transparent mode) data. The direction control determines which bus will receive data when enable \bar{G} is active (low). In the isolation mode (control \bar{G} high), A data may be stored in one register and/or B data may be stored in the other register.

When an output function is disabled, the input function is still enabled and may be used to store and transmit data. Only one of the two buses, A or B, may be driven at a time.

The SN54' family is characterized for operation over the full military temperature range of -55°C to 125°C . The SN74' family is characterized for operation from 0° to 70°C .

FUNCTION TABLE

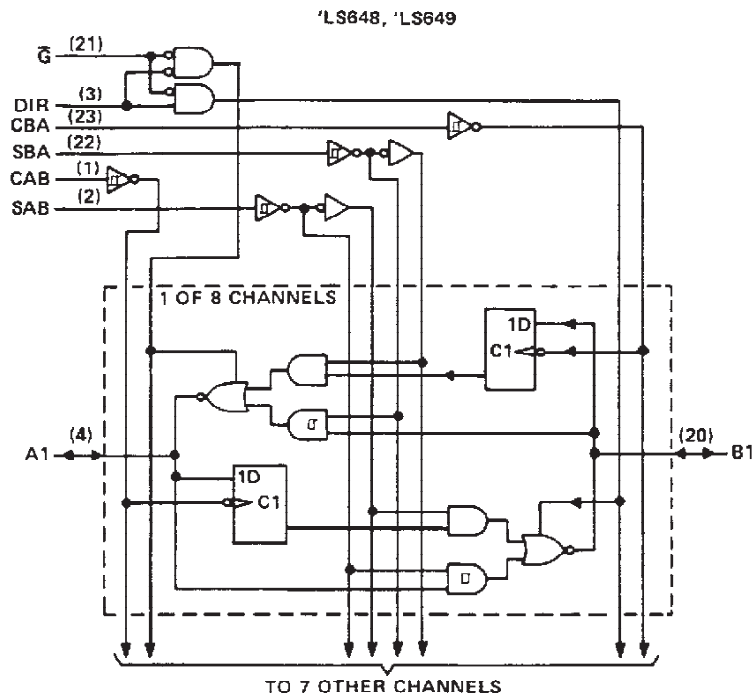
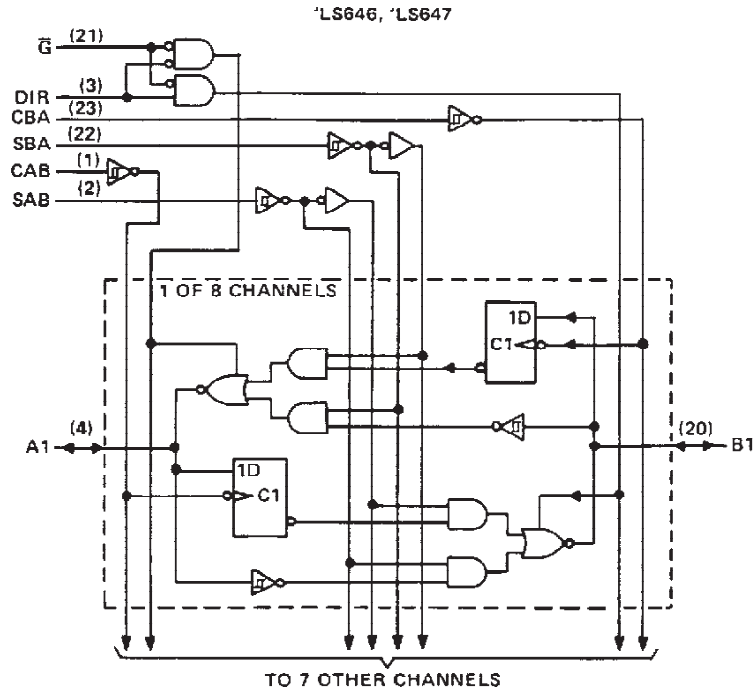
INPUTS						DATA I/O†		OPERATION OR FUNCTION	
\bar{G}	DIR	CAB	CBA	SAB	SBA	A1 THRU A8	B1 THRU B8	LS646, LS647	LS648, LS649
X	X	↑	X	X	X	Input	Not specified	Store A, B unspecified	Store A, B unspecified
X	X	X	↑	X	X	Not specified	Input	Store B, A unspecified	Store B, A unspecified
H	X	↑	↑	X	X	Input	Input	Store A and B Data	Store A and B Data
H	X	H or L	H or L	X	X	Input	Input	Isolation, hold storage	Isolation, hold storage
L	L	X	X	X	L	Output	Input	Real-Time B Data to A Bus	Real-Time \bar{B} Data to A Bus
L	L	X	HorL	X	H	Output	Input	Stored B Data to A Bus	Stored \bar{B} Data to A Bus
L	H	X	X	L	X	Input	Output	Real-Time A Data to B Bus	Real-Time \bar{A} Data to B Bus
L	H	H or L	X	H	X	Input	Output	Stored A Data to B Bus	Stored \bar{A} Data to B Bus

† The data output functions may be enabled or disabled by various signals at the \bar{G} and DIR inputs. Data input functions are always enabled, i.e., data at the bus pins will be stored on every low-to-high transition on the clock inputs.

SN54LS646 THRU SN54LS649, SN74LS646 THRU SN74LS649 OCTAL BUS TRANSCEIVERS AND REGISTERS

SDLS190A - DECEMBER 1982 - REVISED MAY 2004

logic diagrams (positive logic)



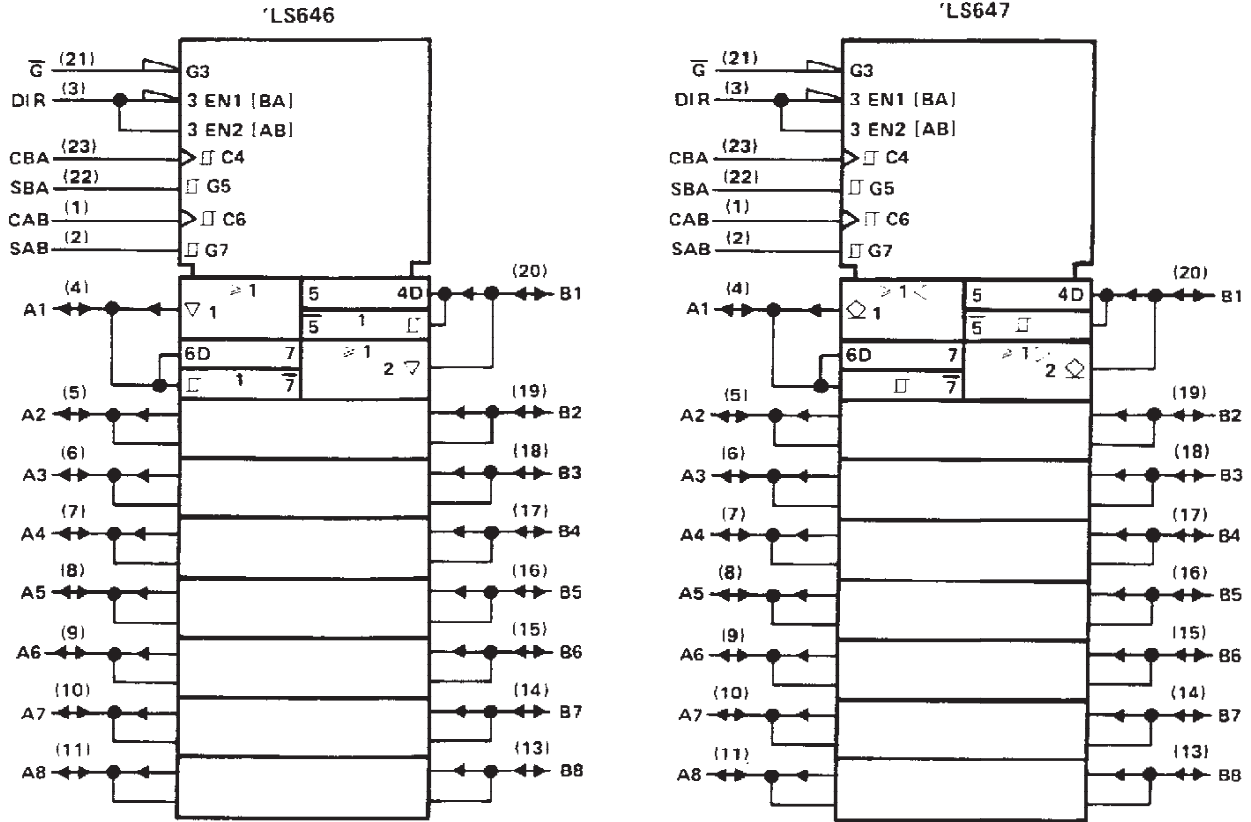
Pin numbers shown are for DW, JT, and NT packages.

SN54LS646, SN54LS647, SN74LS646, SN74LS647

OCTAL BUS TRANSCEIVERS AND REGISTERS

SDLS190A – DECEMBER 1982 – REVISED MAY 2004

logic symbols †

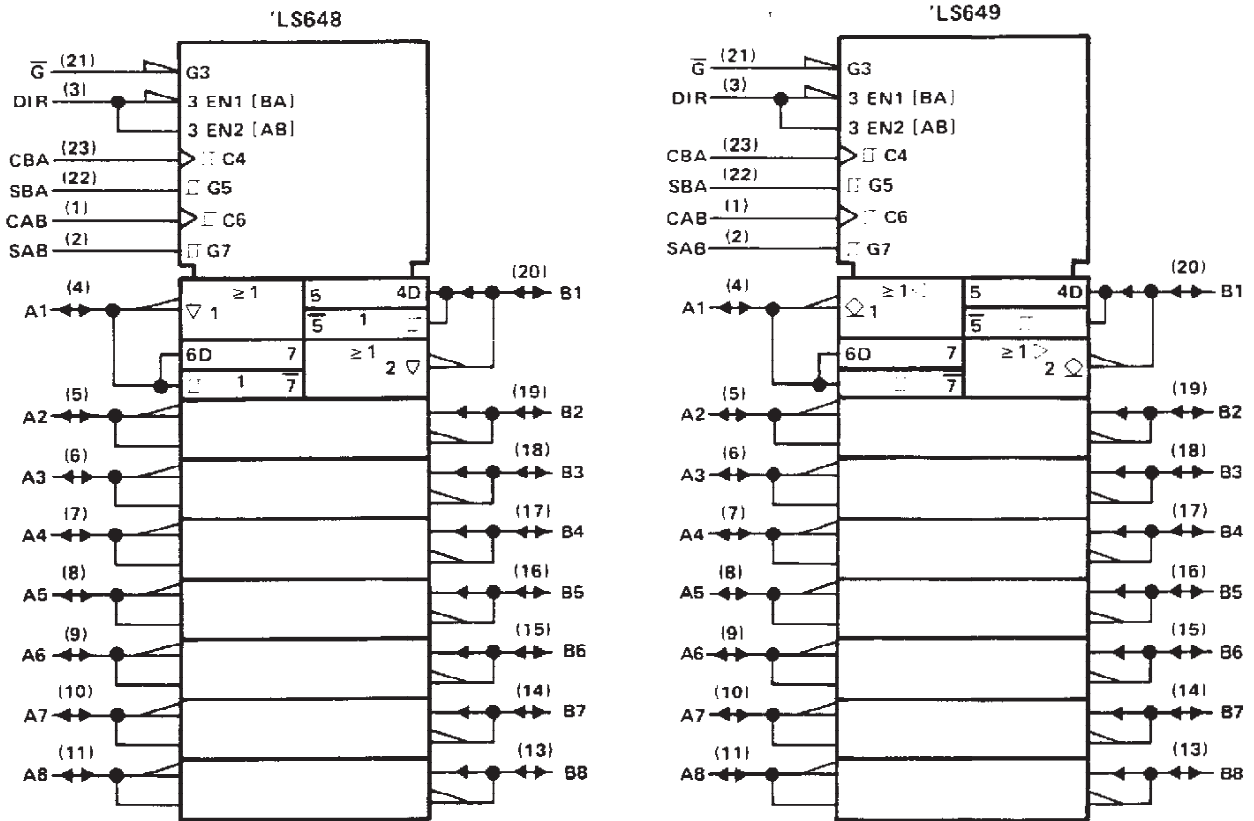


†These symbols are in accordance with ANSI/IEEE Std. 91-1984 and IEC Publication 617-12. Pin numbers shown are for DW, JT, and NT packages.

SN54LS648, SN54LS649, SN74LS648, SN74LS649 OCTAL BUS TRANSCEIVERS AND REGISTERS

SDLS190A - DECEMBER 1982 - REVISED MAY 2004

logic symbols[†] (continued)

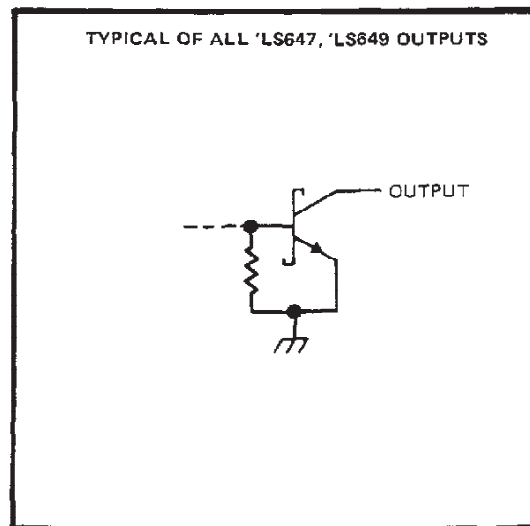
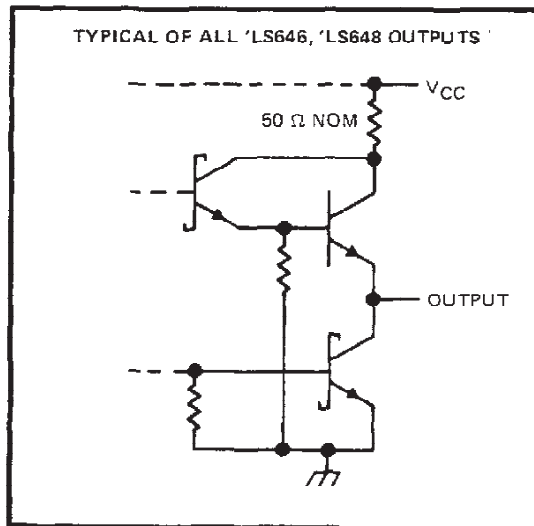
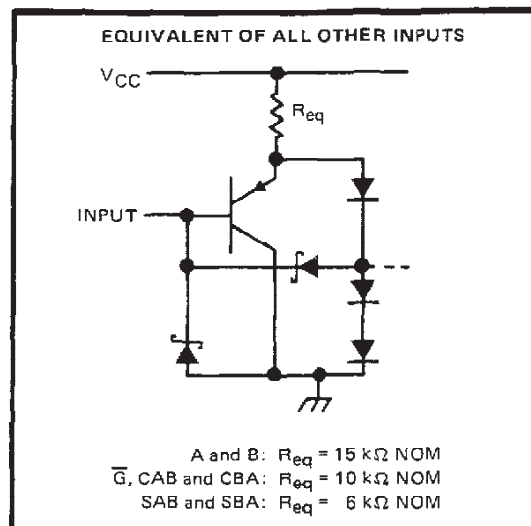
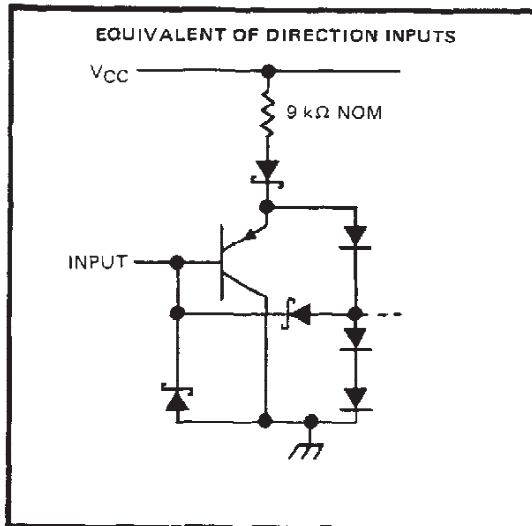


[†]These symbols are in accordance with ANSI/IEEE Std. 91-1984 and IEC Publication 617-12.
Pin numbers shown are for DW, JT, and NT packages.

SN54LS646 THRU SN54LS649
SN74LS646 THRU SN74LS649
OCTAL BUS TRANSCEIVERS AND REGISTERS

SDLS190A - DECEMBER 1982 - REVISED MAY 2004

schematics of inputs and outputs



SN54LS646, SN54LS648, SN74LS646, SN74LS648

OCTAL BUS TRANSCEIVERS AND REGISTERS WITH 3-STATE OUTPUTS

SDLS190A – DECEMBER 1982 – REVISED MAY 2004

absolute maximum ratings over operating free-air temperature range (unless otherwise noted)

Supply voltage, V_{CC}	7 V
Input voltage: Control inputs	7 V
I/O ports	5.5 V
Operating free-air temperature range: SN54LS646, SN54LS648	– 55°C to 125°C
SN74LS646, SN74LS648	0°C to 70°C
Storage temperature range	– 65°C to 150°C

recommended operating conditions

		SN54LS646/648			SN74LS646/648			UNIT
		MIN	NOM	MAX	MIN	NOM	MAX	
V_{CC}	Supply voltage	4.5	5	5.5	4.75	5	5.25	V
V_{IH}	High-level input voltage	2			2			V
V_{IL}	Low-level input voltage			0.5			0.6	V
I_{OH}	High-level output current			– 12			– 15	mA
I_{OL}	Low-level output current			12			24	mA
t_w	Pulse duration	CBA or CAB high		15	15			ns
		CBA or CAB low		30	30			
		Data high or low		30	30			
t_{su}	Setup time before CAB† or CBA †	A or B		15	15		ns	
t_h	Hold time after CAB† or CBA †	A or B		0	0		ns	
T_A	Operating free-air temperature	– 55		125	0		70	°C

electrical characteristics over recommended operating free-air temperature range (unless otherwise noted)

PARAMETER		TEST CONDITIONS†	SN54LS646/648		SN74LS646/648		UNIT			
			MIN	TYP‡	MAX	MIN		TYP‡	MAX	
V_{IK}		$V_{CC} = \text{MIN}, I_I = -18 \text{ mA}$			– 1.5		– 1.5	V		
Hysteresis ($V_{T+} - V_{T-}$)	A or B input	$V_{CC} = \text{MIN}$	0.1	0.4		0.2	0.4	V		
V_{OH}		$V_{CC} = \text{MIN}, V_{IH} = 2 \text{ V}, V_{IL} = \text{MAX}$	$I_{OH} = -3 \text{ mA}$		2.4	3.4	2.4	3.4	V	
			$I_{OH} = -12 \text{ mA}$		2					
			$I_{OH} = -15 \text{ mA}$				2			
V_{OL}		$V_{CC} = \text{MIN}, V_{IH} = 2 \text{ V}, V_{IL} = \text{MAX}$	$I_{OL} = 12 \text{ mA}$			0.25	0.4	0.25	0.4	V
			$I_{OL} = 24 \text{ mA}$				0.35	0.5		
I_I	Control inputs	$V_{CC} = \text{MAX}, V_I = 7 \text{ V}$			0.1			mA		
	A or B ports	$V_{CC} = \text{MAX}, V_I = 5.5 \text{ V}$			0.1					
I_{IH}	Control inputs	$V_{CC} = \text{MAX}, V_I = 2.7 \text{ V}$			20			µA		
	A or B ports‡				20					
I_{IL}	Control inputs	$V_{CC} = \text{MAX}, V_I = 0.4 \text{ V}$			– 0.4			mA		
	A or B ports‡				– 0.4					
$I_{OS}§$		$V_{CC} = \text{MAX}, V_O = 0 \text{ V}$	– 40		– 225	– 40		– 225	mA	
I_{CC}	LS646	$V_{CC} = \text{MAX}$	Outputs high		91	145	91	145	mA	
			Outputs low		103	165	103	165		
			Outputs disabled		103	165	103	165		
	LS648		Outputs high		91	145	91	145		
			Outputs low		103	165	103	165		
			Outputs disabled		120	180	120	180		

† For conditions shown as MIN or MAX, use the appropriate value specified under recommended operating conditions.

‡ All typical values are at $V_{CC} = 5 \text{ V}, T_A = 25^\circ\text{C}$.

§ Not more than one output should be shorted at a time, and duration of the short-circuit should not exceed one second.

¶ For I/O ports, the parameters I_{IH} and I_{IL} include the off-state output current.



SN54LS646, SN54LS648, SN74LS646, SN74LS648

OCTAL BUS TRANSCEIVERS AND REGISTERS WITH 3-STATE OUTPUTS

SDLS190A – DECEMBER 1982 – REVISED MAY 2004

switching characteristics, $V_{CC} = 5\text{ V}$, $T_A = 25^\circ\text{C}$

PARAMETER	FROM (INPUT)	TO (OUTPUT)	TEST CONDITIONS	'LS646			'LS648			UNIT
				MIN	TYP	MAX	MIN	TYP	MAX	
t_{PLH}	CAB or CBA	A or B	$R_L = 667\ \Omega$, $C_L = 45\ \text{pF}$, See Note 2	15	25		15	25	ns	
t_{PHL}				23	35		24	40	ns	
t_{PLH}	A or B	B or A		12	18		12	18	ns	
t_{PHL}				13	20		15	25	ns	
t_{PLH}	SAB or SBA† with Bus input high	A or B		26	40		37	55	ns	
t_{PHL}				21	35		24	40	ns	
t_{PLH}	SAB or SBA† with Bus input low	A or B		33	50		26	40	ns	
t_{PHL}				14	25		23	40	ns	
t_{PZH}	\overline{G}	A or B		33	55		30	50	ns	
t_{PZL}				42	65		37	55	ns	
t_{PZH}	DIR	A or B	28	45		23	40	ns		
t_{PZL}			39	60		30	45	ns		
t_{PHZ}	\overline{G}	A or B	23	35		28	45	ns		
t_{PLZ}			22	35		22	35	ns		
t_{PHZ}	DIR	A or B	20	30		24	35	ns		
t_{PLZ}			19	30		19	30	ns		

† These parameters are measured with the internal output state of the storage register opposite to that of the input.

NOTE 2: Load circuits and voltage waveforms are shown in Section 1.

SN54LS647, SN54LS649, SN74LS647, SN74LS649

OCTAL BUS TRANSCEIVERS AND REGISTERS WITH OPEN-COLLECTOR OUTPUTS

SDLS190A – DECEMBER 1982 – REVISED MAY 2004

absolute maximum ratings over operating free-air temperature range (unless otherwise noted)

Supply voltage, V_{CC} (see Note 1)	7 V
Input voltage (control inputs)	7 V
Off-state output voltage (A and B ports)	5.5 V
Operating free-air temperature range: SN54LS647, SN54LS649	– 55°C to 125°C
SN74LS647, SN74LS649	– 0°C to 70°C
Storage temperature range	– 65°C to 150°C

recommended operating conditions

		SN54LS647 SN54LS649			SN74LS647 SN74LS649			UNIT
		MIN	NOM	MAX	MIN	NOM	MAX	
V_{CC}	Supply voltage	4.5	5	5.5	4.75	5	5.25	V
V_{IH}	High-level input voltage	2			2			V
V_{IL}	Low-level input voltage	0.5			0.6			V
V_{OH}	High-level output voltage	5.5			5.5			V
I_{OL}	Low-level output voltage	12			24			mA
t_w	Pulse duration	CBA or CAB high		15	15		ns	
		CBA or CAB low		30	30			
		Data high or low		30	30			
t_{su}	Setup time before CAB † or CBA †	A or B		15	15		ns	
t_h	Hold time after CAB † or CBA †	A or B		0	0		ns	
T_A	Operating free-air temperature	– 55		125	0		70	°C

electrical characteristics over recommended operating free-air temperature range (unless otherwise noted)

PARAMETER		TEST CONDITIONS†	SN54LS647 SN54LS649			SN74LS647 SN74LS649			UNIT	
			MIN	TYP‡	MAX	MIN	TYP‡	MAX		
V_{IK}		$V_{CC} = \text{MIN}, I_I = -18 \text{ mA}$	– 1.5			– 1.5			V	
Hysteresis ($V_{T+} - V_{T-}$)	A or B input	$V_{CC} = \text{MIN}$	0.1	0.4		0.2	0.4		V	
I_{OH}		$V_{CC} = \text{MIN}, V_{IH} = 2 \text{ V}, V_{IL} = \text{MAX}, V_{OH} = 5.5 \text{ V}$	0.1			0.1			mA	
V_{OL}		$V_{CC} = \text{MIN}, V_{IH} = 2 \text{ V}, V_{IL} = \text{MAX}$	0.25		0.4	0.25		0.4	V	
I_I	A or B	$V_{CC} = \text{MAX}$			$V_I = 5.5 \text{ V}$			0.1	mA	
	All others				$V_I = 7 \text{ V}$			0.1		
I_{IH}		$V_{CC} = \text{MAX}, V_I = 2.7 \text{ V}$	20			20			µA	
I_{IL}		$V_{CC} = \text{MAX}, V_I = 0.4 \text{ V}$	– 0.4			– 0.4			mA	
I_{CC}	'LS647	$V_{CC} = \text{MAX}, \text{Outputs open}$	Outputs high		79	130	79		130	mA
			Outputs low		94	150	94		150	
	'LS649	$V_{CC} = \text{MAX}, \text{Outputs open}$	Outputs high		79	130	79		130	
			Outputs low		94	150	94		150	

† For conditions shown as MIN or MAX, use the appropriate value specified under recommended operating conditions.
‡ All typical values are at $V_{CC} = 5 \text{ V}, T_A = 25^\circ\text{C}$.

SN54LS647, SN54LS649, SN74LS647, SN74LS649

OCTAL BUS TRANSCEIVERS AND REGISTERS WITH OPEN-COLLECTOR OUTPUTS

SDLS190A – DECEMBER 1982 – REVISED MAY 2004

switching characteristics, $V_{CC} = 5\text{ V}$, $T_A = 25^\circ\text{C}$

PARAMETER	FROM (INPUT)	TO (OUTPUT)	TEST CONDITIONS	'LS647			'LS649			UNIT
				MIN	TYP	MAX	MIN	TYP	MAX	
t_{PLH}	CAB or CBA	A or B	$R_L = 667\ \Omega$, $C_L = 45\ \text{pF}$, See Note 2	22	35		17	30	ns	
t_{PHL}				28	45		28	45	ns	
t_{PLH}	A or B	B or A		17	26		15	25	ns	
t_{PHL}				18	27		20	30	ns	
t_{PLH}	SAB or SBA† with Bus input high	A or B		33	50		37	55	ns	
t_{PHL}				29	45		28	45	ns	
t_{PLH}	SAB or SBA† with Bus input low	A or B		39	60		30	45	ns	
t_{PHL}				19	30		26	40	ns	
t_{PLH}	G	A or B		25	40		21	40	ns	
t_{PHL}				33	50		34	50	ns	
t_{PLH}	DIR	A or B		23	35		19	30	ns	
t_{PHL}				25	40		27	45	ns	

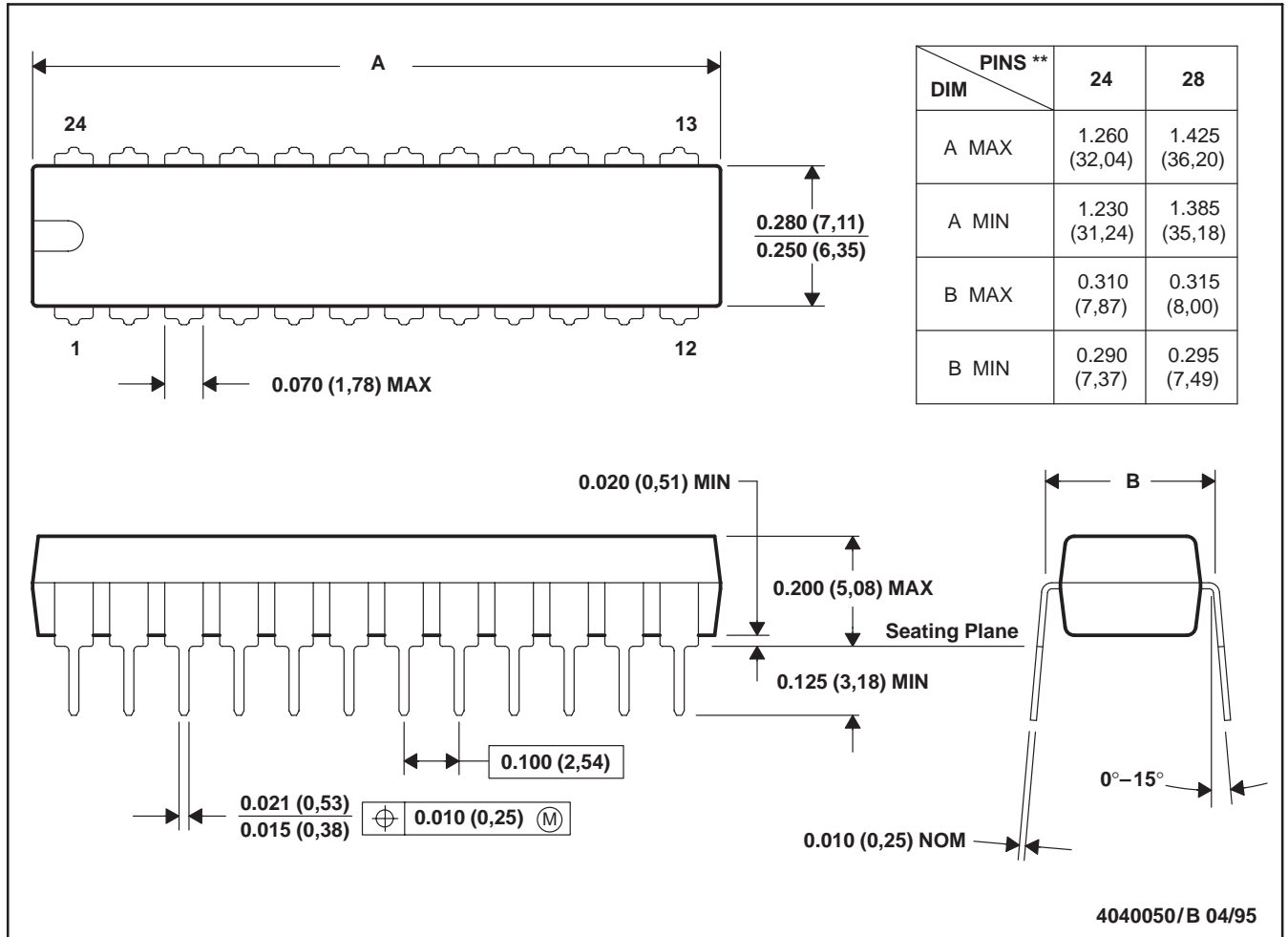
† These parameters are measured with the internal outputs state of the storage register opposite to that of the bus input.

NOTE 2: Load circuits and voltage waveforms are shown in Section 1.

NT (R-PDIP-T**)

PLASTIC DUAL-IN-LINE PACKAGE

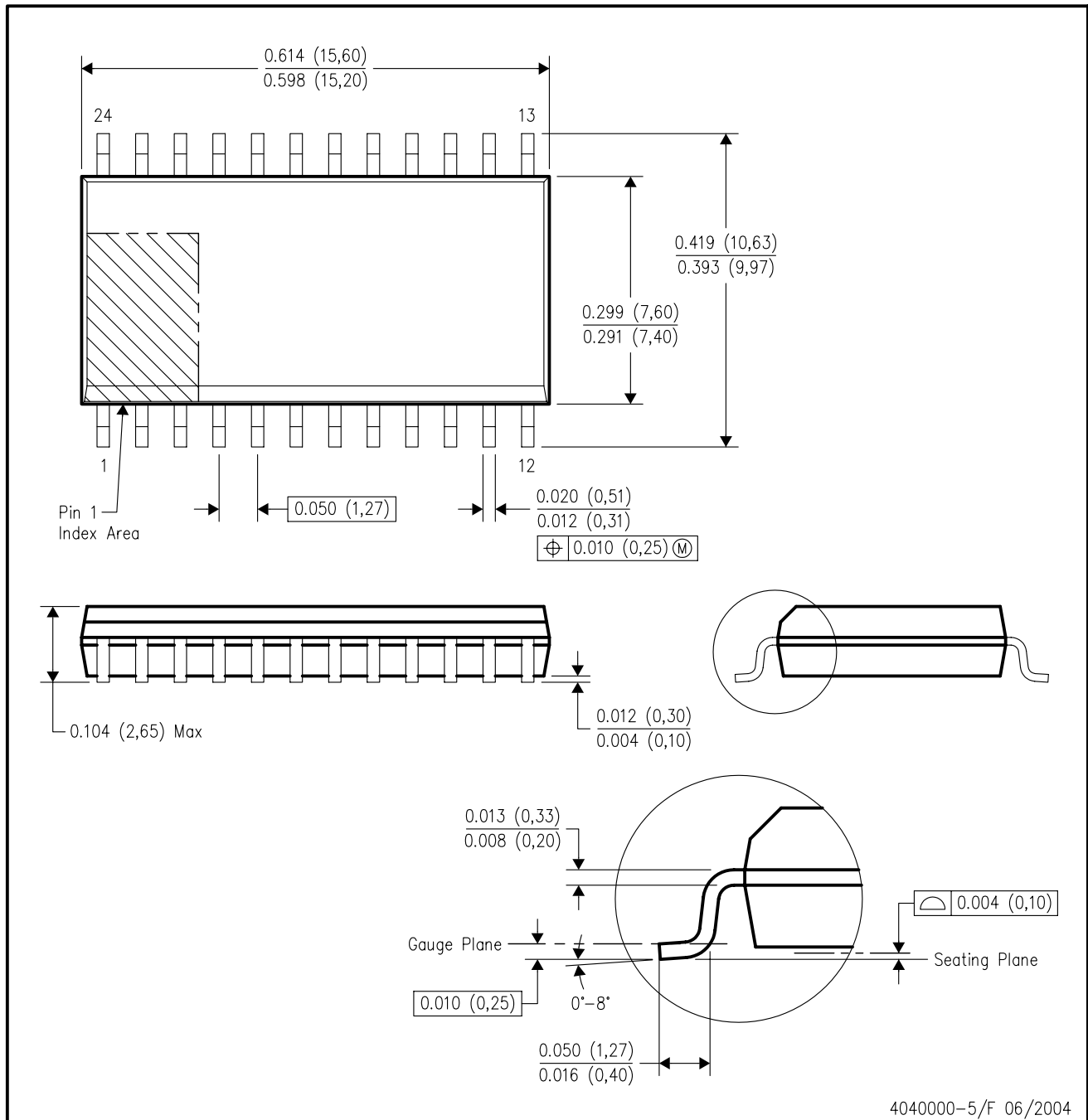
24 PINS SHOWN



NOTES: A. All linear dimensions are in inches (millimeters).
 B. This drawing is subject to change without notice.

DW (R-PDSO-G24)

PLASTIC SMALL-OUTLINE PACKAGE



- NOTES:
- A. All linear dimensions are in inches (millimeters).
 - B. This drawing is subject to change without notice.
 - C. Body dimensions do not include mold flash or protrusion not to exceed 0.006 (0,15).
 - D. Falls within JEDEC MS-013 variation AD.

IMPORTANT NOTICE

Texas Instruments Incorporated and its subsidiaries (TI) reserve the right to make corrections, modifications, enhancements, improvements, and other changes to its products and services at any time and to discontinue any product or service without notice. Customers should obtain the latest relevant information before placing orders and should verify that such information is current and complete. All products are sold subject to TI's terms and conditions of sale supplied at the time of order acknowledgment.

TI warrants performance of its hardware products to the specifications applicable at the time of sale in accordance with TI's standard warranty. Testing and other quality control techniques are used to the extent TI deems necessary to support this warranty. Except where mandated by government requirements, testing of all parameters of each product is not necessarily performed.

TI assumes no liability for applications assistance or customer product design. Customers are responsible for their products and applications using TI components. To minimize the risks associated with customer products and applications, customers should provide adequate design and operating safeguards.

TI does not warrant or represent that any license, either express or implied, is granted under any TI patent right, copyright, mask work right, or other TI intellectual property right relating to any combination, machine, or process in which TI products or services are used. Information published by TI regarding third-party products or services does not constitute a license from TI to use such products or services or a warranty or endorsement thereof. Use of such information may require a license from a third party under the patents or other intellectual property of the third party, or a license from TI under the patents or other intellectual property of TI.

Reproduction of information in TI data books or data sheets is permissible only if reproduction is without alteration and is accompanied by all associated warranties, conditions, limitations, and notices. Reproduction of this information with alteration is an unfair and deceptive business practice. TI is not responsible or liable for such altered documentation.

Resale of TI products or services with statements different from or beyond the parameters stated by TI for that product or service voids all express and any implied warranties for the associated TI product or service and is an unfair and deceptive business practice. TI is not responsible or liable for any such statements.

Following are URLs where you can obtain information on other Texas Instruments products and application solutions:

Products		Applications	
Amplifiers	amplifier.ti.com	Audio	www.ti.com/audio
Data Converters	dataconverter.ti.com	Automotive	www.ti.com/automotive
DSP	dsp.ti.com	Broadband	www.ti.com/broadband
Interface	interface.ti.com	Digital Control	www.ti.com/digitalcontrol
Logic	logic.ti.com	Military	www.ti.com/military
Power Mgmt	power.ti.com	Optical Networking	www.ti.com/opticalnetwork
Microcontrollers	microcontroller.ti.com	Security	www.ti.com/security
		Telephony	www.ti.com/telephony
		Video & Imaging	www.ti.com/video
		Wireless	www.ti.com/wireless

Mailing Address: Texas Instruments
Post Office Box 655303 Dallas, Texas 75265