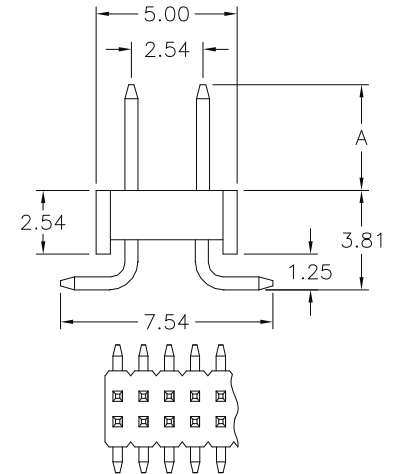
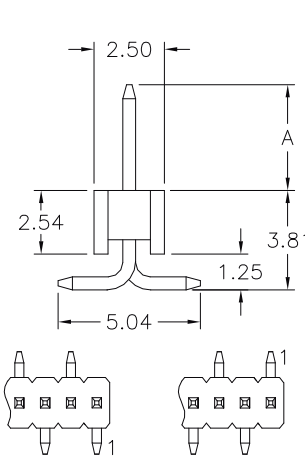
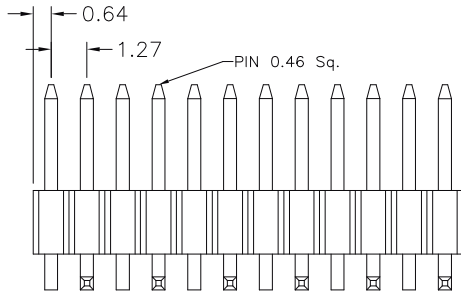
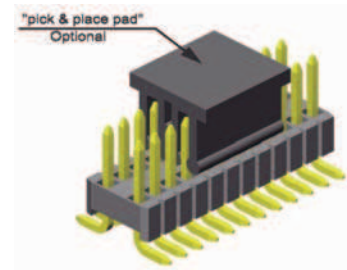
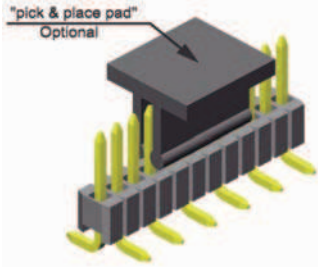


1.27mm - SMT - Pin Header

dual row 1.27mm x 2.54mm

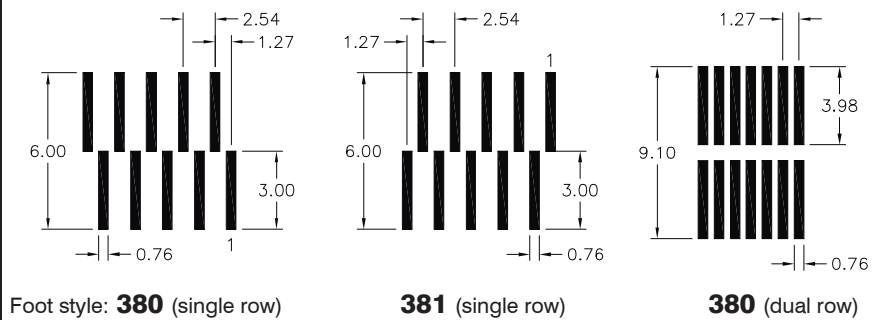


Foot style: **380**      **381**      **380**

**SPECIFICATIONS**

Current rating	1 A
Insulator resistance	1000 MΩ min.
Withstanding voltage	500 V AC
Operating temperature	- 40°C to +105°C
Processing temperature	+250°C +0/-5°C for 5sec.
Contact material (RoHS compliant)	Brass
Insulator material (RoHS compliant)	Nylon UL 94 V-0

**PCB Surface Mount Layout**



**How to order**

SS x - xxx - H xxx / x - 55 / 1 X

Rows	Nbr of pins	Foot style	Pin code	DIM "A"	Plating	Packing and "pick & place pad" Option
1 = single row	003 to 050	380 / 0		2.80 mm	55 = gold	<b>A</b> = tube packing; with pick & place pad <b>B</b> = reel packing; with pick & place pad
		381 / 0		2.80 mm		
2 = dual row	006 to 100	380 / 0		2.80 mm	Other platings on request	
		380 / 1		4.50 mm		
		380 / 2		5.50 mm		
		380 / 3		4.80 mm		
		Other dimensions on request				