

STL950/..G-5.0-H-GREEN



Technical Data

Wire sizes		Insulating Material	
Solid min	-	Material	PA 6.6
Solid max	-	Flammability Class	UL 94 V-0
Stranded (flexible) min	-	Temperatures	
Stranded (flexible) max	-	Operating Temperature	-30 °C - 105 °C
Stranded with Ferrule min	-	Store Temperature	-40 °C - 105 °C
Stranded with Ferrule max	-	Wave Soldering Process	
Dimensions		Soldering Temperature, recommended	265 °C
PCB Hole Diameter	1.4 mm	Peak Soldering Time, recommended	3-4 s
Materials		Reflow Process	
Contact Pin	Copper Alloy	Soldering Temperature, recommended	-
		Peak Soldering Time, recommended	-

Colours

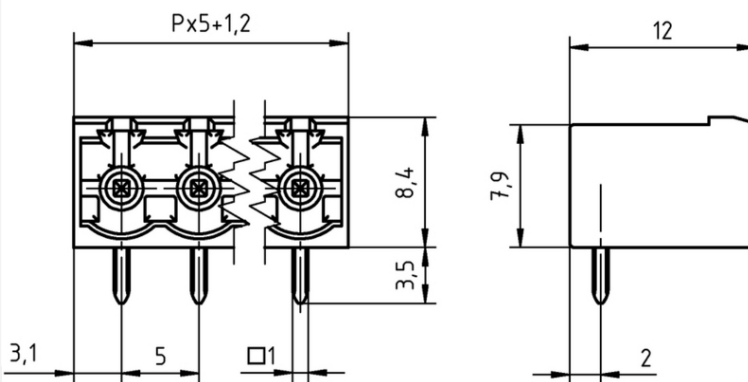
	GREEN, RAL 6018
	BLACK, RAL 9011
	BASALT GREY, RAL 7012
	PEBBLE GREY, RAL 7032
	LIGHT GREY, RAL 7035
	LIGHT GREEN, similar RAL 6018

Colours according to RAL, there may be variations on colour due to production conditions. Special colours on request.

Counterparts (Spacing 5.0 mm)

Terminal Block					
AK950	AK955	AK1100	AK1110	AK1200	AK3950

In combination of connectors with different admission data, the lower value is valid.



Ratings

	c RU [®] US			VDE
UseGroup	B	C	D	
Rated Voltage	300 V	150 V	300 V	250 V
Rated Current	15 A	15 A	10 A	12 A
Overvoltage Category				III
Test Voltage	1.60 kV	1.30 kV	1.60 kV	4.0 kV
Pollution Degree				3

Order Data (Spacing 5.0 mm)

Poles	Width (mm)	Article Designation	Article Number	PU
2	11.20	STL950/2G-5.0-H-GREEN	50950025001 F	200
3	16.20	STL950/3G-5.0-H-GREEN	50950035001 F	200
4	21.20	STL950/4G-5.0-H-GREEN	50950045001 F	200
5	26.20	STL950/5G-5.0-H-GREEN	50950055001 E	100
6	31.20	STL950/6G-5.0-H-GREEN	50950065001 E	100
7	36.20	STL950/7G-5.0-H-GREEN	50950075001 E	100
8	41.20	STL950/8G-5.0-H-GREEN	50950085001 D	50
9	46.20	STL950/9G-5.0-H-GREEN	50950095001 D	50
10	51.20	STL950/10G-5.0-H-GREEN	50950105001 D	50
11	56.20	STL950/11G-5.0-H-GREEN	50950115001 D	50
12	61.20	STL950/12G-5.0-H-GREEN	50950125001 D	50
13	66.20	STL950/13G-5.0-H-GREEN	50950135001 D	50
14	71.20	STL950/14G-5.0-H-GREEN	50950145001 D	50
15	76.20	STL950/15G-5.0-H-GREEN	50950155001 D	50
16	81.20	STL950/16G-5.0-H-GREEN	50950165001 D	50
17	86.20	STL950/17G-5.0-H-GREEN	50950175001 D	50
18	91.20	STL950/18G-5.0-H-GREEN	50950185001 D	50
19	96.20	STL950/19G-5.0-H-GREEN	50950195001 D	50
20	101.20	STL950/20G-5.0-H-GREEN	50950205001 D	50
21	106.20	STL950/21G-5.0-H-GREEN	50950215001 D	50
22	111.20	STL950/22G-5.0-H-GREEN	50950225001 D	50
23	116.20	STL950/23G-5.0-H-GREEN	50950235001 D	50
24	121.20	STL950/24G-5.0-H-GREEN	50950245001 D	50

Accessories

Figure	Designation	Article Number
	Coding Star CS2-5.0/5.08-RED	Art.-Nr. 50000000024
	Separating Element SE-STL950-GREEN	Art.-Nr. 50950000002

See pages 282 ff for detail and general accessories and see pages 12/13 concerning services.