

STLZ950/..G-5.08-H-GREEN



Technical Data

Wire sizes		Insulating Material	
Solid min	-	Material	PA 6.6
Solid max	-	Flammability Class	UL 94 V-0
Stranded (flexible) min	-	Temperatures	
Stranded (flexible) max	-	Operating Temperature	-30 °C - 105 °C
Stranded with Ferrule min	-	Store Temperature	-40 °C - 105 °C
Stranded with Ferrule max	-	Wave Soldering Process	
Dimensions		Soldering Temperature, recommended	265 °C
PCB Hole Diameter	1.4 mm	Peak Soldering Time, recommended	3-4 s
Materials		Reflow Process	
Contact Pin	Copper Alloy	Soldering Temperature, recommended	-
		Peak Soldering Time, recommended	-

Colours

	GREEN, RAL 6018
	BLACK, RAL 9011
	BASALT GREY, RAL 7012
	PEBBLE GREY, RAL 7032
	LIGHT GREY, RAL 7035
	LIGHT GREEN, similar RAL 6018

Colours according to RAL, there may be variations on colour due to production conditions. Special colours on request.

Counterparts (Spacing 5.08 mm)

Pin Strip/Terminal Block

STLZ950-INV AKZ950 AKZ955 AKZ1100 AKZ1110 AKZ1200 AKZ4951
 In combination of connectors with different admission data, the lower value is valid.

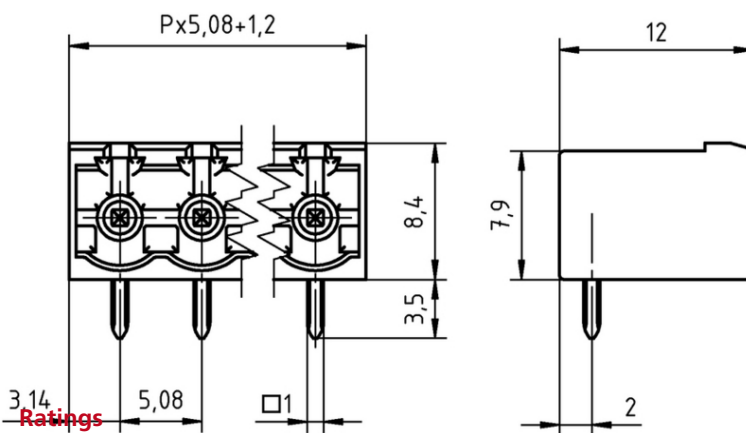
Order Data (Spacing 5.08 mm)

Poles	Width (mm)	Article Designation	Article Number	PU
2	11.36	STLZ950/2G-5.08-H-GREEN	50950025021 F	200
3	16.44	STLZ950/3G-5.08-H-GREEN	50950035021 F	200
4	21.52	STLZ950/4G-5.08-H-GREEN	50950045021 F	200
5	26.60	STLZ950/5G-5.08-H-GREEN	50950055021 E	100
6	31.68	STLZ950/6G-5.08-H-GREEN	50950065021 E	100
7	36.76	STLZ950/7G-5.08-H-GREEN	50950075021 E	100
8	41.84	STLZ950/8G-5.08-H-GREEN	50950085021 D	50
9	46.92	STLZ950/9G-5.08-H-GREEN	50950095021 D	50
10	52.00	STLZ950/10G-5.08-H-GREEN	50950105021 D	50
11	57.08	STLZ950/11G-5.08-H-GREEN	50950115021 D	50
12	62.16	STLZ950/12G-5.08-H-GREEN	50950125021 D	50
13	67.24	STLZ950/13G-5.08-H-GREEN	50950135021 D	50
14	72.32	STLZ950/14G-5.08-H-GREEN	50950145021 D	50
15	77.40	STLZ950/15G-5.08-H-GREEN	50950155021 D	50
16	82.48	STLZ950/16G-5.08-H-GREEN	50950165021 D	50
17	87.56	STLZ950/17G-5.08-H-GREEN	50950175021 D	50
18	92.64	STLZ950/18G-5.08-H-GREEN	50950185021 D	50
19	97.72	STLZ950/19G-5.08-H-GREEN	50950195021 D	50
20	102.80	STLZ950/20G-5.08-H-GREEN	50950205021 D	50
21	107.88	STLZ950/21G-5.08-H-GREEN	50950215021 D	50
22	112.96	STLZ950/22G-5.08-H-GREEN	50950225021 D	50
23	118.04	STLZ950/23G-5.08-H-GREEN	50950235021 D	50
24	123.12	STLZ950/24G-5.08-H-GREEN	50950245021 D	50

Accessoires

Figure	Designation	Article Number
	Coding Star CS2-5.0/5.08-RED	Art.-Nr. 50000000024
	Separating Element SE-STL950-GREEN	Art.-Nr. 50950000002

See pages 282 ff for detail and general accessories and see pages 12/13 concerning services.



UseGroup	B	C	D	
Rated Voltage	300 V	150 V	300 V	250 V
Rated Current	15 A	15 A	10 A	12 A
Overvoltage Category				III
Test Voltage	1.60 kV	1.30 kV	1.60 kV	4.0 kV
Pollution Degree				3