

Pin strip | Spacing 5.08 mm

## STLZ970/..-5.08-V-GREEN



### Technical Data

Wire sizes		Insulating Material	
Solid min	-	Material	PBT
Solid max	-	Flammability Class	UL 94 V-0
Stranded (flexible) min	-	<b>Temperatures</b>	
Stranded (flexible) max	-	Operating Temperature	-30 °C - 105 °C
Stranded with Ferrule min	-	Store Temperature	-40 °C - 105 °C
Stranded with Ferrule max	-	<b>Wave Soldering Process</b>	
<b>Dimensions</b>		Soldering Temperature, recommended	265 °C
PCB Hole Diameter	1.4 mm	Peak Soldering Time, recommended	3-4 s
<b>Materials</b>		<b>Reflow Process</b>	
Contact Pin	Copper Alloy	Soldering Temperature, recommended	-
		Peak Soldering Time, recommended	-

### Colours

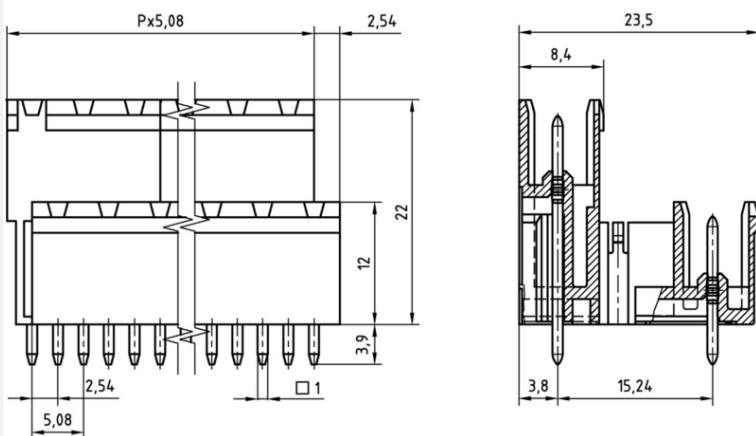
	GREEN, RAL 6018
	PEBBLE GREY, RAL 7032
	LIGHT GREEN, similar RAL 6018

Colours according to RAL, there may be variations on colour due to production conditions. Special colours on request.

### Counterparts (Spacing 5.08 mm)

Pin Strip/Terminal Block

STLZ950-INV AKZ950 AKZ955 AKZ1100 AKZ1110 AKZ1200 AKZ4951  
In combination of connectors with different admission data, the lower value is valid.



### Order Data (Spacing 5.08 mm)

Poles	Width (mm)	Article Designation	Article Number	PU
2	12.70	STLZ970/2-5.08-V-GREEN	50970025131 E	100
3	17.78	STLZ970/3-5.08-V-GREEN	50970035131 E	100
4	22.86	STLZ970/4-5.08-V-GREEN	50970045131 E	100
5	27.94	STLZ970/5-5.08-V-GREEN	50970055131 D	50
6	33.02	STLZ970/6-5.08-V-GREEN	50970065131 D	50
7	38.10	STLZ970/7-5.08-V-GREEN	50970075131 D	50
8	43.18	STLZ970/8-5.08-V-GREEN	50970085131 D	50
9	48.26	STLZ970/9-5.08-V-GREEN	50970095131 D	50
10	53.34	STLZ970/10-5.08-V-GREEN	50970105131 D	50
11	58.42	STLZ970/11-5.08-V-GREEN	50970115131 D	50
12	63.50	STLZ970/12-5.08-V-GREEN	50970125131 D	50

### Accessoires

Figure	Designation	Article Number
--------	-------------	----------------

See pages 282 ff for detail and general accessories and see pages 12/13 concerning services.

### Ratings



UseGroup	B	C	D	
Rated Voltage	300 V	150 V	300 V	250 V
Rated Current	15 A	15 A	10 A	12 A
Overvoltage Category				III
Test Voltage	1.60 kV	1.30 kV	1.60 kV	4.0 kV
Pollution Degree				3