



# STP62NS04Z

N-channel clamped 12.5 mΩ, 62 A, TO-220  
fully protected MESH OVERLAY™ Power MOSFET

## Features

Type	V <sub>DSS</sub>	R <sub>DS(on) max</sub>	I <sub>D</sub>
STP62NS04Z	Clamped	< 0.015 Ω	62 A

- 100% avalanche tested
- Low capacitance and gate charge
- 175 °C maximum junction temperature

## Application

- Switching applications

## Description

Fully clamped MOSFET is produced by using ST's most advanced MESH OVERLAY™ process based on strip layout. The inherent benefits of this new technology coupled with the extra clamping capabilities make this product particularly suitable for the harshest operating conditions such as those encountered in the automotive environment. It is also recommended for any other application requiring extra ruggedness.

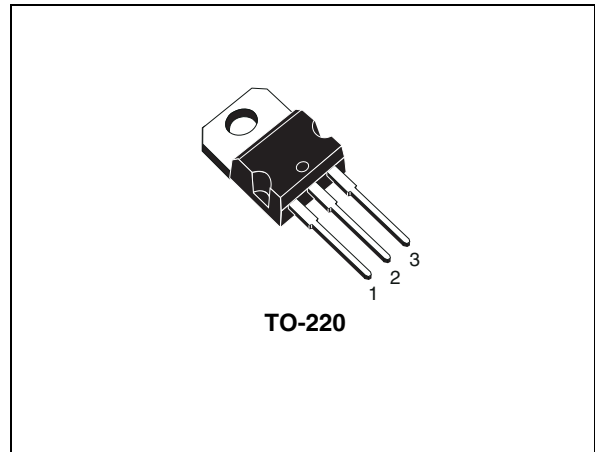


Figure 1. Internal schematic diagram

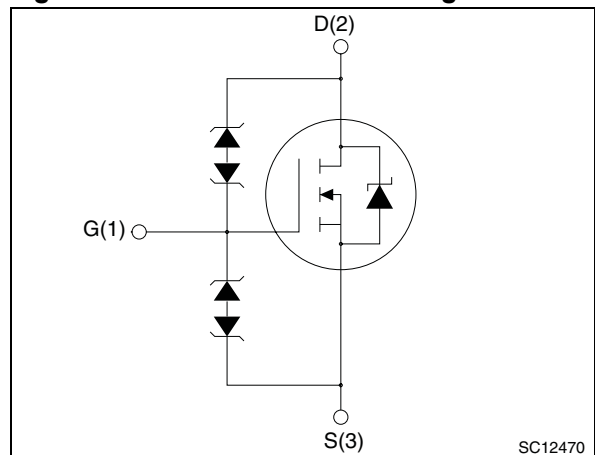


Table 1. Device summary

Order code	Marking	Package	Packaging
STP62NS04Z	P62NS04Z	TO-220	Tube

# Contents

<b>1</b>	<b>Electrical ratings</b> .....	<b>3</b>
<b>2</b>	<b>Electrical characteristics</b> .....	<b>4</b>
	2.1 Electrical characteristics (curves) .....	6
<b>3</b>	<b>Test circuits</b> .....	<b>8</b>
<b>4</b>	<b>Package mechanical data</b> .....	<b>9</b>
<b>5</b>	<b>Revision history</b> .....	<b>11</b>

# 1 Electrical ratings

**Table 2. Absolute maximum ratings**

Symbol	Parameter	Value	Unit
$V_{DS}$	Drain-source voltage ( $V_{GS} = 0$ )	Clamped	V
$V_{GS}$	Gate-source voltage	Clamped	V
$I_D$	Drain current (continuous) at $T_C = 25\text{ °C}$	62	A
$I_D$	Drain current (continuous) at $T_C = 100\text{ °C}$	37.5	A
$I_{DG}$	Drain gate current (continuous)	$\pm 50$	mA
$I_{GS}$	Gate sourcecurrent (continuous)	$\pm 50$	mA
$I_{DM}^{(1)}$	Drain current (pulsed)	248	A
$P_{TOT}$	Total dissipation at $T_C = 25\text{ °C}$	110	W
	Derating factor	0.74	W/°C
$dv/dt^{(2)}$	Peak diode recovery voltage slope	8	V/ns
$E_{AS}^{(3)}$	Single pulse avalanche energy	500	mJ
$V_{ESD}$	ESD (HBM - C = 100 pF, R = 1.5 k $\Omega$ )	8	V
$T_J$ $T_{stg}$	Operating junction temperature Storage temperature	-55 to 175	°C

1. Pulse width limited by safe operating area
2.  $I_{SD} \leq 40\text{ A}$ ,  $di/dt \leq 100\text{ A}/\mu\text{s}$ ,  $V_{DD} \leq V_{(BR)DSS}$ ,  $T_J \leq T_{JMAX}$
3. Starting  $T_J = 25\text{ °C}$ ,  $I_D = 20\text{ A}$ ,  $V_{DD} = 20\text{ V}$

**Table 3. Thermal data**

Symbol	Parameter	Value	Unit
$R_{thj-c}$	Thermal resistance junction-casemax	1.36	°C/W
$R_{thj-a}$	Thermal resistance junction-ambient max	62.5	°C/W
$T_l$	Maximum lead temperature for soldering purpose	300	°C

## 2 Electrical characteristics

( $T_{CASE}=25\text{ °C}$  unless otherwise specified)

**Table 4. On/off states**

Symbol	Parameter	Test conditions	Min.	Typ.	Max.	Unit
$V_{(BR)DSS}$	Drain-source breakdown voltage	$I_D = 1\text{ mA}$ , $V_{GS} = 0$	33			V
$I_{DSS}$	Zero gate voltage drain current ( $V_{GS} = 0$ )	$V_{DS} = 16\text{ V}$			10	$\mu\text{A}$
$I_{GSS}$	Gate body leakage current ( $V_{DS} = 0$ )	$V_{GS} = \pm 10\text{ V}$			10	$\mu\text{A}$
$V_{GSS}$	Gate-source breakdown voltage	$I_{GS} = 100\text{ }\mu\text{A}$	18			V
$V_{GS(th)}$	Gate threshold voltage	$V_{DS} = V_{GS}$ , $I_D = 250\text{ }\mu\text{A}$	2		4	V
$R_{DS(on)}$	Static drain-source on resistance	$V_{GS} = 10\text{ V}$ , $I_D = 30\text{ A}$		12.5	15	$\text{m}\Omega$

**Table 5. Dynamic**

Symbol	Parameter	Test conditions	Min.	Typ.	Max.	Unit
$g_{fs}^{(1)}$	Forward transconductance	$V_{DS} = 15\text{ V}$ , $I_D = 30\text{ A}$	-	20		S
$C_{iss}$	Input capacitance	$V_{DS} = 25\text{ V}$ , $f = 1\text{ MHz}$ , $V_{GS} = 0$	-	1330		pF
$C_{oss}$	Output capacitance			420		pF
$C_{rss}$	Reverse transfer capacitance			135		pF
$Q_g$	Total gate charge	$V_{DD} = 20\text{ V}$ , $I_D = 40\text{ A}$ $V_{GS} = 10\text{ V}$	-	34	47	nC
$Q_{gs}$	Gate-source charge			10		nC
$Q_{gd}$	Gate-drain charge			11.5		nC

1. Pulsed: pulse duration=300 $\mu\text{s}$ , duty cycle 1.5%

**Table 6. Switching times**

Symbol	Parameter	Test conditions	Min.	Typ.	Max.	Unit
$t_{d(on)}$	Turn-on delay time	$V_{DD} = 20\text{ V}$ , $I_D = 20\text{ A}$ , $R_G = 4.7\text{ }\Omega$ , $V_{GS} = 10\text{ V}$ <a href="#">Figure 14 on page 8</a>	-	13		ns
$t_r$	Rise time			104		ns
$t_{d(off)}$	Turn-off delay time			41	-	ns
$t_f$	Fall time			42		ns
$t_{r(Voff)}$	Off-voltage rise time	$V_{clamp} = 30\text{ V}$ , $I_D = 40\text{ A}$ $R_G = 4.7\text{ }\Omega$ , $V_{GS} = 10\text{ V}$ <a href="#">Figure 14 on page 8</a>	-	30		ns
$t_f$	Fall time			54		ns
$t_c$	Cross-over time			90		ns

**Table 7. Source drain diode**

Symbol	Parameter	Test conditions	Min	Typ.	Max	Unit
$I_{SD}$	Source-drain current		-		62	A
$I_{SDM}^{(1)}$	Source-drain current (pulsed)		-		248	A
$V_{SD}^{(2)}$	Forward on voltage	$I_{SD} = 62 \text{ A}$ , $V_{GS} = 0$	-		1.5	V
$t_{rr}$	Reverse recovery time	$I_{SD} = 40 \text{ A}$ , $di/dt = 100 \text{ A}/\mu\text{s}$ , $V_{DD} = 20 \text{ V}$ , $T_J = 150 \text{ }^\circ\text{C}$ <a href="#">Figure 16 on page 8</a>	-	45		ns
$Q_{rr}$	Reverse recovery charge			65		nC
$I_{RRM}$	Reverse recovery current			2.9		A

1. Pulse width limited by safe operating area
2. Pulsed: pulse duration=300 $\mu\text{s}$ , duty cycle 1.5%

## 2.1 Electrical characteristics (curves)

Figure 2. Safe operating area

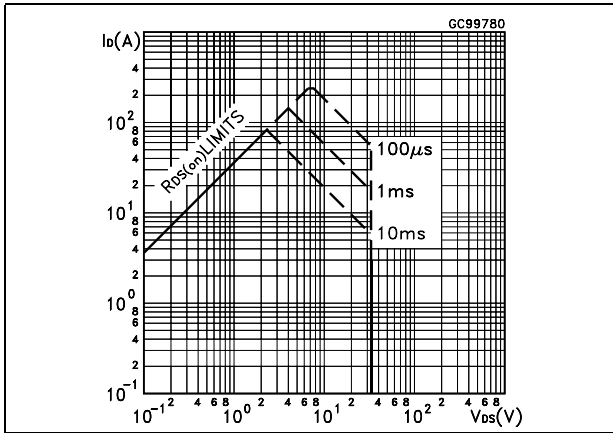


Figure 3. Thermal impedance

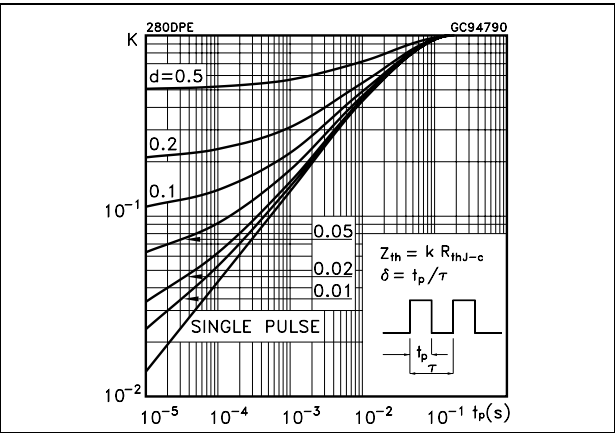


Figure 4. Output characteristics

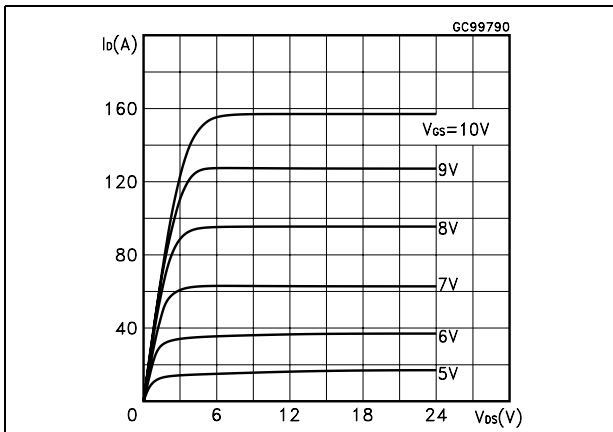


Figure 5. Transfer characteristics

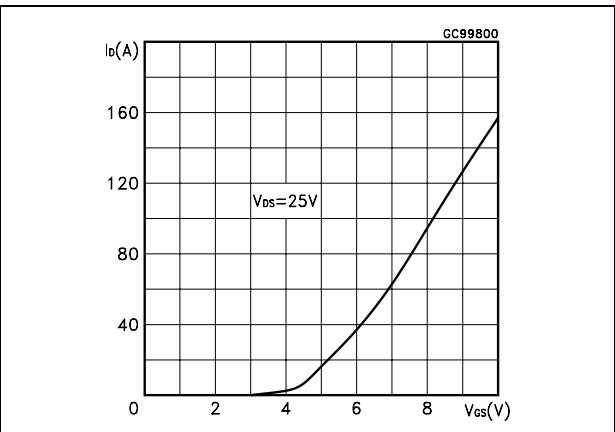


Figure 6. Transconductance

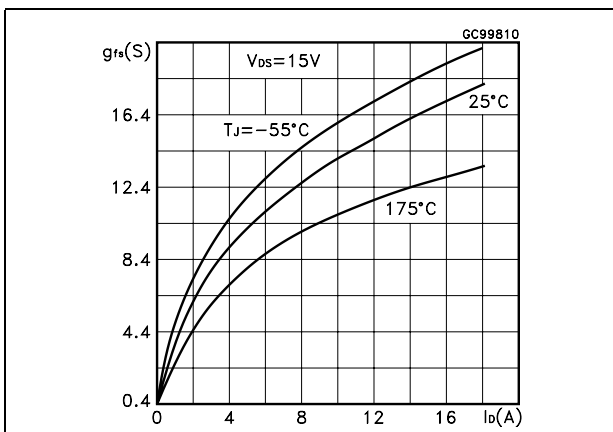


Figure 7. Static drain-source on resistance

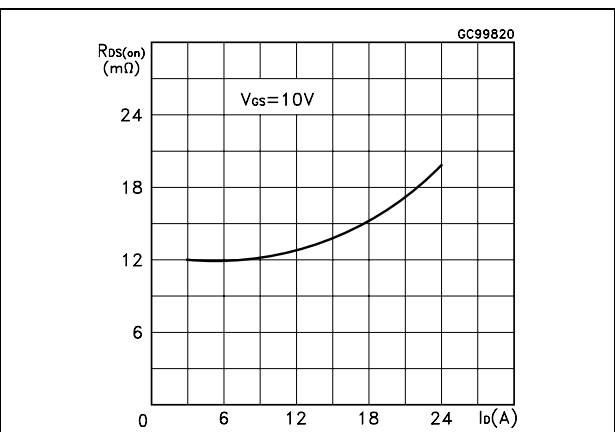


Figure 8. Gate charge vs gate-source voltage Figure 9. Capacitance variations

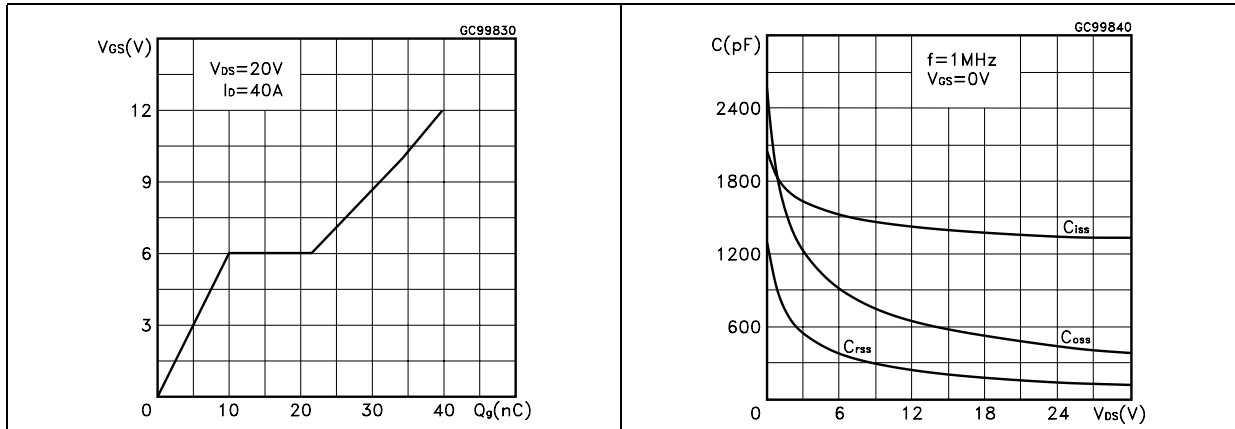


Figure 10. Normalized gate threshold voltage vs temperature Figure 11. Normalized on resistance vs temperature

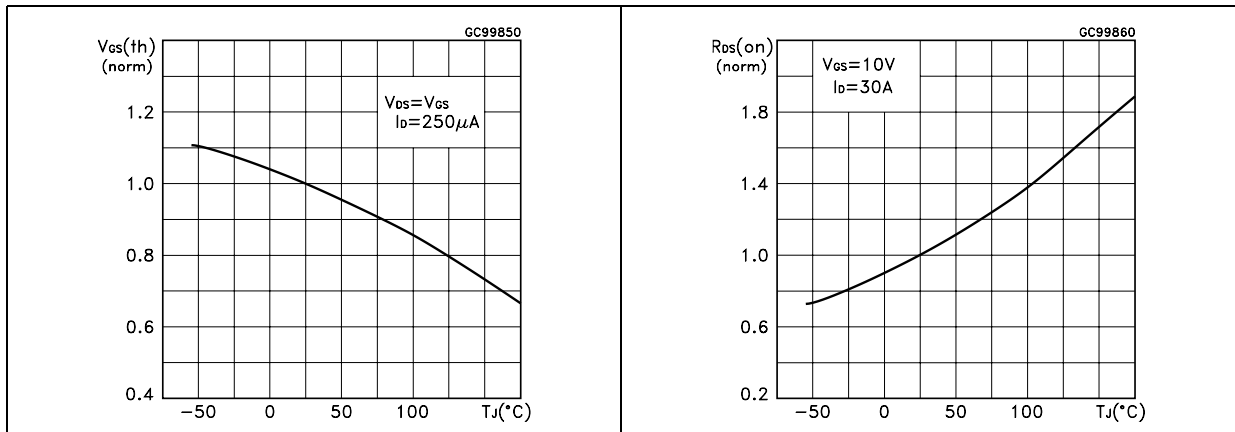
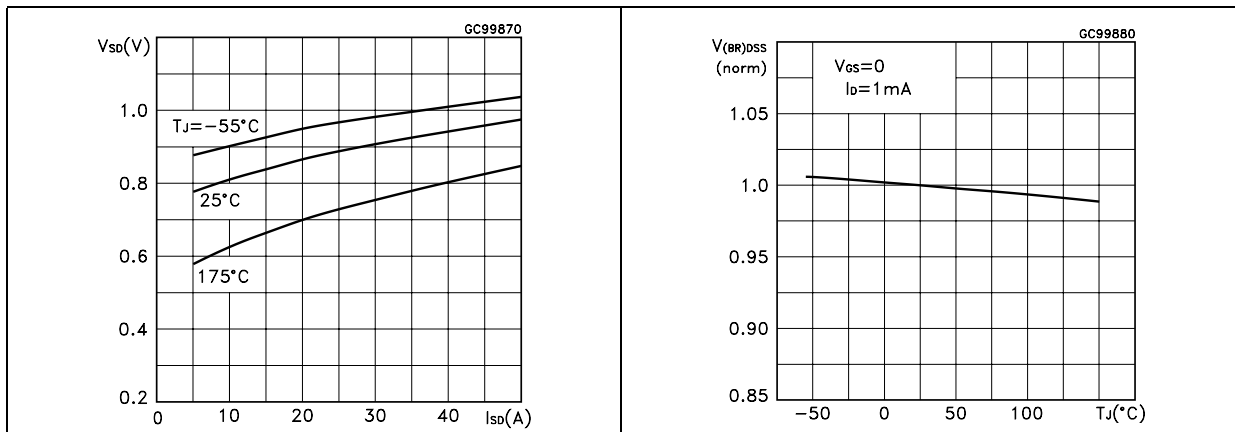


Figure 12. Source-drain diode forward characteristics Figure 13. Normalized  $B_{VDSS}$  vs temperature

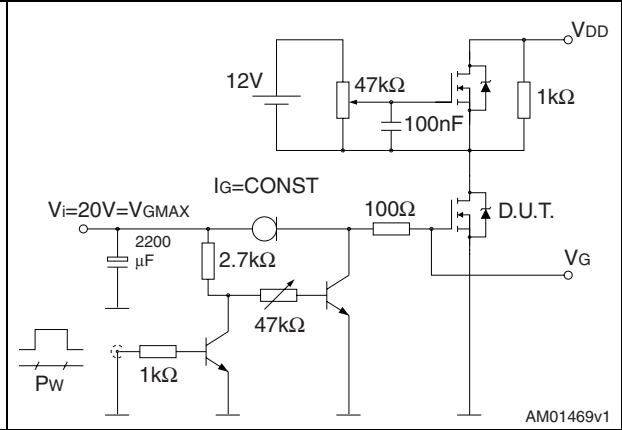


### 3 Test circuits

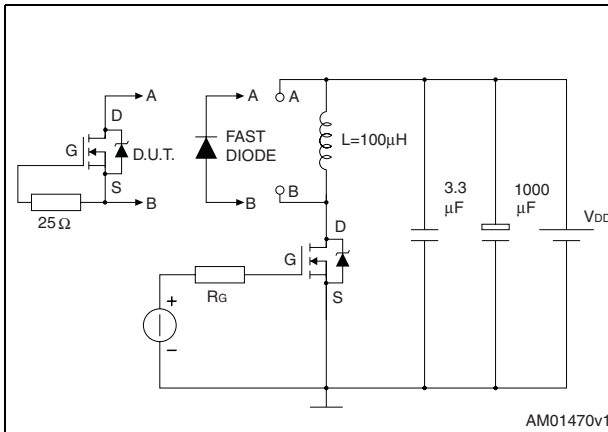
**Figure 14. Switching times test circuit for resistive load**



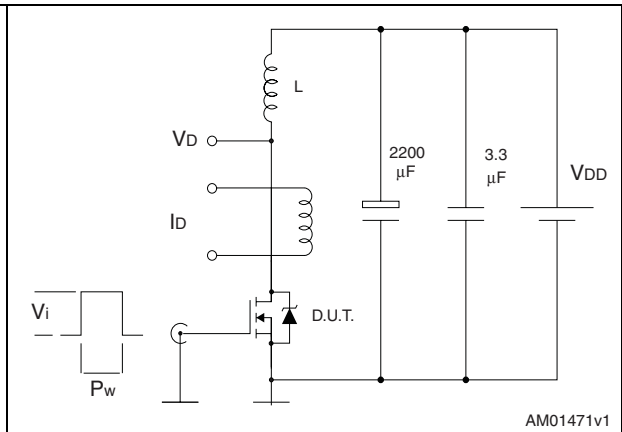
**Figure 15. Gate charge test circuit**



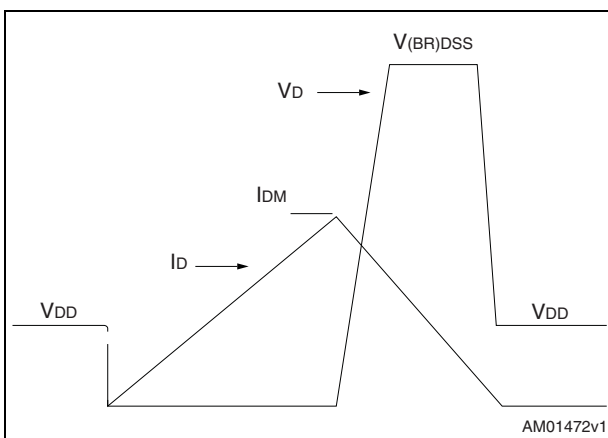
**Figure 16. Test circuit for inductive load switching and diode recovery times**



**Figure 17. Unclamped inductive load test circuit**



**Figure 18. Unclamped inductive waveform**



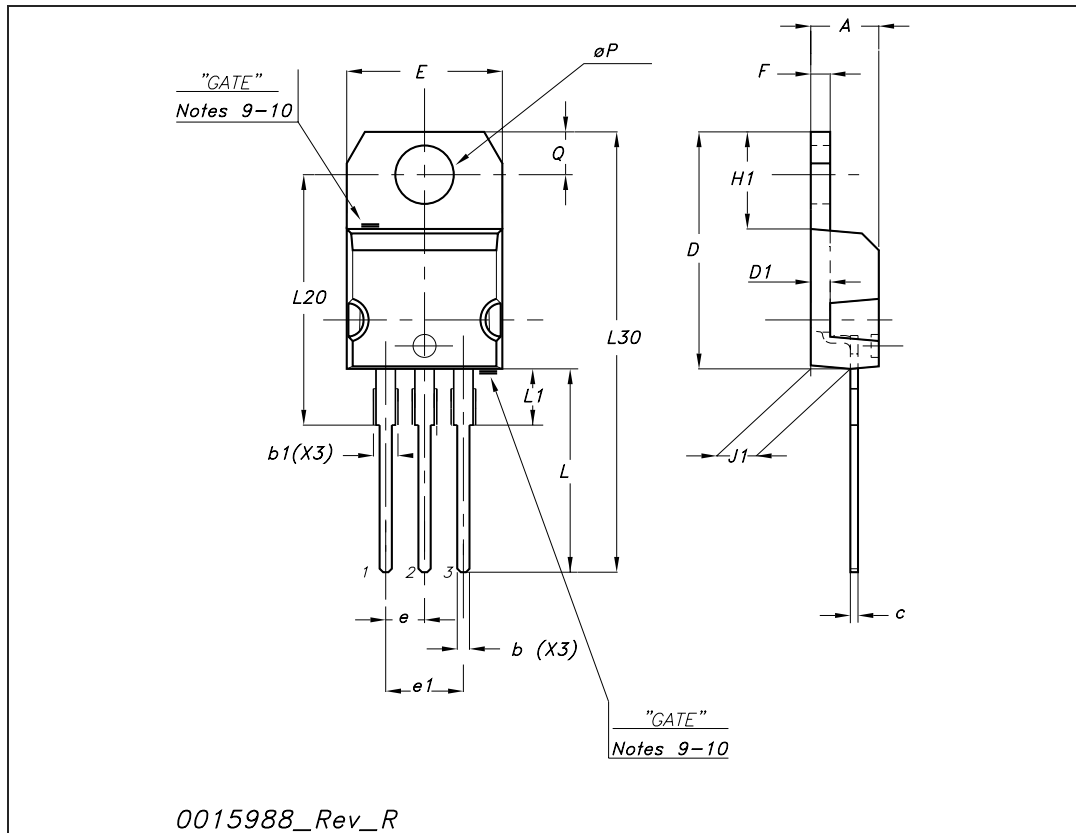


## 4 Package mechanical data

In order to meet environmental requirements, ST offers these devices in different grades of ECOPACK<sup>®</sup> packages, depending on their level of environmental compliance. ECOPACK<sup>®</sup> specifications, grade definitions and product status are available at: [www.st.com](http://www.st.com). ECOPACK is an ST trademark.

**TO-220 mechanical data**

Dim	mm			inch		
	Min	Typ	Max	Min	Typ	Max
A	4.40		4.60	0.173		0.181
b	0.61		0.88	0.024		0.034
b1	1.14		1.70	0.044		0.066
c	0.48		0.70	0.019		0.027
D	15.25		15.75	0.6		0.62
D1		1.27			0.050	
E	10		10.40	0.393		0.409
e	2.40		2.70	0.094		0.106
e1	4.95		5.15	0.194		0.202
F	1.23		1.32	0.048		0.051
H1	6.20		6.60	0.244		0.256
J1	2.40		2.72	0.094		0.107
L	13		14	0.511		0.551
L1	3.50		3.93	0.137		0.154
L20		16.40			0.645	
L30		28.90			1.137	
∅P	3.75		3.85	0.147		0.151
Q	2.65		2.95	0.104		0.116



## 5 Revision history

**Table 8. Document revision history**

Date	Revision	Changes
21-Jun-2004	2	Preliminary datasheet
22-Aug-2005	3	Complete document with curves
21-Jan-2006	4	New ECOPAK label
02-Oct-2006	5	New template, no content change
14-May-2009	6	Updated scheme in <a href="#">Figure 1</a>

**Please Read Carefully:**

Information in this document is provided solely in connection with ST products. STMicroelectronics NV and its subsidiaries ("ST") reserve the right to make changes, corrections, modifications or improvements, to this document, and the products and services described herein at any time, without notice.

All ST products are sold pursuant to ST's terms and conditions of sale.

Purchasers are solely responsible for the choice, selection and use of the ST products and services described herein, and ST assumes no liability whatsoever relating to the choice, selection or use of the ST products and services described herein.

No license, express or implied, by estoppel or otherwise, to any intellectual property rights is granted under this document. If any part of this document refers to any third party products or services it shall not be deemed a license grant by ST for the use of such third party products or services, or any intellectual property contained therein or considered as a warranty covering the use in any manner whatsoever of such third party products or services or any intellectual property contained therein.

**UNLESS OTHERWISE SET FORTH IN ST'S TERMS AND CONDITIONS OF SALE ST DISCLAIMS ANY EXPRESS OR IMPLIED WARRANTY WITH RESPECT TO THE USE AND/OR SALE OF ST PRODUCTS INCLUDING WITHOUT LIMITATION IMPLIED WARRANTIES OF MERCHANTABILITY, FITNESS FOR A PARTICULAR PURPOSE (AND THEIR EQUIVALENTS UNDER THE LAWS OF ANY JURISDICTION), OR INFRINGEMENT OF ANY PATENT, COPYRIGHT OR OTHER INTELLECTUAL PROPERTY RIGHT.**

**UNLESS EXPRESSLY APPROVED IN WRITING BY AN AUTHORIZED ST REPRESENTATIVE, ST PRODUCTS ARE NOT RECOMMENDED, AUTHORIZED OR WARRANTED FOR USE IN MILITARY, AIR CRAFT, SPACE, LIFE SAVING, OR LIFE SUSTAINING APPLICATIONS, NOR IN PRODUCTS OR SYSTEMS WHERE FAILURE OR MALFUNCTION MAY RESULT IN PERSONAL INJURY, DEATH, OR SEVERE PROPERTY OR ENVIRONMENTAL DAMAGE. ST PRODUCTS WHICH ARE NOT SPECIFIED AS "AUTOMOTIVE GRADE" MAY ONLY BE USED IN AUTOMOTIVE APPLICATIONS AT USER'S OWN RISK.**

Resale of ST products with provisions different from the statements and/or technical features set forth in this document shall immediately void any warranty granted by ST for the ST product or service described herein and shall not create or extend in any manner whatsoever, any liability of ST.

ST and the ST logo are trademarks or registered trademarks of ST in various countries.

Information in this document supersedes and replaces all information previously supplied.

The ST logo is a registered trademark of STMicroelectronics. All other names are the property of their respective owners.

© 2009 STMicroelectronics - All rights reserved

STMicroelectronics group of companies

Australia - Belgium - Brazil - Canada - China - Czech Republic - Finland - France - Germany - Hong Kong - India - Israel - Italy - Japan - Malaysia - Malta - Morocco - Philippines - Singapore - Spain - Sweden - Switzerland - United Kingdom - United States of America

[www.st.com](http://www.st.com)