

# D-SUB Solder Cup

Series

**596**



Rated current	5,0 A
Rated voltage	125 V <sub>RMS</sub> / V <sub>DC</sub>
Withstand voltage	500 V <sub>RMS</sub> for 1 minute
Material contact	Copper alloy
Material insulator	Thermoplast UL94V-0
Operating temperature	-55°C to +85°C
Max. processing temper.	230°C for 10 seconds

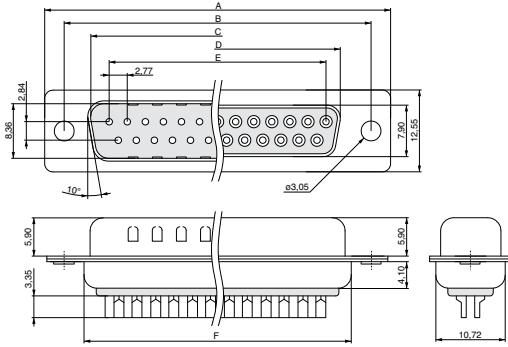
termination



max. pincount  
**037**

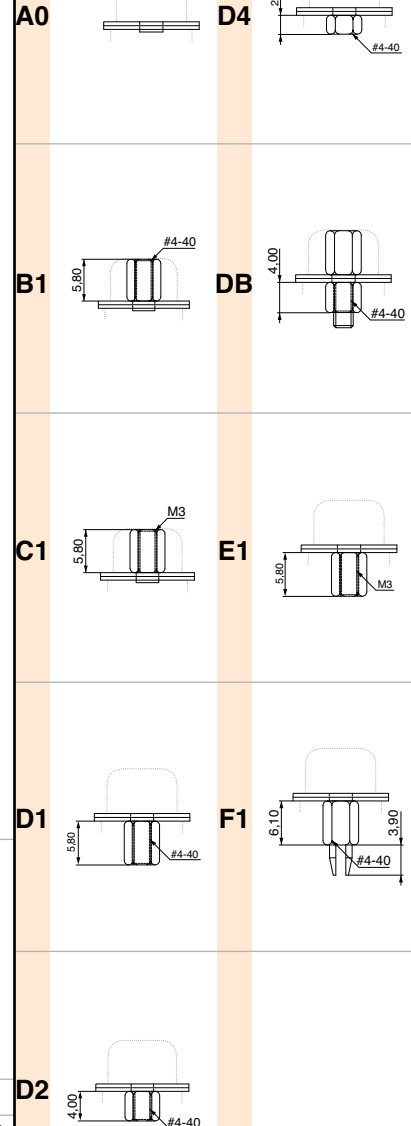
All dimensions in mm.

## Variation / PCB Layout



4

## Mounting option



n	no. of contacts					D2
	A	B	C	D	E	
009	30,81	24,99	16,92	16,33	19,20	
015	39,14	33,32	25,50	24,66	27,70	
025	53,04	47,04	38,96	38,38	41,10	
037	69,32	63,50	55,42	54,84	57,30	

Type:  
F = Female  
M = Male

Colour:  
0 = Black  
3 = Blue  
6 = White

Plating shell:  
N = Ni  
T = Sn

Plating contact:  
T = Sn  
S = Selective Au

Variation

No. of contacts

Type (F,M)

Mounting option (A0,B1,...)

Colour (0,3,6)

Plating shell (N,T)

Plating contact (T,S)



MPE-Garry GmbH • Schäßlerstraße 13 • 87629 Füssen • Germany • Phone: +49 (0) 83 62 / 91 56-0 • Fax: +49 (0) 83 62 / 91 56-500 • Email: vk@mpe-connector.de • www.mpe-connector.de

Product group  
**12**

Order code: **596-4-?-???**