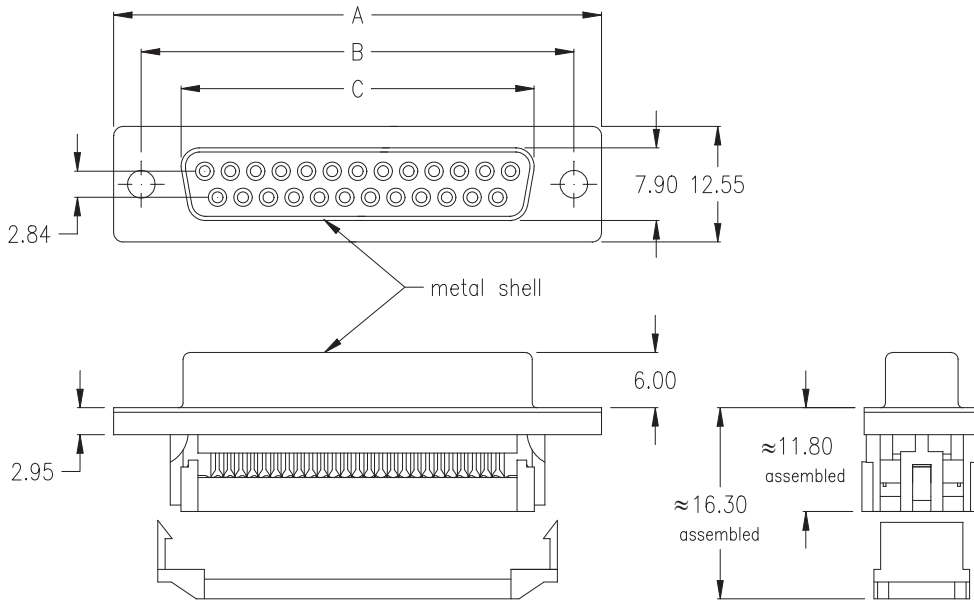
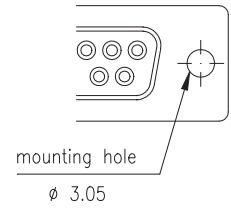




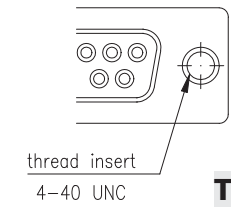
**female**



**Option:**



**TO**



**T**

No. of contacts	Dimension		
	A	B	C
<b>009</b>	30.81 1.213	24.99 .984	16.33 .643
<b>015</b>	39.14 1.541	33.32 1.312	24.66 .971
<b>025</b>	53.04 2.088	47.04 1.852	38.38 1.511
<b>037</b>	69.32 2.729	63.50 2.500	54.84 2.159

Plating: **-95** = tin(*leadfree*)/gold

General Specification page 72

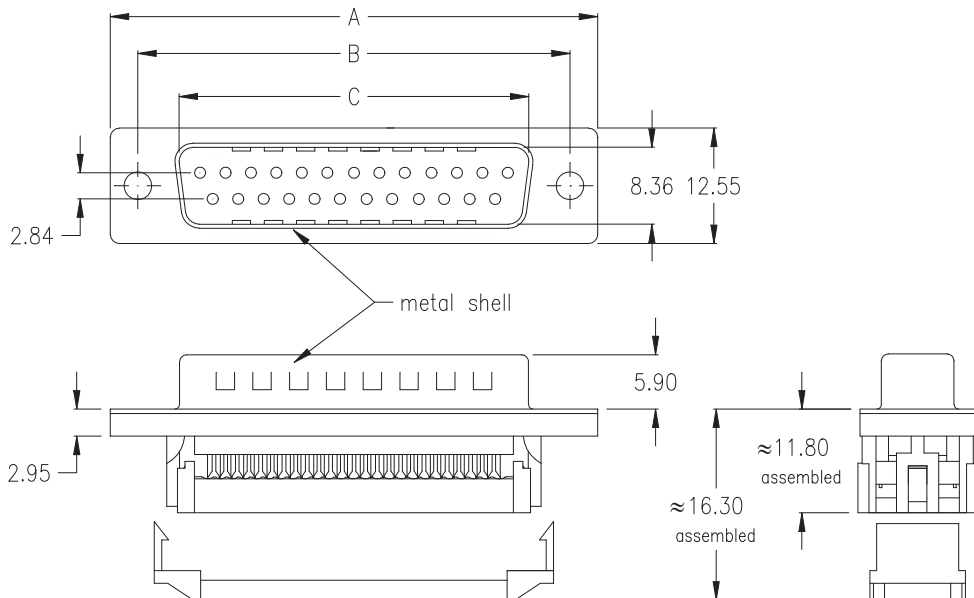
**Ordering Code**

**SKF - xxx - S201 - 95 / XX**

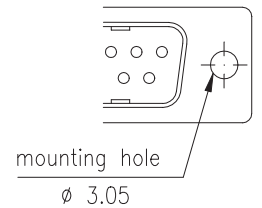
No. of contacts

Option

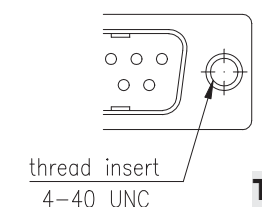
**male**



**Option:**



**TO**



**T**

No. of contacts	Dimension		
	A	B	C
<b>009</b>	30.81 1.213	24.99 .984	16.92 .666
<b>015</b>	39.14 1.541	33.32 1.312	25.25 .994
<b>025</b>	53.04 2.088	47.04 1.852	38.96 1.534
<b>037</b>	69.32 2.729	63.50 2.500	55.42 2.182

Plating: **-95** = tin(*leadfree*)/gold

General Specification page 72

**Ordering Code**

**SKM - xxx - S201 - 95 / XX**

No. of contacts

Option