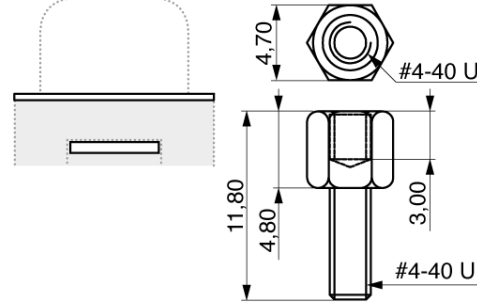


D-SUB right angled version. A wide range of mounting accessories is available. US and european standard.

Through hole 8,10 mm

Gender	Female
No of contacts	9
Plating shell	Ni
Material contact	Copper alloy
Plating contact	Selective Au
Mounting option DSUB	<b>NB</b> - Rivet + jack screw 11,80 mm attached



Colour	Black
Material insulator	Thermoplast UL94V-0
Rated current	5,0 A
Rated voltage	125 VRMS / Vdc
Withstand voltage	500 VRMS for 1 minute
Operating temperature	-55°C to +85°C
Max. processing temper.	230°C for 10 seconds
Packaging	Standard
A	30,81
B	24,99
C	16,92
D	16,33
E	-

