

# Rocker Switches

01



**A1**

42



**SX81**

60



**TECNO**

46



**SX8A**

62



**A8**

48



**SX82**

64



**GP**

50



**SX83**

66



**A2**

52



**SxD1**

68



**A4**

54



**B10**

58

---



# A1

<b>TYPICAL APPLICATIONS</b>	Small appliances
<b>FUNCTIONS</b>	<ul style="list-style-type: none"> <li>■ SPST, momentary or not</li> <li>■ SPDT, momentary or not</li> </ul>
<b>CYCLE No.</b>	50.000
<b>CUT OUT</b>	19x13 mm
<b>AMBIENT TEMPERATURE</b>	125 °C
<b>GWT</b>	850 °C
<b>GWT NO FLAME (&lt;2sec)</b>	750 °C on demand



**A 1**

## DRAWING

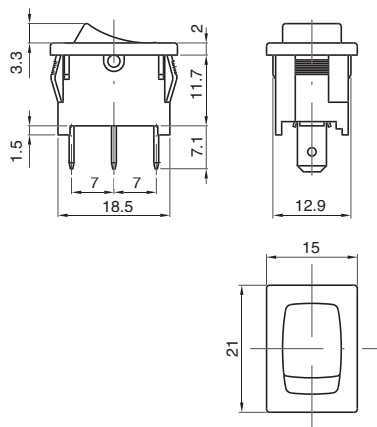
**?**

## TERMINAL

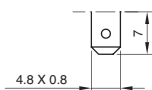


**A1PRT**

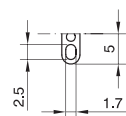
WATERPROOF CAP



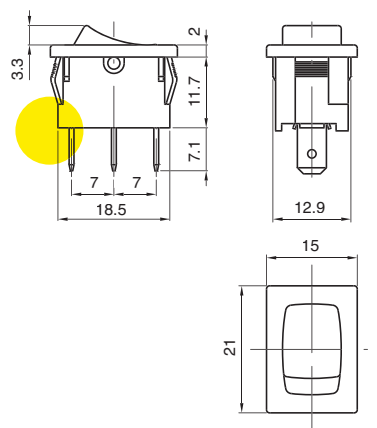
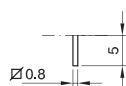
**1**



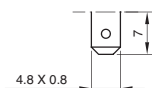
**2**



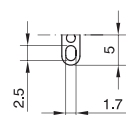
**A**



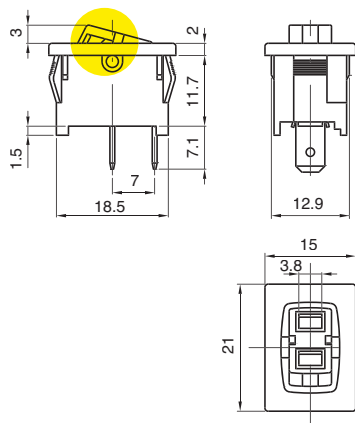
**7**



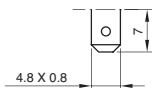
**8**



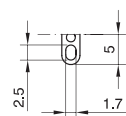
## CUSTOMIZABLE

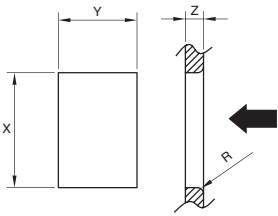


**9**



**E**





Z	Y	X
0,75 ... 1,25	13,0 ±0,1	19,0 ±0,1
1,25 ... 2,0	13,0 ±0,1	19,3 ±0,2
2,0 ... 3,0	13,0 ±0,1	19,6 ±0,2

TERMINAL	FUNCTION	RATING	BODY COLOUR	ROCKER COLOUR	MARKING COLOUR	MARKING
A	1					0 0 0

?	?	?	?	?	?	0 0 0
---	---	---	---	---	---	-------

**FUNCTION**

**RATING**

**BODY COLOUR**

**ROCKER COLOUR**

**MARKING COLOUR**

**MARKING**

**1**

**3** Terminal 1 - 2 - 9 - E

**4** Terminal 1 - 2 - 7 - 8

**A** Terminal 1 - 2 - 7 - 8

**B** Terminal 1 - 2

**2**

Terminal 1 - 2  
Function 4 - A - B

6 (2) A / 250 VAC  
3 (1) A / 250 VAC - 5E4  
T125/55 °C - T125 °C  
EN 61058

6 A - 125 / 250 VAC  
1/10 HP - 125 VAC  
1/6 HP - 250 VAC  
T105 °C  
UL 1054  
CSA C22.2

**3**

Terminal 1 - 2 - 7 - 8 - 9 - A - E  
Function 1 - 3

10 (4) A / 250 VAC  
6 (6) A / 250 VAC  
6 (4) A / 250 VAC - 5E4  
T125/55 °C - T125 °C  
EN 61058

10 A - 125 / 250 VAC  
1/3 HP - 125 VAC  
1/2 HP - 250 VAC  
T105 °C  
UL 1054  
CSA C22.2

**7**

Terminal 7 - 8  
Function 4 - A

10 (2) A / 250 VAC  
6 (1) A / 250 VAC - 5E4  
T125/55 °C - T125 °C  
EN 61058

10 A - 125 / 250 VAC  
1/10 HP - 125 VAC  
1/6 HP - 250 VAC  
T105 °C  
UL 1054  
CSA C22.2

**B**

Terminal 1 - 2 - 9 - E  
Function 1 - 3

13 (4) A / 250 VAC  
6 (6) A / 250 VAC - 5E4  
T125/55 °C - T125 °C  
EN 61058

15 A / 125 VAC  
10 A / 250 VAC  
1/3 HP - 125 VAC  
1/2 HP - 250 VAC  
T105 °C  
UL 1054  
CSA C22.2

**1** black

**2** white

**9** red

**X** custom

**1** black

**2** white

**9** red

**X** custom

**0** none

**1** black

**2** white

**5** grey

**7** light blue

**8** red

**9** orange

**X** custom

**0**

**1**

**2**

**3**

**4**

**5**

**6**

**8**

**C**

**F**

**G**

**Z**

**R**

**X**



# A1

<b>TYPICAL APPLICATIONS</b>	Small appliances
<b>FUNCTIONS</b>	<ul style="list-style-type: none"> <li>■ SPST, illuminated or not</li> <li>■ SPDT</li> <li>■ SPCO</li> </ul>
<b>CYCLE No.</b>	50.000
<b>CUT OUT</b>	19x13 mm
<b>AMBIENT TEMPERATURE</b>	125 °C
<b>GWT</b>	850 °C
<b>GWT NO FLAME (&lt;2sec)</b>	750 °C on demand



**A 1**

## DRAWING

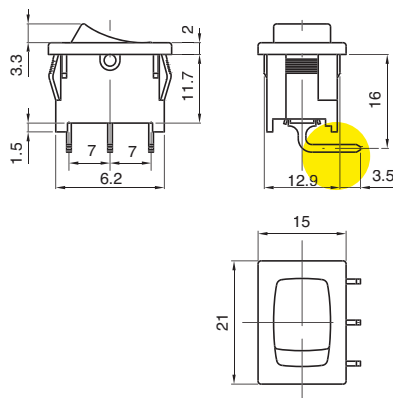
**?**

## TERMINAL

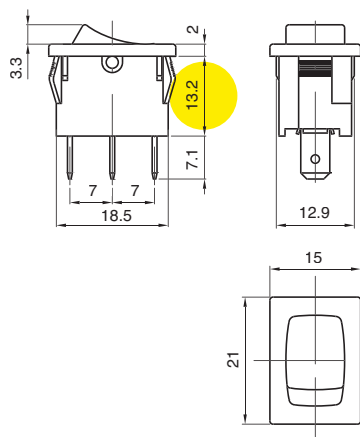
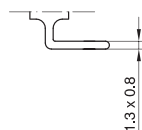


**A1PRT**

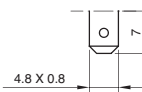
WATERPROOF CAP



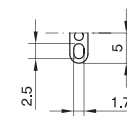
**C**

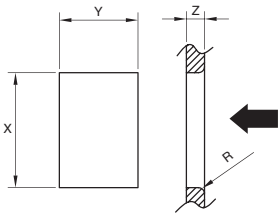


**1**



**2**





Z	Y	X
0,75 ... 1,25	13,0 ±0,1	19,0 ±0,1
1,25 ... 2,0	13,0 ±0,1	19,3 ±0,2
2,0 ... 3,0	13,0 ±0,1	19,6 ±0,2

TERMINAL	FUNCTION	RATING	BODY COLOUR	ROCKER COLOUR	MARKING COLOUR	MARKING
A	1					0 0 0

?	?	?	?	?	?	0 0 0
---	---	---	---	---	---	-------

**FUNCTION      RATING      BODY COLOUR      ROCKER COLOUR      MARKING COLOUR      MARKING**

**1 Terminal C**

**3 Terminal C**

**5 Terminal 1 - 2**

**6 Terminal 1 - 2**

**3**

**Terminal 1 - 2 - C**  
**Function 1 - 3 - 6**  
**10 (4) A / 250 VAC**  
**6 (6) A / 250 VAC**  
**6 (4) A / 250 VAC - 5E4**  
**T125/55 °C - T125 °C**  
**EN 61058**

10 A - 125 / 250 VAC  
 1/3 HP - 125 VAC  
 1/2 HP - 250 VAC  
 T105 °C  
 UL 1054  
 CSA C22.2

**6**

**Terminal 1 - 2**  
**Function 5**  
**10 (2) A / 250 VAC**  
**6 (1) A / 250 VAC - 5E4**  
**T125/55 °C - T125 °C**  
**µ disconnection**  
**EN 61058**

6 A - 125 / 250 VAC  
 1/8 HP - 125 VAC  
 1/6 HP - 250 VAC  
 T105 °C  
 UL 1054  
 CSA C22.2

**B**

**Terminal 1**  
**Function 6**  
**13 (4) A / 250 VAC**  
**6 (6) A / 250 VAC - 5E4**  
**T125/55 °C - T125 °C**  
**EN 61058**

15 A / 125 VAC  
 10 A / 250 VAC  
 1/3 HP - 125 VAC  
 1/2 HP - 250 VAC  
 T105 °C  
 UL 1054  
 CSA C22.2

**Terminal 1 - 2**  
**Function 5**  
**13 (4) A / 250 VAC**  
**6 (6) A / 250 VAC - 5E4**  
**T125/55 °C - T125 °C**  
**µ disconnection**  
**EN 61058**

15 A / 125 VAC  
 10 A / 250 VAC  
 1/3 HP - 125 VAC  
 1/2 HP - 250 VAC  
 T105 °C  
 UL 1054  
 CSA C22.2

**1** black

**2** white

**9** red

**X** custom

**1** black

**2** white

**9** red

**ILLUMINATED**

**G** red

**H** orange

**E** green

**L** white

**X** custom

**0** none

**1** black

**2** white

**5** grey

**7** light blue

**8** red

**9** orange

**X** custom

**0**

**1**

**2**

**3**

**4**

**5**

**6**

**8**

**9**

**C**

**F**

**G**

**Z**

**S**

**R**

**X**



# TECNO

**TYPICAL APPLICATIONS** Cleaning and outdoor, small appliances, chainsaw, gardening

**FUNCTIONS** ■ SPST, momentary or not

**CYCLE No.** 50.000

**CUT OUT** 19x13 mm

**AMBIENT TEMPERATURE** 125 °C

**GWT** 850 °C

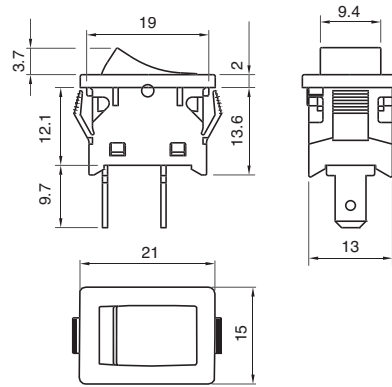
**GWT NO FLAME (<2sec)** 750 °C on demand



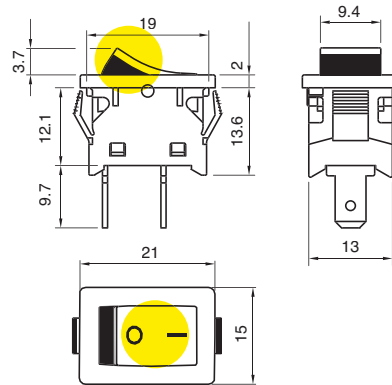
## T E C N O ?

### DRAWING

7



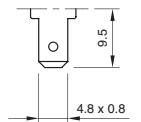
1



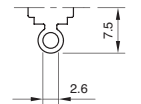
## ?

### TERMINAL

1



2

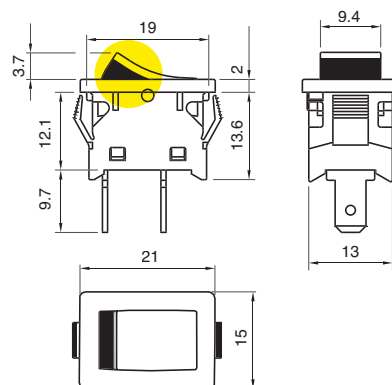


**NOTES**

Water splash proof body

## T E C N O 4

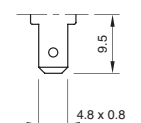
### DRAWING

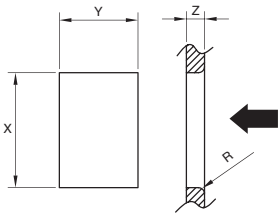


## ?

### TERMINAL

1





Z	Y	X
0,75 ... 3,5	13,0	+0,2 0

T	E	C	N	O	DRAWING	TERMINAL	FUNCTION	RATING	BODY COLOUR	ROCKER COLOUR	MARKING COLOUR	MARKING	0	0	0

?	?	?	?	?	?	?	0	0	0
---	---	---	---	---	---	---	---	---	---

**FUNCTION RATING BODY COLOR ROCKER COLOUR MARKING COLOUR MARKING**

**1**

**4** Drawing 7

**A** Drawing 7

**3**

10 (4) A / 250 VAC  
10 / 100 A / 250 VAC  
6 (4) A / 250 VAC - 5E4  
T125/55 °C  
EN 61058

15 A / 125 VAC  
T65 °C  
UL 1054

**1**

black

**X**

custom

**1**

black

**X**

custom

Drawing 7

**0**

none

**1**

black

**2**

white

**X**

custom

Drawing 1  
Side and marking

**9**

red

**0**

**1**

**3**

**X**

Drawing 1  
from mould

**1**

T	E	C	N	O	4	TERMINAL	FUNCTION	RATING	BODY COLOUR	ROCKER COLOUR	MARKING COLOUR	MARKING	0	0

?	?	?	?	?	?	?	0
---	---	---	---	---	---	---	---

**FUNCTION RATING BODY COLOR ROCKER COLOUR MARKING COLOUR MARKING**

**1**

**3**

10 (4) A / 250 VAC  
10 / 100 A / 250 VAC  
6 (4) A / 250 VAC - 5E4  
T125/55 °C  
EN 61058

15 A / 125 VAC  
T65 °C  
UL 1054

**1**

black

**X**

custom

**19**

Top Side  
black red

**XX**

custom

**0**

none

**2**

white

**X**

custom

**0**

**1**

**3**

**X**





# A8

<b>TYPICAL APPLICATIONS</b>	Small appliances
<b>FUNCTIONS</b>	■ DPST, illuminated or not
<b>CYCLE No.</b>	50.000
<b>CUT OUT</b>	19x13 mm
<b>AMBIENT TEMPERATURE</b>	125°
<b>GWT</b>	850 °C
<b>GWT NO FLAME (&lt;2sec)</b>	750 °C on demand

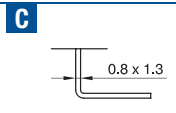
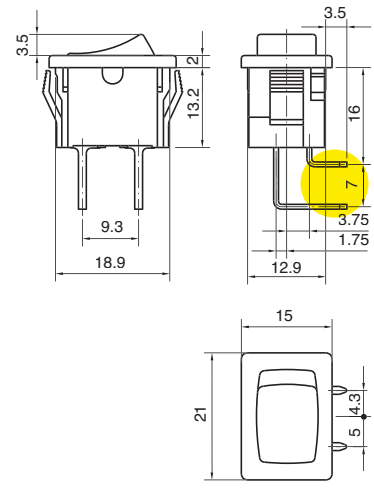
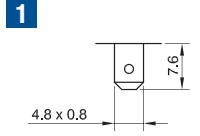
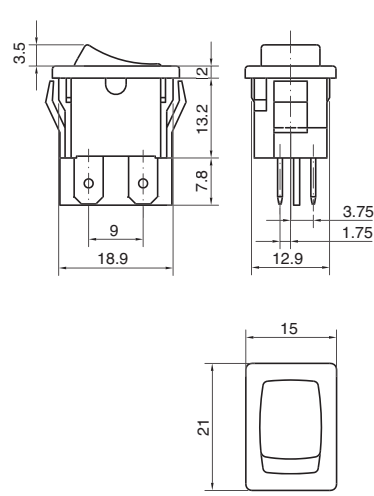


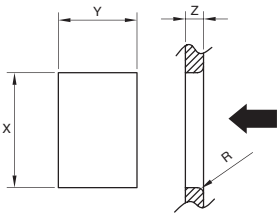
**A 8**

## DRAWING

**?**

## TERMINAL



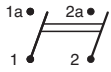


Z	Y	X
0,7 ... 1,25	13,0 ±0,1	19,0 ±0,2
1,25 ... 2,0	13,0 ±0,1	19,3 ±0,2
2,0 ... 3,0	13,0 ±0,1	19,6 ±0,2

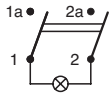
DRAWING TERMINAL	FUNCTION	RATING	BODY COLOUR	ROCKER COLOUR	MARKING COLOUR	MARKING
A	8					
						0 0 0

?	?	?	?	?	?	?	0	0	0
FUNCTION	RATING	BODY COLOUR	ROCKER COLOUR	MARKING COLOUR	MARKING				

2



8



3

10 (4) A / 250 VAC  
6 (4) A / 250 VAC - 5E4  
T125 °C  
EN 61058

10 A - 125 / 250 VAC  
1/3 HP - 125 VAC  
1/2 HP - 250 VAC  
T65 °C  
UL 1054  
CSA C22.2

1

black

2

white

X

custom

1

black

2

white

8

green

ILLUMINATED

G

red

H

orange

E

green

L

white

X

custom

0

none

1

black

2

white

5

grey

7

light blue

8

red

9

orange

X

custom

0



1



4



6



R



X





**GP**

<b>TYPICAL APPLICATIONS</b>	Vacuum and steam cleaners
<b>FUNCTIONS</b>	■ DPST, illuminated or not
<b>CYCLE No.</b>	50.000
<b>CUT OUT</b>	19x13 mm
<b>AMBIENT TEMPERATURE</b>	125 °C
<b>GWT</b>	850 °C
<b>GWT NO FLAME (&lt;2sec)</b>	750 °C on demand



**G P**

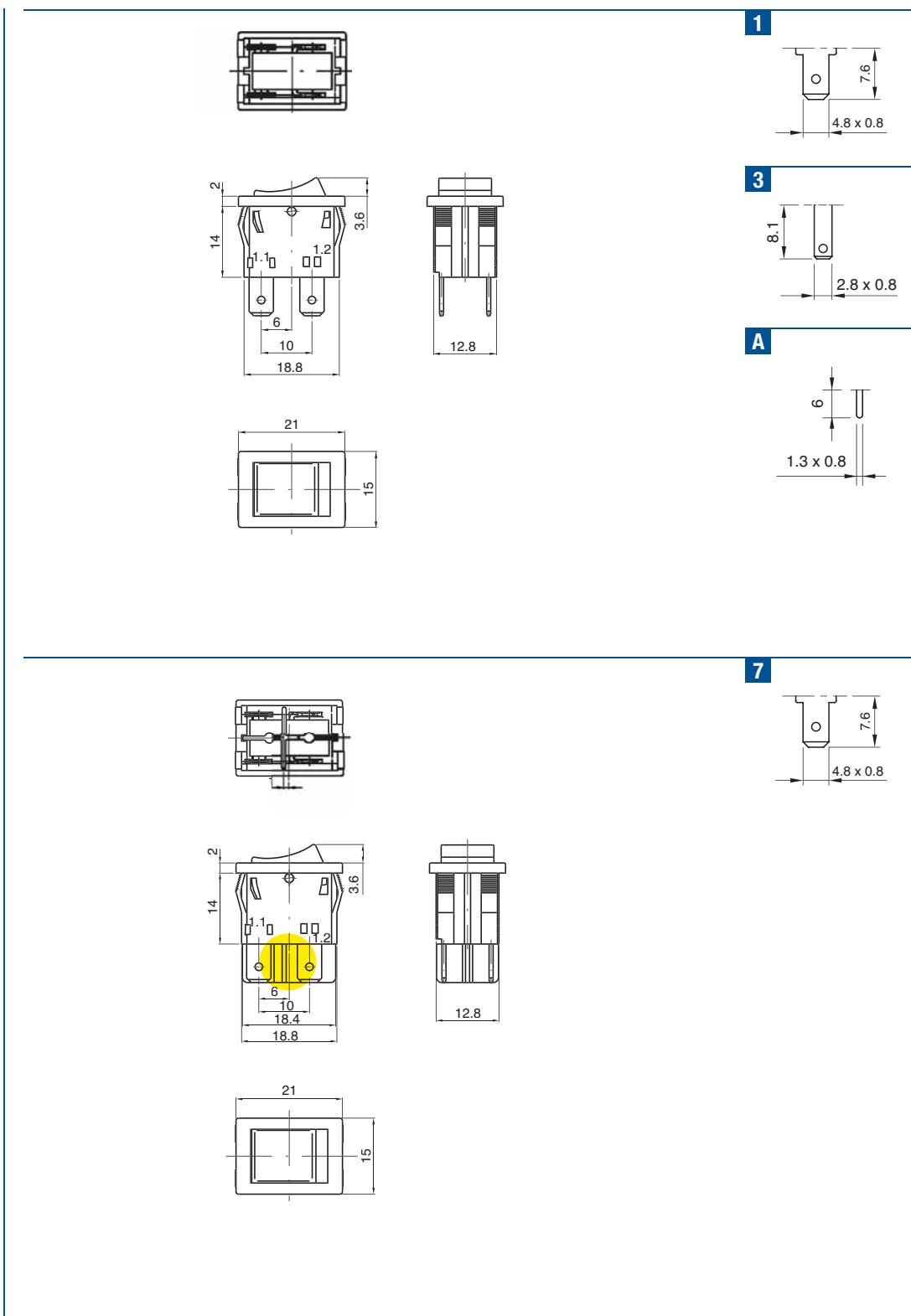
**?**

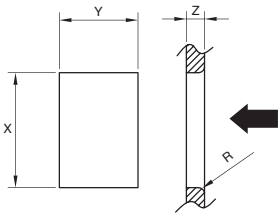
**DRAWING**

**TERMINAL**



WATERPROOF CAP



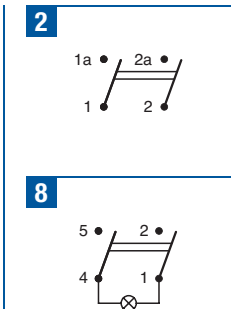


Z	Y	X
0,70 ... 1,25	13,0 ±0,1	19,1 ±0,1
1,25 ... 2,0	13,0 ±0,1	19,4 ±0,1
2,0 ... 3,0	13,0 ±0,1	19,7 ±0,1

TERMINAL	FUNCTION	RATING	BODY COLOUR	ROCKER COLOUR	MARKING COLOUR	MARKING
G	P					
						M 0 0

?	?	?	?	?	?	M 0 0
---	---	---	---	---	---	-------

**FUNCTION      RATING      BODY COLOUR      ROCKER COLOUR      MARKING COLOUR      MARKING**



**H**  
 12 A / 250 VAC  
 6 (6) A / 250 VAC  
 2 / 120 A - 250 VAC  
 5 (5) A / 250 VAC - 5E4  
 T125/55 °C  
 EN 61058

15 A / 125 VAC  
 12 A / 250 VAC  
 T65 °C  
 UL 1054

**1**  
 6 (6) A / 250 VAC  
 T125 °C  
 EN 61058

- 1** black
- 2** white
- X** custom

- 1** black
- 2** white
- 9** red

**ILLUMINATED**

- G** red
- E** green
- X** custom

- 0** none
- 1** black
- 2** white
- 8** red
- X** custom

- 0**
- 1**
- 4**
- 6**
- R**
- X**



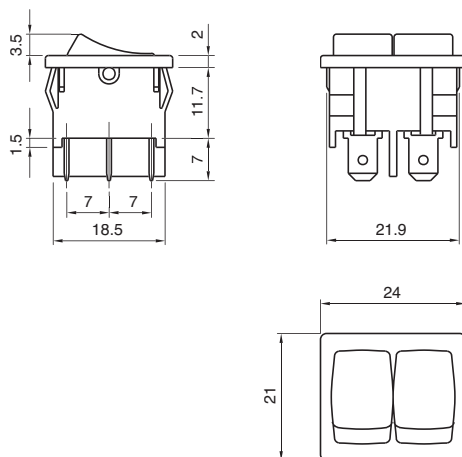
# A2

<b>TYPICAL APPLICATIONS</b>	Hairdryers, small appliances
<b>FUNCTIONS</b>	<ul style="list-style-type: none"> <li>■ Double SPST</li> <li>■ Double SPDT momentary</li> <li>■ SPST, illuminated or not + Indicator light</li> <li>■ SPST + SPCO</li> </ul>
<b>CYCLE No.</b>	50.000
<b>CUT OUT</b>	19x22 mm
<b>AMBIENT TEMPERATURE</b>	125 °C
<b>GWT</b>	850 °C
<b>GWT NO FLAME (&lt;2sec)</b>	750 °C on demand

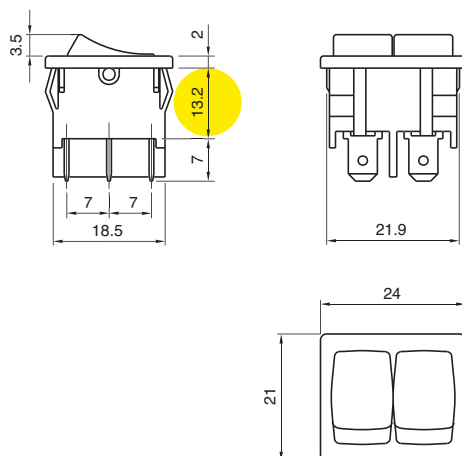


**A 2**

## DRAWING

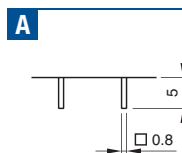
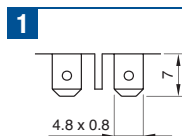


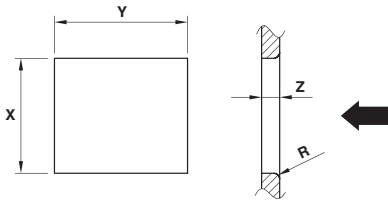
Function K - W



**?**

## TERMINAL





Z	Y	X
0,7 ... 1,25	22,0 ±0,1	19,0 ±0,2
1,25 ... 2,0	22,0 ±0,1	19,3 ±0,2
2,0 ... 3,0	22,0 ±0,1	19,6 ±0,2

TERMINAL	FUNCTION	RATING	BODY COLOUR	ROCKER COLOUR L	ROCKER COLOUR R	MARKING COLOUR	MARKING L	MARKING R
A	2							0 0

FUNCTION	RATING	BODY COLOUR	ROCKER COLOUR	MARKING COLOUR	MARKING
?	?	?	L ? R ?	?	L ? R ?

0	0
---	---

**FUNCTION RATING BODY COLOUR ROCKER COLOUR MARKING COLOUR MARKING**

**1 Terminal 1**

**B Terminal 1**

**G Terminal 1**

**K Terminal A**

**W Terminal 1**

**2**

**Function B**  
 6 (2) A / 250 VAC  
 3 (1) A / 250 VAC - 5E4  
 T125/55 °C - T125 °C  
 EN 61058

6 A - 125 / 250 VAC  
 1/10 HP - 125 VAC  
 1/6 HP - 250 VAC  
 T105 °C  
 UL 1054  
 CSA C22.2

**3**

**Function 1 - G - W**  
 10 (4) A / 250 VAC  
 6 (4) A / 250 VAC - 5E4  
 T125/55 °C - T125 °C  
 EN 61058

10 A - 125 / 250 VAC  
 1/3 HP - 125 VAC  
 1/2 HP - 250 VAC  
 T105 °C  
 UL 1054  
 CSA C22.2

**6**

**Function K**  
 10 (2) A / 250 VAC  
 6 (1) A / 250 VAC - 5E4  
 T125/55 °C - T125 °C  
 µ disconnection  
 EN 61058

6 A - 125 / 250 VAC  
 1/8 HP - 125 VAC  
 1/6 HP - 250 VAC  
 T105 °C  
 UL 1054  
 CSA C22.2

**1** black

**2** white

**X** ? custom

**L** **R**

**1** black

**2** white

**9** red

**B** light blue

**ILLUMINATED** ✨

**G** red

**H** orange

**E** green

**L** white

**X** ? custom

**0** none

**1** black

**2** white

**5** grey

**7** light blue

**8** red

**9** orange

**X** ? custom

**0**

**1**

**2**

**3**

**4**

**5**

**6**

**8**

**9**

**C**

**F**

**G**

**S**

**R**

**Z**

**X**



# A4

**TYPICAL APPLICATIONS** Vacuum cleaners, HVAC

- FUNCTIONS**
- SPST, momentary or not
  - DPST, illuminated or not
  - DPCO
  - DPDT, momentary or not

**CYCLE No.** 50.000

**CUT OUT** 19x22 mm

**AMBIENT TEMPERATURE** 125 °C

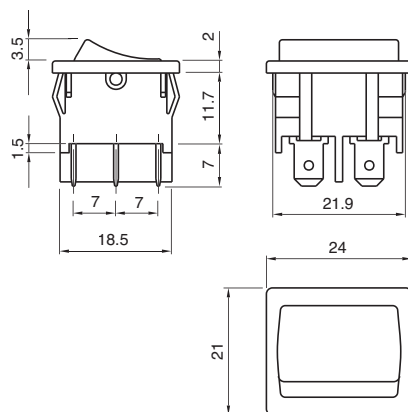
**GWT** 850 °C

**GWT NO FLAME (<2sec)** 750 °C on demand



**A 4**

## DRAWING

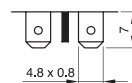


WATERPROOF CAP

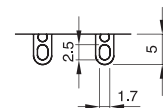
**?**

## TERMINAL

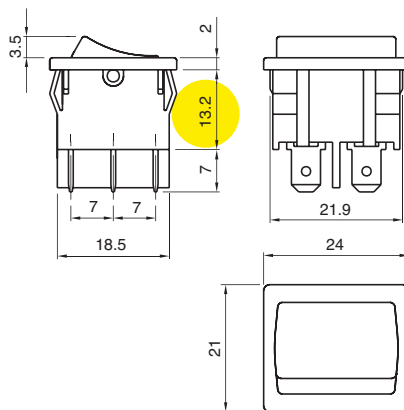
**1**

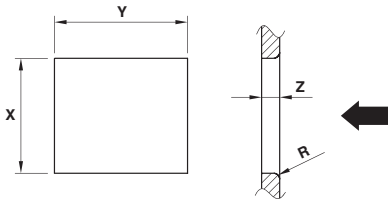


**2**



**Function 9**





Z	Y	X
0,7 ... 1,25	22,0 ±0,1	19,0 ±0,2
1,25 ... 2,0	22,0 ±0,1	19,3 ±0,2
2,0 ... 3,0	22,0 ±0,1	19,6 ±0,2

TERMINAL	FUNCTION	RATING	BODY COLOUR	ROCKER COLOUR	MARKING COLOUR	MARKING
A	4					0 0 0

?	?	?	?	?	?	0	0	0
---	---	---	---	---	---	---	---	---

**FUNCTION RATING BODY COLOUR ROCKER COLOUR MARKING COLOUR MARKING**

**1**

**2**

**4**

**8**

**9**

**L**

**M**

**2**

**Function 4 - M**  
**6 (2) A / 250 VAC**  
**3 (1) A / 250 VAC - 5E4**  
**T125/55 °C - T125 °C**  
**EN 61058**

6 A - 125 / 250 VAC  
 1/6 HP - 250 VAC  
 1/10 HP - 125 VAC  
 T105 °C  
 UL 1054  
 CSA C22.2

**3**

**Function 1 - 2 - L - 8**  
**10 (4) A / 250 VAC**  
**6 (4) A / 250 VAC - 5E4**  
**T125/55 °C - T125 °C**  
**EN 61058**

10 A - 125 / 250 VAC  
 1/3 HP - 125 VAC  
 1/2 HP - 250 VAC  
 T105 °C  
 UL 1054  
 CSA C22.2

**6**

**Function 9**  
**10 (2) A / 250 VAC**  
**6 (1) A / 250 VAC - 5E4**  
**T125/55 °C - T125 °C**  
**μ disconnection**  
**EN 61058**

6 A - 125 / 250 VAC  
 1/8 HP - 125 VAC  
 1/6 HP - 250 VAC  
 T105 °C  
 UL 1054  
 CSA C22.2

**B**

**Function 2**  
**13 (4) A / 250 VAC**  
**8 (8) A / 250 VAC - 5E4**  
**T125/55 °C - T125 °C**  
**EN 61058**

15 A / 125 VAC  
 10 A / 250 VAC  
 1/3 HP - 125 VAC  
 1/2 HP - 250 VAC  
 T105 °C  
 UL 1054  
 CSA C22.2

**Function 9**  
**13 (4) A / 250 VAC**  
**6 (4) A / 250 VAC - 5E4**  
**T125/55 °C - T125 °C**  
**μ disconnection**  
**EN 61058**

15 A / 125 VAC  
 10 A / 250 VAC  
 1/3 HP - 125 VAC  
 1/2 HP - 250 VAC  
 T105 °C  
 UL 1054  
 CSA C22.2

**1** black

**2** white

**X** custom

**1** black

**2** white

**ILLUMINATED**

**G** red

**H** orange

**E** green

**L** white

**X** custom

**0** none

**1** black

**2** white

**5** grey

**7** light blue

**8** red

**9** orange

**X** custom

**0**

**1**

**2**

**3**

**5**

**9**

**C**

**K**

**N**

**Z**

**X**





# A4

<b>TYPICAL APPLICATIONS</b>	Vacuum cleaners, HVAC
<b>FUNCTIONS</b>	<ul style="list-style-type: none"> <li>■ DPST, illuminated or not</li> <li>■ DPDT</li> </ul>
<b>CYCLE No.</b>	50.000
<b>CUT OUT</b>	19x22 mm
<b>AMBIENT TEMPERATURE</b>	125 °C
<b>GWT</b>	850 °C
<b>GWT NO FLAME (&lt;2sec)</b>	750 °C on demand



**A 4**

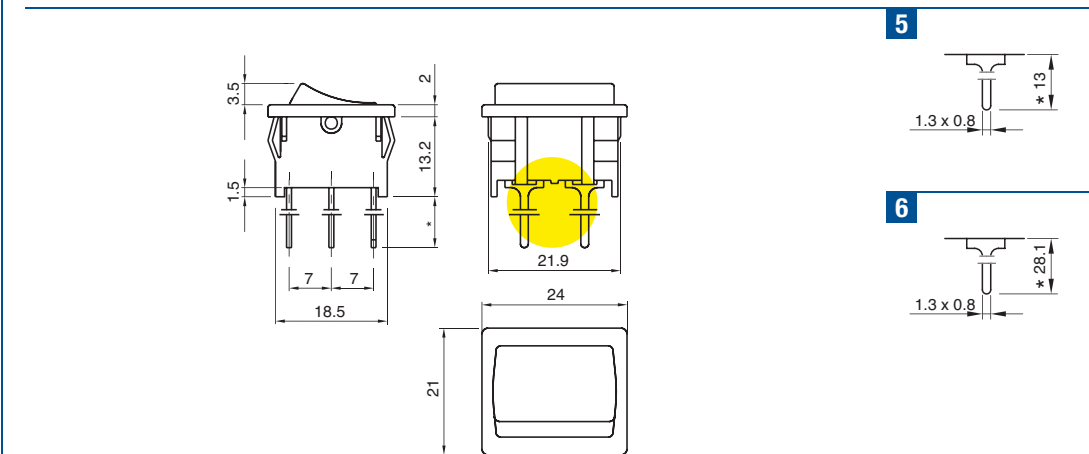
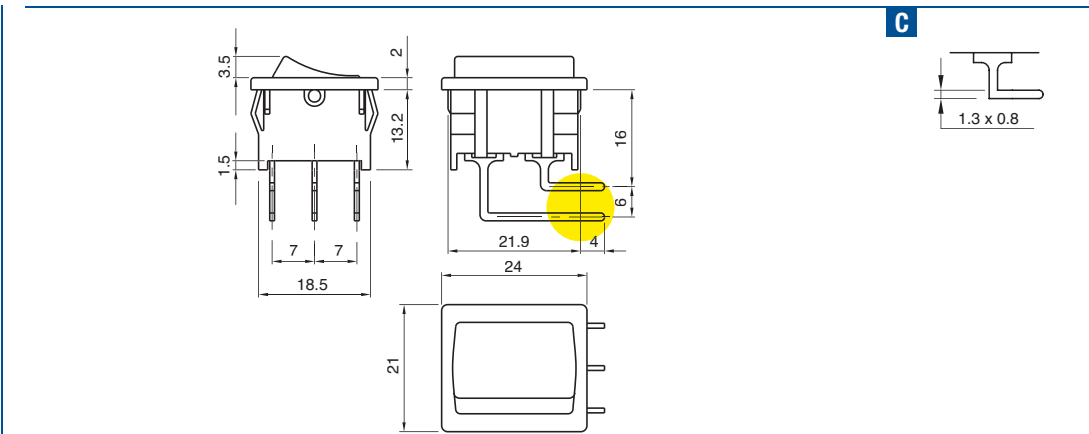
## DRAWING

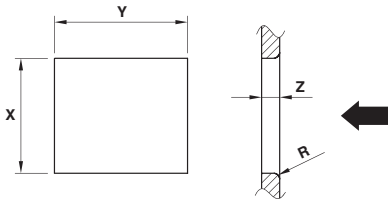
**?**

## TERMINAL



WATERPROOF CAP



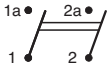


Z	Y	X
0,7 ... 1,25	22,0 ±0,1	19,0 ±0,2
1,25 ... 2,0	22,0 ±0,1	19,3 ±0,2
2,0 ... 3,0	22,0 ±0,1	19,6 ±0,2

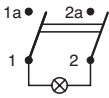
TERMINAL	FUNCTION	RATING	BODY COLOUR	ROCKER COLOUR	MARKING COLOUR	MARKING
A	4					0 0 0

?	?	?	?	?	?	0	0	0
FUNCTION	RATING	BODY COLOUR	ROCKER COLOUR	MARKING COLOUR	MARKING			

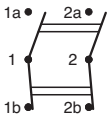
**2** Terminal C - 6



**8** Terminal C



**L** Terminal 5



**3**

10 (4) A / 250 VAC  
 6 (4) A / 250 VAC - 5E4  
 T125/55 °C - T125 °C  
 EN 61058

10 A - 125 / 250 VAC  
 1/3 HP - 125 VAC  
 1/2 HP - 250 VAC  
 T105 °C  
 UL 1054  
 CSA C22.2

**1** black

**2** white

**X** custom

**1** black

**2** white

**ILLUMINATED**

**G** red

**H** orange

**E** green

**L** white

**X** custom

**0** none

**1** black

**2** white

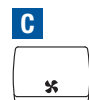
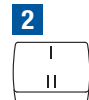
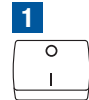
**5** grey

**7** light blue

**8** red

**9** orange

**X** custom





# B10

**TYPICAL APPLICATIONS** Ironing systems

**FUNCTIONS**

- SPST, momentary or not
- SPDT, momentary or not
- SPCO

**CYCLE No.** 50.000

**CUT OUT** 27x12 mm

**AMBIENT TEMPERATURE** 120 °C

**GWT** 850 °C

**GWT NO FLAME (<2sec)** 750 °C on demand

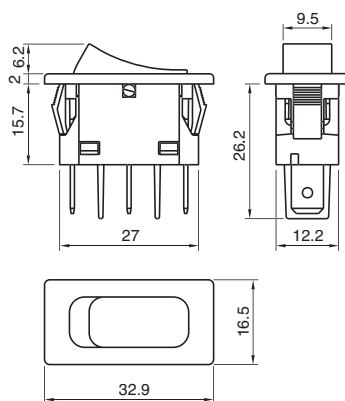


**B 1 0**

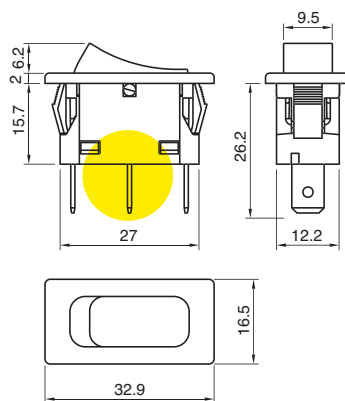
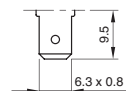
**?**

## DRAWING

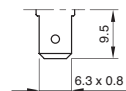
## TERMINAL



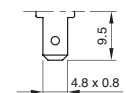
**1**



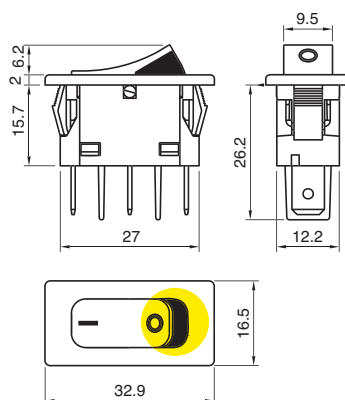
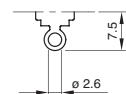
**6**



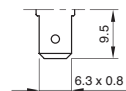
**T**

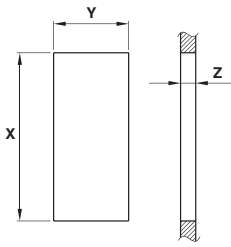


**U**



**3**





Z	Y	X
0,75 ... 1,25	12,4 $^{+0,2}_0$	27,4 $^{+0,1}_0$
1,25 ... 2,0	12,4 $^{+0,2}_0$	27,6 $^{+0,1}_0$
2,0 ... 3,0	12,4 $^{+0,2}_0$	27,8 $^{+0,1}_0$

TERMINAL	FUNCTION	RATING	BODY COLOUR	ROCKER COLOUR	MARKING COLOUR	MARKING
B	1	0				
						0 0 0

?	?	?	?	?	?	0	0	0
---	---	---	---	---	---	---	---	---

**FUNCTION      RATING      BODY COLOUR      ROCKER COLOUR      MARKING COLOUR      MARKING**

**1**

**3** Terminal 1 - 6 - U

**4** Terminal 1 - 6 - U

**5** Terminal 1 - 6 - U

**A** Terminal 1 - 6 - U

**B** Terminal 1 - 6 - U

**1**

**Function 1**

4 (1) A / 250 VAC  
 2 (0.5) A / 250 VAC - 5E4  
 T120/55 °C  
 EN 61058

**C**

**Terminal 1 - 6 - U - 3**

16 (6) A / 250 VAC  
 10 (4) A / 250 VAC - 5E4  
 T120/55 °C  
 EN 61058

20 A / 125 VAC  
 16 A / 250 VAC  
 1/3 HP - 125 VAC  
 3/4 HP - 250 VAC  
 T105 °C  
 UL 1054  
 CSA C22.2

**1** black

**2** white

**X** ? custom

**1** black

**2** white

**9** red

**X** ? custom

**0** none

**1** black

**2** white

**5** grey

**7** light blue

**8** red

**9** orange

**X** ? custom

Terminal 3 side and marking

**8** green

**0**

**1**

**2**

**9**

**A**

**N**

**X** ?

Terminal 3 from mould

**1**



# SX81



**TYPICAL APPLICATIONS** Refrigerators, electromedical appliances  
coffee machines, gardening equipments

**FUNCTIONS**

- SPST, momentary or not
- SPST illuminated
- SPDT
- SPCO

**CYCLE No.** 50.000

**CUT OUT** 30x11 mm

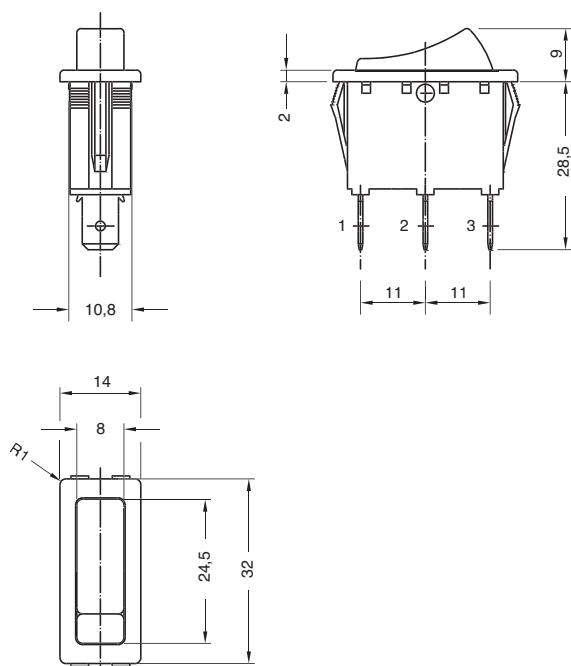
**AMBIENT TEMPERATURE** 125 °C

**GWT** 850 °C

**GWT NO FLAME (<2sec)** 750 °C on demand

S X 8 1 ?

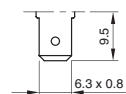
## DRAWING



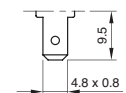
?

## TERMINAL

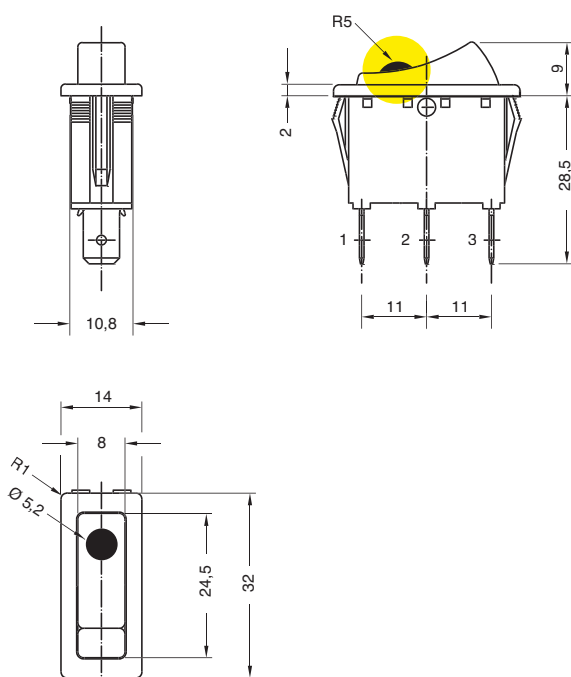
1



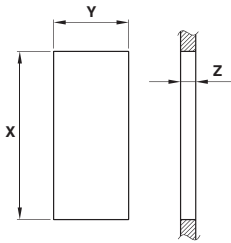
2



3



WATERPROOF CAP



	Z	Y	X
PLASTIC	0,7 ... 3,5	11,0 ±0,1	30,0 <sup>+0,2</sup> / <sub>0</sub>
METAL	0,7 ... 2,5	11,0 ±0,1	30,2 <sup>+0,2</sup> / <sub>0</sub>

S	X	8	1	DRAWING	TERMINAL	FUNCTION	RATING	BODY COLOUR	ROCKER COLOUR	MARKING COLOUR	MARKING	LENS COLOUR	0	0	0	

?	?	?	?	?	?	?	?	?	?	?	?	?	?	?	?	?
FUNCTION	RATING	BODY COLOUR	ROCKER COLOUR	MARKING COLOUR	MARKING	LENS COLOUR	LENS COLOUR	LENS COLOUR	LENS COLOUR	LENS COLOUR	LENS COLOUR	LENS COLOUR	LENS COLOUR	LENS COLOUR	LENS COLOUR	LENS COLOUR

**1**

**3**

**4**

**5**

**6**

**8**

**Function 1**  
 20 (2) A / 250 VAC \*  
 16 (8) A / 250 VAC  
 10 (4) A / 400 VAC  
 10 (6) A / 250 VAC - 5E4  
 T125/55 °C  
 EN 61058

20 A / 125 VAC  
 16 A / 250 VAC  
 3/4 HP - 125 / 250 VAC  
 T105 °C  
 UL 1054

**Function 3 - 4 - B**  
 16 (6) A / 250 VAC  
 10 (4) A / 400 VAC  
 10 (4) A / 250 VAC - 5E4  
 T125/55 °C  
 EN 61058

20 A / 125 VAC  
 16 A / 250 VAC  
 3/4 HP - 125 / 250 VAC  
 T105 °C  
 UL 1054

**Function 5**  
 16 (6) A / 250 VAC  
 10 (4) A / 250 VAC - 5E4  
 T125/55 °C  
 EN 61058

16 A - 125 / 250 VAC  
 3/4 HP - 125 / 250 VAC  
 T105 °C  
 UL 1054

**Function 6**  
 20 (2) A / 250 VAC \*  
 16 (8) A / 250 VAC  
 10 (6) A / 250 VAC - 5E4  
 T125/55 °C  
 EN 61058

20 A / 125 VAC  
 16 A / 250 VAC  
 3/4 HP - 125 / 250 VAC  
 T105 °C  
 UL 1054

\* Not available with terminal 2

**1** black

**2** white

**X** custom

**1** black

**2** white

**9** red

**ILLUMINATED**

**G** red

**H** orange

**E** green

**X** custom

**0** none

**1** black

**2** white

**X** custom

**0**

**1**

**2**

**6**

**A**

**C**

**N**

**X**

**0** none

**ILLUMINATED**

**G** red

**H** orange

**E** green

**X** custom



# SX8A

**TYPICAL APPLICATIONS** Small appliances

**FUNCTIONS** ■ SPST, illuminated or not

**CYCLE No.** 50.000

**CUT OUT** 28,2x14 mm

**AMBIENT TEMPERATURE** 125 °C

**GWT** 850 °C

**GWT NO FLAME (<2sec)** 750 °C on demand



S

X

8

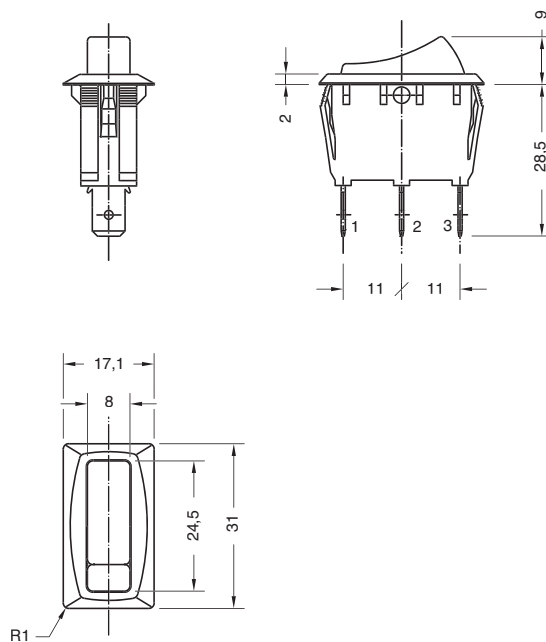
A

?

?

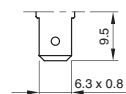
## DRAWING

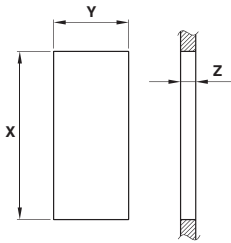
1



## TERMINAL

1





US cut out

Z	Y	X
0,7	14,0 ±0,1	28,2 ±0,1

S	X	8	A	DRAWING	TERMINAL	FUNCTION	RATING	BODY COLOUR	ROCKER COLOUR	MARKING COLOUR	MARKING	0	0	0	0

?	?	?	?	?	?	0	0	0	0
FUNCTION	RATING	BODY COLOUR	ROCKER COLOUR	MARKING COLOUR	MARKING				

**1**

**6**

**?**

Other function available on demand

**8**

**Function 1**

20 (2) A / 250 VAC  
 16 (8) A / 250 VAC  
 10 (6) A / 250 VAC - 5E4  
 10 (4) A / 400 VAC  
 T125/55 °C  
 EN 61058

20 A / 125 VAC  
 3/4 HP - 125 VAC  
 16 A / 250 VAC  
 3/4 HP - 250 VAC  
 T105 °C  
 UL 1054

**Function 6**

20 (2) A / 250 VAC  
 16 (8) A / 250 VAC  
 10 (6) A / 250 VAC - 5E4  
 T125/55 °C  
 EN 61058

20 A / 125 VAC  
 3/4 HP - 125 VAC  
 16 A / 250 VAC  
 3/4 HP - 250 VAC  
 T105 °C  
 UL 1054

**B**

**Function 6**

20 (2) A / 250 VAC  
 16 (8) A / 250 VAC  
 10 (6) A / 250 VAC - 5E4  
 T125/55 °C  
 EN 61058

16 A / 250 VAC  
 3/4 HP - 250 VAC  
 T105 °C  
 UL 1054

**1** black

**2** white

**X** **?** custom

**1** black

**2** white

**9** red

ILLUMINATED

**G** red

**H** orange

**E** green

**X** **?** custom

**0** none

**1** black

**2** white

**X** **?** custom

**0**

**1**

**2**

**6**

**C**

**N**

**X** **?**

0	0	0	0
---	---	---	---





# SX82



**TYPICAL APPLICATIONS** Coffee machines, refrigerators, ironing steam generators, medical appliances, vacuum cleaners, power inlet

- FUNCTIONS**
- SPST, illuminated or not
  - DPST, momentary or not
  - DPST, illuminated or not
  - DPCO
  - DPDT

**CYCLE No.** 50.000

**CUT OUT** 30x22 mm

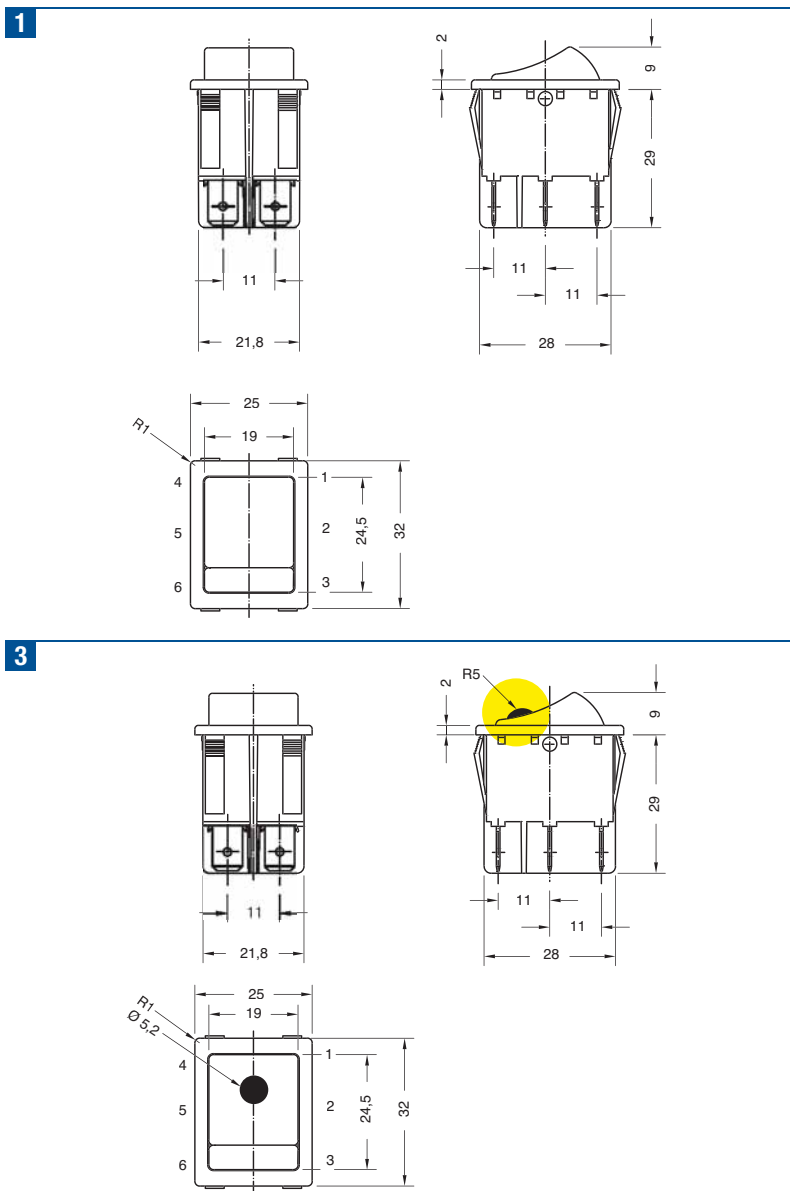
**AMBIENT TEMPERATURE** 125 °C

**GWT** 850 °C

**GWT NO FLAME (<2sec)** 750 °C on demand

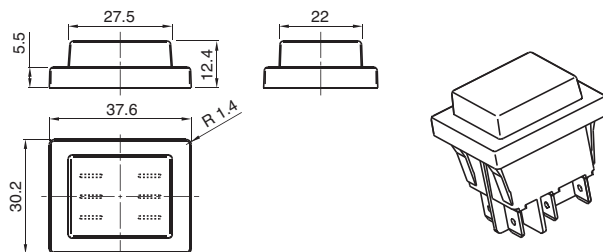
S X 8 2 ?

## DRAWING



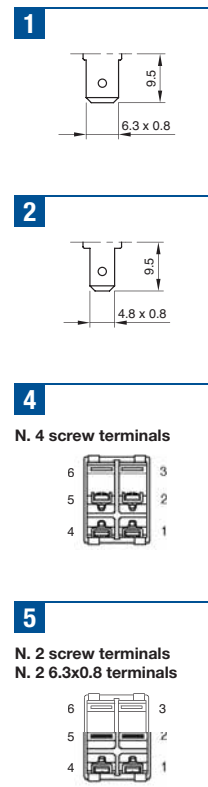
**P** (1 + waterproof cap mounted)

**Q** (3 + waterproof cap mounted)

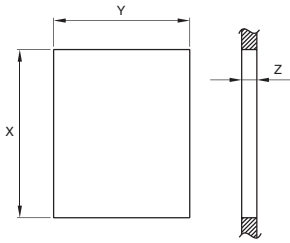


?

## TERMINAL



WATERPROOF CAP



		Z	Y	X
<b>STANDARD</b>	PLASTIC	0,7 ... 3,5	22 ±0,1	30 +0,2 0
<b>WATERPROOF CAP VERSION</b>	METAL	0,7 ... 2,5	22 ±0,1	30,2 +0,2 0

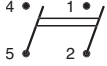
DRAWING	TERMINAL	FUNCTION	RATING	BODY COLOUR	ROCKER COLOUR	MARKING COLOUR	MARKING	LENS COLOUR
S	X	8	2					0 0 0

?	?	?	?	?	?	?	?	0	0	0
FUNCTION	RATING	BODY COLOUR	ROCKER COLOUR	MARKING COLOUR	MARKING	LENS COLOUR				

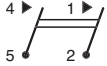
**1** Terminal 1 - 2



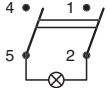
**2**



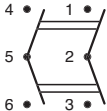
**7** Terminal 1



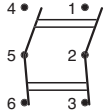
**8**



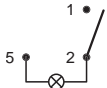
**9** Terminal 1



**L** Terminal 1



**W** Terminal 1



**8**

**Function 1 - 2**  
 20 (2) A / 250 VAC \*  
 16 (8) A / 250 VAC  
 10 (6) A / 250 VAC - 5E4  
 10 (4) A / 400 VAC  
 T125/55 °C  
 EN 61058

20 A / 125 VAC  
 16 A / 250 VAC  
 3/4 HP - 125 / 250 VAC  
 T105 °C  
 UL 1054

**Function 7 - L**  
 16 (6) A / 250 VAC  
 10 (4) A / 400 VAC  
 10 (4) A / 250 VAC - 5E4  
 T125/55 °C  
 EN 61058

20 A / 125 VAC  
 16 A / 250 VAC  
 3/4 HP - 125 / 250 VAC  
 T105 °C  
 UL 1054

**Function 8 - W**  
 20 (2) A / 250 VAC \*  
 16 (8) A / 250 VAC  
 10 (6) A / 250 VAC - 5E4  
 T125/55 °C  
 EN 61058

20 A / 125 VAC  
 16 A / 250 VAC  
 3/4 HP - 125 / 250 VAC  
 T105 °C  
 UL 1054

**Function 9**  
 16 (6) A / 250 VAC  
 10 (4) A / 250 VAC - 5E4  
 T125/55 °C  
 EN 61058

16 A / 125 VAC  
 16 A / 250 VAC  
 3/4 HP - 125 / 250 VAC  
 T105 °C  
 UL 1054

**B**

**Function 8 - W**  
 20 (2) A / 250 VAC \*  
 16 (8) A / 250 VAC  
 10 (6) A / 250 VAC - 5E4  
 T125/55 °C  
 EN 61058

16 A / 250 VAC  
 3/4 HP - 250 VAC  
 T105 °C  
 UL 1054

\* Not available for terminal 2

**1** black

**2** white

**X** ? custom

**1** black

**2** white

**ILLUMINATED**

**G** red

**H** orange

**E** green

**L** white

**F** blue

**X** ? custom

**1** black

**2** white

**0** none

**X** ? custom

**1**

**2**

**6**

**9**

**A**

**C**

**D**

**N**

**0**

**X** ?

**0** none

**ILLUMINATED**

**G** red

**H** orange

**E** green

**X** ? custom



# SX83



**TYPICAL APPLICATIONS** Small appliances

**FUNCTIONS**

- Double SPST, illuminated or not
- Double SPDT
- SPST, illuminated or not + Indicator light
- SPST + SPCO

**CYCLE No.** 50.000

**CUT OUT** 30x22 mm

**AMBIENT TEMPERATURE** 125 °C

**GWT** 850 °C

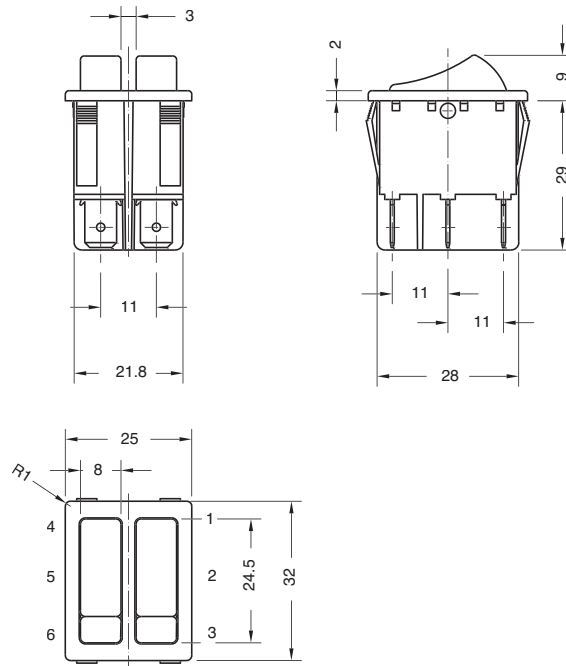
**GWT NO FLAME (<2sec)** 750 °C on demand

**S X 8 3**

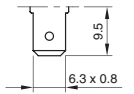
## DRAWING

**?**

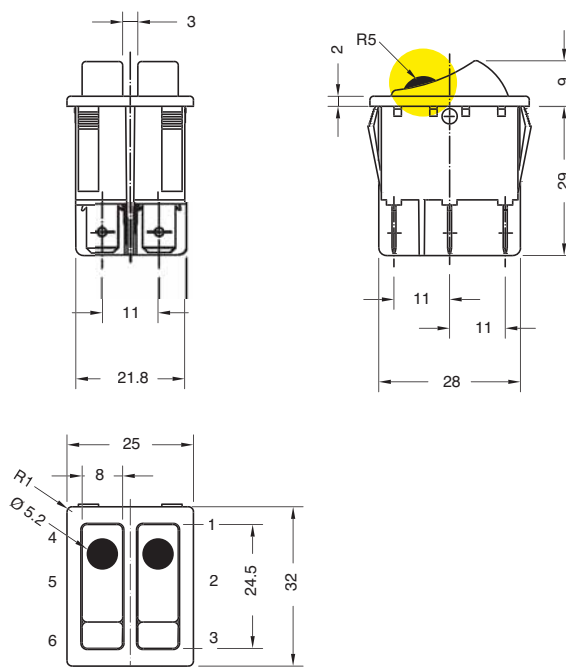
## TERMINAL



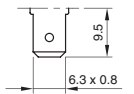
**1**



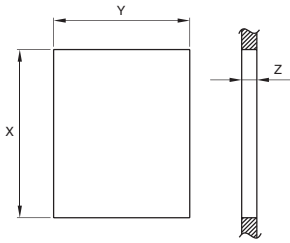
**P** (1 + waterproof cap mounted)



**3**



**Q** (3 + waterproof cap mounted)



	Z	Y	X
PLASTIC	0,7 ... 3,5	22 ±0,1	30 +0,2 0
METAL	0,7 ... 2,5	22 ±0,1	30,2 +0,2 0

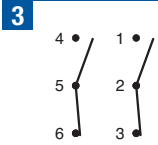
TERMINAL	FUNCTION	RATING	BODY COLOUR	ROCKER COLOUR L	ROCKER COLOUR R	MARKING COLOUR	MARKING L	MARKING R	LENS COLOUR
S	X	8	3						

?	?	?	L ? R ?	?	L ? R ?	?
FUNCTION	RATING	BODY COLOUR	ROCKER COLOUR	MARKING COLOUR	MARKING	LENS COLOUR

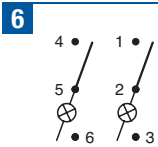
0	0
---	---



**8**  
**Function 1**  
 20 (2) A / 250 VAC  
 16 (8) A / 250 VAC  
 10 (4) A / 400 VAC  
 10 (6) A / 250 VAC - 5E4  
 T125/55 °C  
 EN 61058

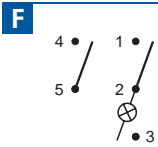


20 A / 125 VAC  
 16 A / 250 VAC  
 3/4 HP - 125 / 250 VAC  
 T105 °C  
 UL 1054



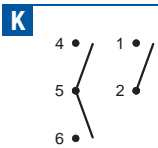
**Function 3**  
 16 (8) A / 250 VAC  
 10 (4) A / 400 VAC  
 10 (6) A / 250 VAC - 5E4  
 T125/55 °C  
 EN 61058

20 A / 125 VAC  
 16 A / 250 VAC  
 3/4 HP - 125 / 250 VAC  
 T105 °C  
 UL 1054

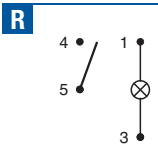


**Function W - 6**  
 20 (2) A / 250 VAC  
 16 (8) A / 250 VAC  
 10 (6) A / 250 VAC - 5E4  
 T125/55 °C  
 EN 61058

20 A / 125 VAC  
 16 A / 250 VAC  
 3/4 HP - 125 / 250 VAC  
 T105 °C  
 UL 1054

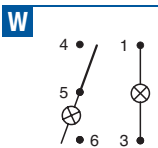


**A**  
**Function R**  
 20 (2) A / 250 VAC  
 16 (8) A / 250 VAC  
 10 (6) A / 250 VAC - 5E4  
 T125/55 °C  
 EN 61058



**B**  
**Function 6 - F**  
 20 (2) A / 250 VAC  
 16 (8) A / 250 VAC  
 10 (6) A / 250 VAC - 5E4  
 T125/55 °C  
 EN 61058

16 A / 250 VAC  
 3/4 HP - 250 VAC  
 T105 °C  
 UL 1054



**D**  
**Function K**  
 16 (6) A / 250 VAC  
 10 (4) A / 250 VAC - 5E4  
 T125/55 °C  
 EN 61058

- 1** black
- 2** white
- X** custom

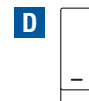
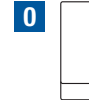
- 1** black
- 2** white

**ILLUMINATED**

- G** red
- H** orange
- E** green

- X** custom

- 0** none
- 1** black
- 2** white
- X** custom



- 0** none

**ILLUMINATED**

- G** red
- H** orange
- E** green
- X** custom



# SXD1

**TYPICAL APPLICATIONS** Coffee makers, electric fryers, crêpes machines, ironing steam generators

**FUNCTIONS**

- SPST, momentary or not
- SPST, illuminated or not version with led light available

**CYCLE No.** 50.000

**CUT OUT** See drawing

**AMBIENT TEMPERATURE** 125 °C

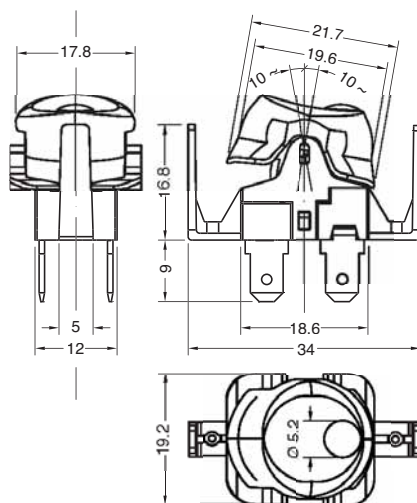
**GWT** 850 °C

**GWT NO FLAME (<2sec)** 750 °C on demand

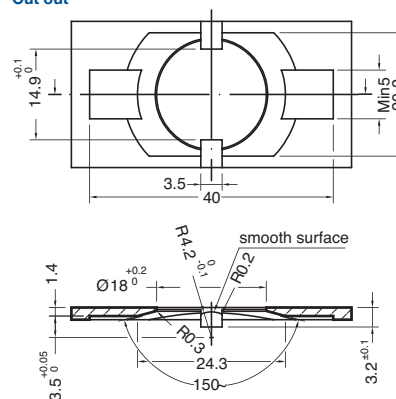


S X D 1 ?

## DRAWING



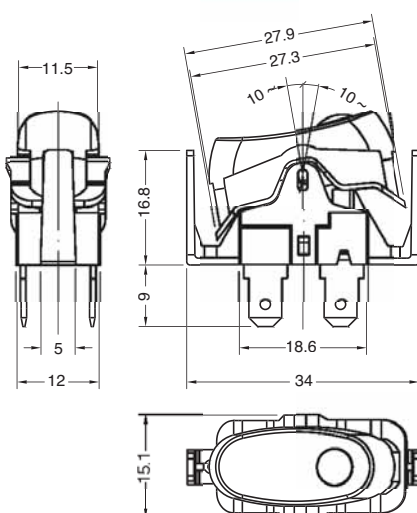
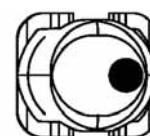
### Cut out



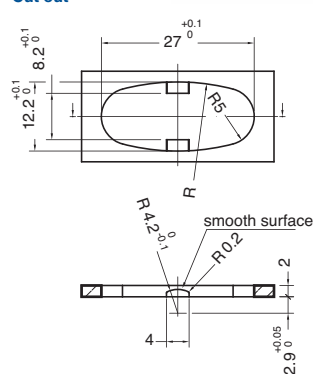
1



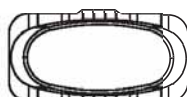
2



### Cut out



3



4

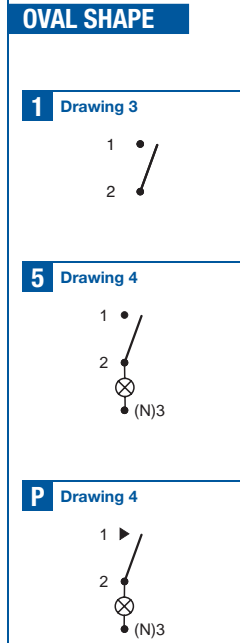
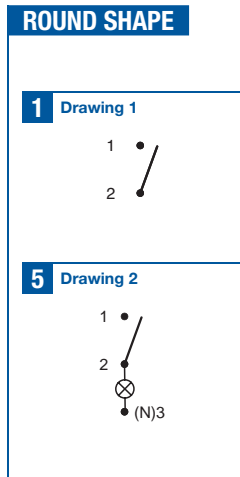
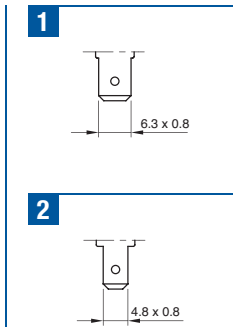


C

Custom rocker shape

	DRAWING	TERMINAL	FUNCTION	RATING	ROCKER COLOUR	LENS COLOUR	CUSTOM SHAPE			
S	X	D	1					0	0	0

?	?	?	?	?	?	?	?	0	0	0
TERMINAL	FUNCTION	RATING	ROCKER COLOUR	LENS COLOUR	CUSTOM SHAPE					



**A**

**Function 1-5**  
 16 (4) A / 250 VAC  
 10 (8) A / 250 VAC - 5E4  
 T125/55 °C  
 EN 61058

**Function P**  
 12 (6) A / 250 VAC  
 8 (4) A / 250 VAC - 5E4  
 T125/55 °C  
 EN 61058

**B**

**Function 1-5**  
 16 A / 125 VAC  
 1 HP / 125 VAC  
 T105 °C  
 UL 1054

**C**

**Function 1-5**  
 16 (4) A / 250 VAC  
 T125/55 °C  
 EN 61058

16 A 125 / 250 VAC  
 1 HP 125 / 250 VAC  
 T105 °C  
 UL 1054

**Function P**  
 12 (6) A / 250 VAC  
 T125/55 °C  
 EN 61058

12 A 125 / 250 VAC  
 1/2 HP 125 / 250 VAC  
 T105 °C  
 UL 1054

**E**

**Function 1-5**  
 16 A / 250 VAC  
 1 HP / 250 VAC  
 T105 °C  
 UL 1054

**1** black

**2** white

**X** custom

**0** none

**ILLUMINATED** ✨

**G** red

**H** orange

**L** white

**E** green

**X** custom

**0** none

**X** custom