



C 091 B

- Bayonet locking
- Plastic locking ring
- 2 - 8, 12 and 14 positions for crimp and solder
- IP 40
- Internal strain relief
- Male and female cable connectors straight and angled
- Male and female receptacles for front and rear panel mounting and PCB mounting
- Coloured back shells optional
- UL registered under file number E 63 093 UL

C 091 B Characteristics

General Characteristics	Standard	Characteristics									
Number of contacts		3	4	5	5 Stereo	6	7	7	8	12	14
View on termination side of male contact insert											
Contact arrangement	DIN EN 61076-2-106	03-a	04-a	05-a	05-b	06-a	07-a	07-b	08-a	12-a	14-a
Contact arrangement	IEC 60130-9 ¹⁾	✓	✓		✓	✓		✓	✓		
Electrical Characteristics											
Rated voltage	IEC 60664-1	300 V ≈			100 V ≈	300 V ≈			150 V ≈		
Rated voltage	UL 1977	250 V								60 V	
Rated impulse withstand voltage	IEC 60664-1	1500 V			1200 V	1500 V			1200 V		
Pollution degree	IEC 60664-1	1									
Installation category	IEC 60664-1	I									
Insulation group	IEC 60664-1	II, 400 ≤ CTI < 600									
Current rating	IEC 60512-5-2 UL 1977	5 A / + 40 °C / + 104 °F please refer also to current derating curves page 59								3 A / + 40 °C / + 104 °F	
Insulation resistance	IEC 60512-3-1	> 10 ¹⁰ Ω ²⁾									
Contact resistance	IEC 60512-2-1	< 5 m Ω									
Climatic Characteristics											
Climatic category	IEC 60668-1	40 / 100 / 56									
Temperature range	IEC 60668-1	- 40 °C ... + 100 °C / - 40 °F ... + 212 °F									
Mechanical Characteristics											
IP-degree	IEC 60529	IP 40									
Insertion and withdrawal forces	IEC 60512-13-2	25 N 90.oz	30 N 110.oz	35 N 125.oz	50 N 180.oz	55 N 200.oz	60 N 220.oz	60 N 220.oz	50 N 180.oz		
Mechanical operation	IEC 60512-9-1	Silver ≥ 500 mating cycles Gold ≥ 1000 mating cycles									
Materials											
Housing material		die cast, nickel plated									
Dielectric material		thermoplastic									
Contact plating		silver plated / gold plated ³⁾									
Further Characteristics											
Termination technique		solder, crimp									
Wire gauge		solder: ≤ 0,5 mm ² / 20 AWG crimp: 2 - 6 pol (excluding 5S): 0,09 - 1,00 mm ² / 28 - 18 AWG crimp: 5S, 7, 7S and 8-pol.: 0,09 - 0,75 mm ² / 28 - 20 AWG								solder: ≤ 0,25 mm ² / 24 AWG crimp: 0,09-0,25 mm ² / 28 - 24 AWG	
Flammability		UL 94 V0									
Locking system		bayonet									

Caution: Do not connect or disconnect under load. Metal housing parts shall be securely incorporated to protected ground.

¹⁾ Edition 2000-05

²⁾ under operating conditions >10⁸ Ω

³⁾ Remark for gold plated contacts: In order to avoid brittle inter-metallic connections, gold-plated terminals have to be tin-plated in the solder area.

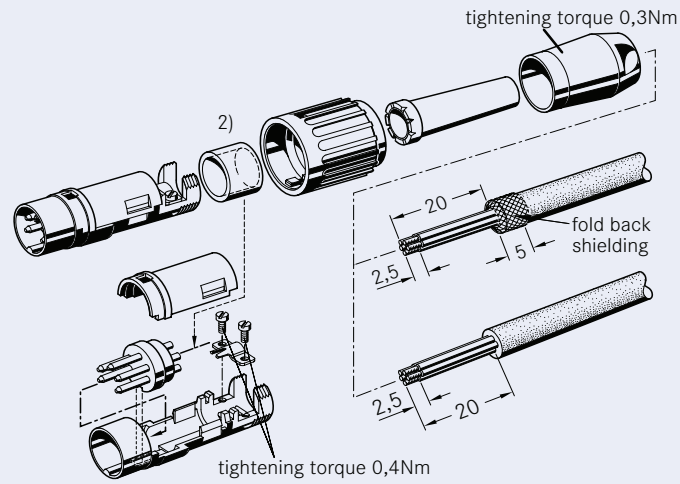
IEC 60 664 ≙ DIN VDE 0110; IEC 60 512-x ≙ DIN EN 60 512-x; IEC 60 130-9 ≙ DIN EN 60 130-9; IEC 61076-2-106 ≙ DIN EN 61076-2-106

C 091 B Male cable connector | bayonet locking inside (mateable with locking outside)

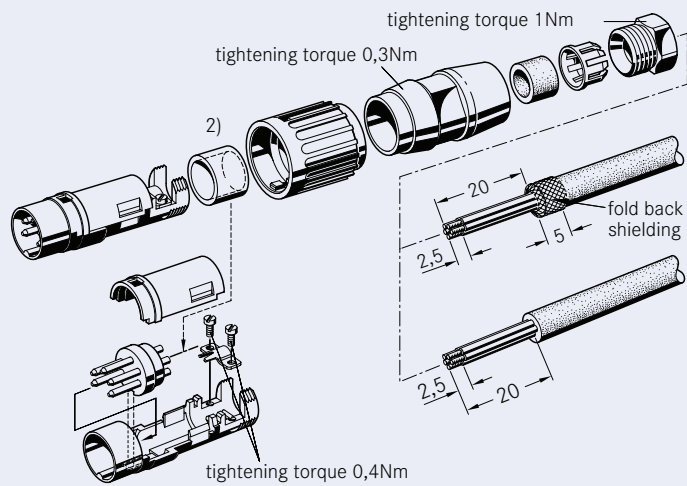
No. of cont.	Part Number solder termination		Part Number crimp termination	Drawing	Figure		
	silver plating	gold plating ¹⁾					
Locking inside straight (Please order crimp contacts separately, see page 56)							
3	T 3274 501	T 3274 518 ³⁾	T 3274 551	<p>for cable diameter 4-6mm</p>			
4	T 3324 501	T 3324 518	T 3324 551				
5	T 3374 501	T 3374 518 ³⁾	T 3374 551				
5S ²⁾	T 3394 501	T 3394 518	T 3394 551				
6	T 3424 501	T 3424 518	T 3424 551				
7	T 3434 501	T 3434 518 ³⁾	T 3434 551				
7 ²⁾	T 3444 501	T 3444 518 ³⁾	T 3444 551 ³⁾				
8	T 3524 501	T 3524 518 ³⁾	T 3524 551				
12	T 3624 501	T 3624 518 ³⁾					
14	T 3644 501 ³⁾	T 3644 518 ³⁾					
3	T 3274 502	T 3274 528 ³⁾	T 3274 552 ³⁾			<p>for cable diameter 6-8mm</p>	
4	T 3324 502	T 3324 528 ³⁾	T 3324 552				
5	T 3374 502	T 3374 528 ³⁾	T 3374 552 ³⁾				
5S ²⁾	T 3394 502	T 3394 528 ³⁾	T 3394 552 ³⁾				
6	T 3424 502	T 3424 528 ³⁾	T 3424 552				
7	T 3434 502	T 3434 528 ³⁾	T 3434 552 ³⁾				
7 ²⁾	T 3444 502 ³⁾	T 3444 528 ³⁾	T 3444 552 ³⁾				
8	T 3524 502	T 3524 528	T 3524 552 ³⁾				
12	T 3624 502	T 3624 528 ³⁾					
14	T 3644 502	T 3644 528 ³⁾					
3	T 3274 504 ³⁾	T 3274 548 ³⁾	T 3274 554 ³⁾	<p>for cable diameter 4-6mm</p>			
4	T 3324 504 ³⁾	T 3324 548	T 3324 554 ³⁾				
5	T 3374 504 ³⁾	T 3374 548 ³⁾	T 3374 554 ³⁾				
5S ²⁾	T 3394 504 ³⁾	T 3394 548 ³⁾	T 3394 554 ³⁾				
6	T 3424 504 ³⁾	T 3424 548	T 3424 554 ³⁾				
7	T 3434 504 ³⁾	T 3434 548 ³⁾	T 3434 554 ³⁾				
7 ²⁾	T 3444 504 ³⁾	T 3444 548 ³⁾	T 3444 554 ³⁾				
8	T 3524 504 ³⁾	T 3524 548	T 3524 554 ³⁾				
12	T 3624 504 ³⁾	T 3624 548 ³⁾					
14	T 3644 504 ³⁾	T 3644 548 ³⁾					
Locking inside straight full plastic (Please order crimp contacts separately, see page 56)							
3	T 3274 991		T 3274 951			<p>for cable diameter 4-6mm</p>	
4	T 3324 991		T 3324 951				
5	T 3374 991		T 3374 951				
5S ²⁾	T 3394 991 ³⁾	T 3394 998 ³⁾					
6	T 3424 991	T 3424 998	T 3424 951				
7	T 3434 991		T 3434 951				
7 ²⁾			T 3444 951				
8			T 3524 951				
12							
14							
Locking inside right-angled (Please order crimp contacts separately, see page 56)							
3	T 3274 005	T 3274 058 ³⁾	T 3274 055 ³⁾	<p>for cable diameter 4-6mm</p>			
4	T 3324 005	T 3324 058 ³⁾	T 3324 055 ³⁾				
5	T 3374 005	T 3374 058	T 3374 055				
5S ²⁾	T 3394 005	T 3394 058 ³⁾	T 3394 055 ³⁾				
6	T 3424 005	T 3424 058 ³⁾	T 3424 055				
7	T 3434 005	T 3434 058 ³⁾	T 3434 055 ³⁾				
7 ²⁾	T 3444 005 ³⁾	T 3444 058 ³⁾	T 3444 055 ³⁾				
8	T 3534 005	T 3524 058 ³⁾	T 3524 055				
12	T 3624 005	T 3624 058 ³⁾					
14	T 3644 005 ³⁾	T 3644 058 ³⁾					

C 091 B Male cable connector | bayonet locking inside (mateable with locking outside)

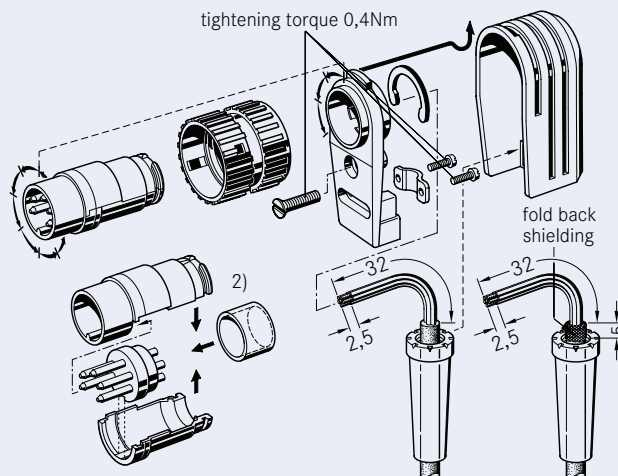
Assembly instruction¹⁾, cable diameter 4-6mm



Assembly instruction¹⁾, cable diameter 4-6mm or 6-8mm



Assembly instruction¹⁾, right-angled, can be keyed to 8 angle positions

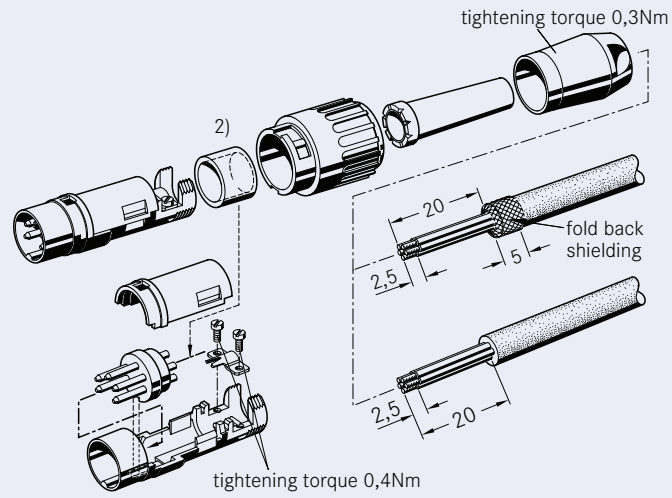


C 091 B Male cable connector | bayonet locking outside (mateable with locking inside)

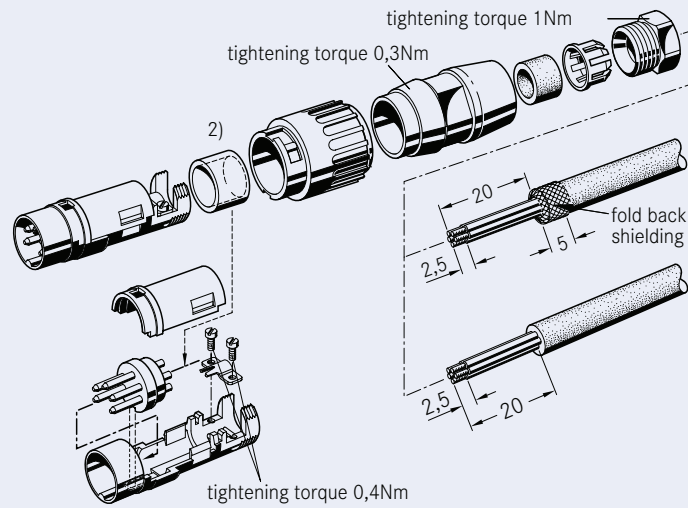
No. of cont.	Part Number solder termination		Part Number crimp termination	Drawing	Figure
	silver plating	gold plating ¹⁾			
Locking outside straight (Please order crimp contacts separately, see page 56)					
3	T 3279 501	T 3279 518 ³⁾	T 3279 551 ³⁾	<p>for cable diameter 4-6mm</p>	
4	T 3329 501	T 3329 518 ³⁾	T 3329 551		
5	T 3379 501	T 3379 518 ³⁾	T 3379 551		
5S ²⁾	T 3399 501 ³⁾	T 3399 518 ³⁾	T 3399 551 ³⁾		
6	T 3429 501	T 3429 518 ³⁾	T 3429 551		
7	T 3439 501	T 3439 518 ³⁾	T 3439 551		
7 ²⁾	T 3449 501 ³⁾	T 3449 518 ³⁾	T 3449 551 ³⁾		
8	T 3529 501 ³⁾	T 3529 518 ³⁾	T 3529 551 ³⁾		
12	T 3629 501 ³⁾	T 3629 518 ³⁾			
14	T 3649 501	T 3649 518 ³⁾			
3	T 3279 502	T 3279 528 ³⁾	T 3279 552 ³⁾	<p>for cable diameter 6-8mm</p>	
4	T 3329 502	T 3329 528 ³⁾	T 3329 552 ³⁾		
5	T 3379 502	T 3379 528 ³⁾	T 3379 552 ³⁾		
5S ²⁾	T 3399 502 ³⁾	T 3399 528 ³⁾	T 3399 552 ³⁾		
6	T 3429 502 ³⁾	T 3429 528 ³⁾	T 3429 552 ³⁾		
7	T 3439 502 ³⁾	T 3439 528 ³⁾	T 3439 552 ³⁾		
7 ²⁾	T 3449 502 ³⁾	T 3449 528 ³⁾	T 3449 552 ³⁾		
8	T 3529 502 ³⁾	T 3529 528 ³⁾	T 3529 552 ³⁾		
12	T 3629 502 ³⁾	T 3629 528 ³⁾			
14	T 3649 502	T 3649 528 ³⁾			
3	T 3279 504 ³⁾	T 3279 548 ³⁾	T 3279 554 ³⁾	<p>for cable diameter 4-6mm</p>	
4	T 3329 504 ³⁾	T 3329 548 ³⁾	T 3329 554 ³⁾		
5	T 3379 504 ³⁾	T 3379 548 ³⁾	T 3379 554 ³⁾		
5S ²⁾	T 3399 504 ³⁾	T 3399 548 ³⁾	T 3399 554 ³⁾		
6	T 3429 504 ³⁾	T 3429 548 ³⁾	T 3429 554 ³⁾		
7	T 3439 504 ³⁾	T 3439 548 ³⁾	T 3439 554 ³⁾		
7 ²⁾	T 3449 504 ³⁾	T 3449 548 ³⁾	T 3449 554 ³⁾		
8	T 3529 504 ³⁾	T 3529 548 ³⁾	T 3529 554 ³⁾		
12	T 3629 504 ³⁾	T 3629 548 ³⁾			
14	T 3649 504 ³⁾	T 3649 548 ³⁾			

C 091 B Male cable connector | bayonet locking outside (mateable with locking inside)

Assembly instruction¹⁾, cable diameter 4-6mm



Assembly instruction¹⁾, cable diameter 4-6mm or 6-8mm

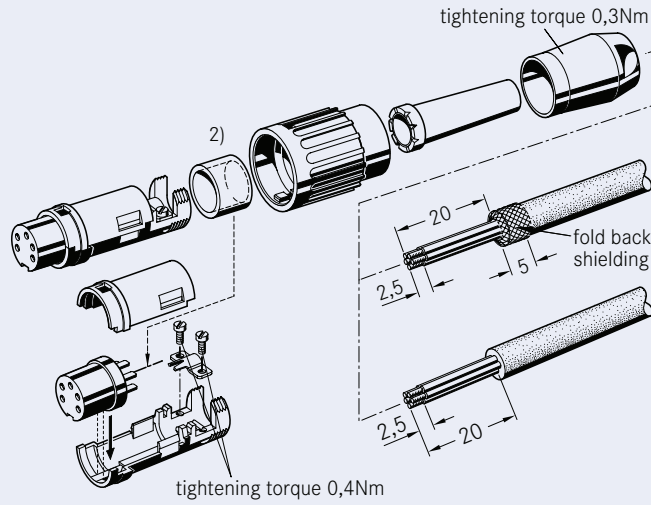


C 091 B Female cable connector | bayonet locking inside (mateable with locking outside)

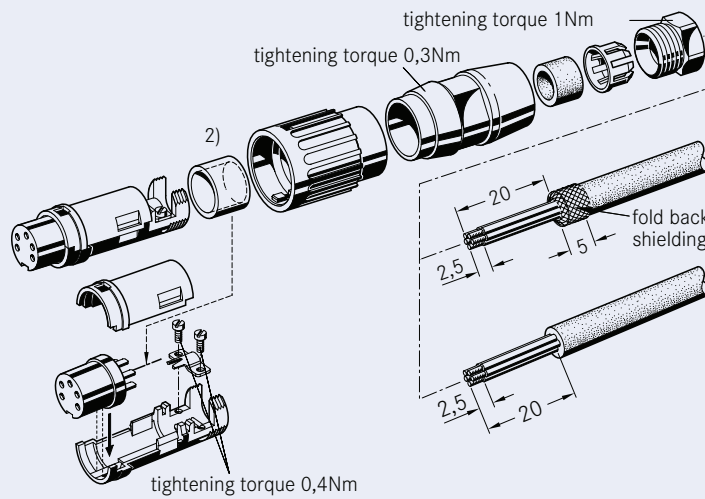
No. of cont.	Part Number solder termination		Part Number crimp termination	Drawing	Figure
	silver plating	gold plating ¹⁾			
Locking inside straight (Please order crimp contacts separately, see page 56)					
3	T 3275 501	T 3275 518 ³⁾	T 3275 551	<p>for cable diameter 4-6mm</p>	
4	T 3325 501	T 3325 518	T 3325 551		
5	T 3375 501	T 3375 518 ³⁾	T 3375 551		
5S ²⁾	T 3395 501 ³⁾	T 3395 518 ³⁾	T 3395 551 ³⁾		
6	T 3425 501	T 3425 518	T 3425 551		
7	T 3435 501	T 3435 518 ³⁾	T 3435 551 ³⁾		
7 ²⁾	T 3445 501 ³⁾	T 3445 518 ³⁾	T 3445 551 ³⁾		
8	T 3525 501 ³⁾	T 3525 518 ³⁾	T 3525 551 ³⁾		
12	T 3625 501 ³⁾	T 3625 518 ³⁾			
14	T 3645 501 ³⁾	T 3645 518 ³⁾			
3	T 3275 502 ³⁾	T 3275 528 ³⁾	T 3275 552 ³⁾	<p>for cable diameter 6-8mm</p>	
4	T 3325 502 ³⁾	T 3325 528 ³⁾	T 3325 552 ³⁾		
5	T 3375 502 ³⁾	T 3375 528 ³⁾	T 3375 552 ³⁾		
5S ²⁾	T 3395 502 ³⁾	T 3395 528 ³⁾	T 3395 552 ³⁾		
6	T 3425 502	T 3425 528 ³⁾	T 3425 552 ³⁾		
7	T 3435 502 ³⁾	T 3435 528 ³⁾	T 3435 552 ³⁾		
7 ²⁾	T 3445 502 ³⁾	T 3445 528 ³⁾	T 3445 552 ³⁾		
8	T 3525 502 ³⁾	T 3525 528 ³⁾	T 3525 552 ³⁾		
12	T 3625 502 ³⁾	T 3625 528 ³⁾			
14	T 3645 502	T 3645 528 ³⁾			
3	T 3275 504 ³⁾	T 3275 548 ³⁾	T 3275 554 ³⁾	<p>for cable diameter 4-6mm</p>	
4	T 3325 504 ³⁾	T 3325 548 ³⁾	T 3325 554 ³⁾		
5	T 3375 504 ³⁾	T 3375 548 ³⁾	T 3375 554 ³⁾		
5S ²⁾	T 3395 504 ³⁾	T 3395 548 ³⁾	T 3395 554 ³⁾		
6	T 3425 504 ³⁾	T 3425 548 ³⁾	T 3425 554 ³⁾		
7	T 3435 504 ³⁾	T 3435 548 ³⁾	T 3435 554 ³⁾		
7 ²⁾	T 3445 504 ³⁾	T 3445 548 ³⁾	T 3445 554 ³⁾		
8	T 3525 504 ³⁾	T 3525 548 ³⁾	T 3525 554 ³⁾		
12	T 3625 504 ³⁾	T 3625 548 ³⁾			
14	T 3645 504 ³⁾	T 3645 548 ³⁾			
Locking inside straight full plastic (Please order crimp contacts separately, see page 56)					
3	T 3275 991 ³⁾		T 3275 951 ³⁾	<p>for cable diameter 4-6mm</p>	
4	T 3325 991		T 3325 951 ³⁾		
5	T 3375 991		T 3375 951 ³⁾		
5S ²⁾	T 3425 991		T 3425 951 ³⁾		
6	T 3435 991		T 3435 951 ³⁾		
7					
7 ²⁾					
8					
12					
14					
Locking inside right-angled (Please order crimp contacts separately, see page 56)					
3	T 3275 005 ³⁾	T 3275 058 ³⁾	T 3275 055 ³⁾	<p>for cable diameter 4-6mm</p>	
4	T 3325 005 ³⁾	T 3325 058 ³⁾	T 3325 055 ³⁾		
5	T 3375 005	T 3375 058 ³⁾	T 3375 055 ³⁾		
5S ²⁾	T 3395 005 ³⁾	T 3395 058 ³⁾	T 3395 055 ³⁾		
6	T 3425 005 ³⁾	T 3425 058 ³⁾	T 3425 055 ³⁾		
7	T 3435 005	T 3435 058 ³⁾	T 3435 055 ³⁾		
7 ²⁾	T 3445 005 ³⁾	T 3445 058 ³⁾	T 3445 055 ³⁾		
8		T 3525 058 ³⁾	T 3525 055 ³⁾		
12	T 3625 005 ³⁾	T 3625 058 ³⁾			
14	T 3645 005 ³⁾	T 3645 058 ³⁾			

C 091 B Female cable connector | bayonet locking inside (mateable with locking outside)

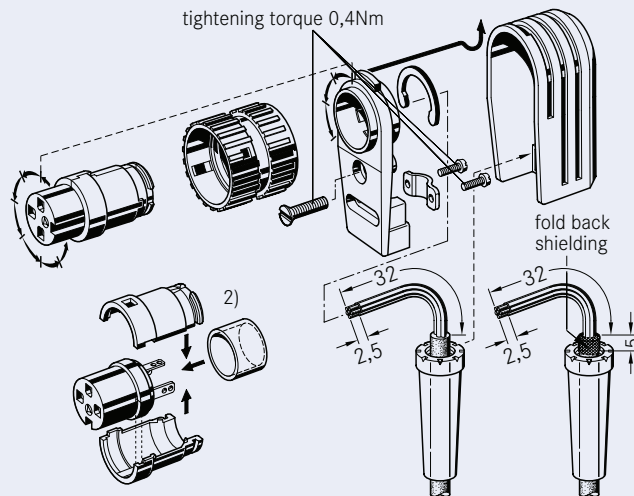
Assembly instruction¹⁾, cable diameter 4-6mm



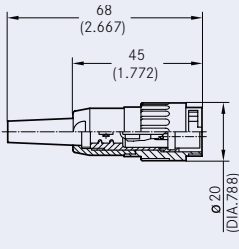

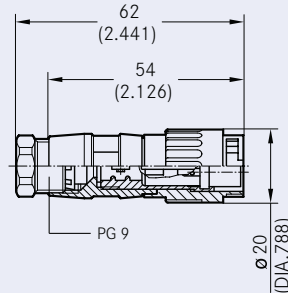

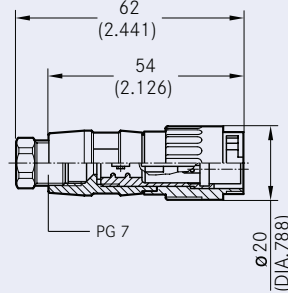

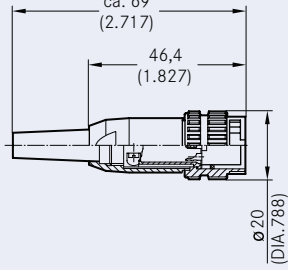

Assembly instruction¹⁾, cable diameter 4-6mm or 6-8mm



Assembly instruction¹⁾, right-angled, can be keyed to 8 angle positions

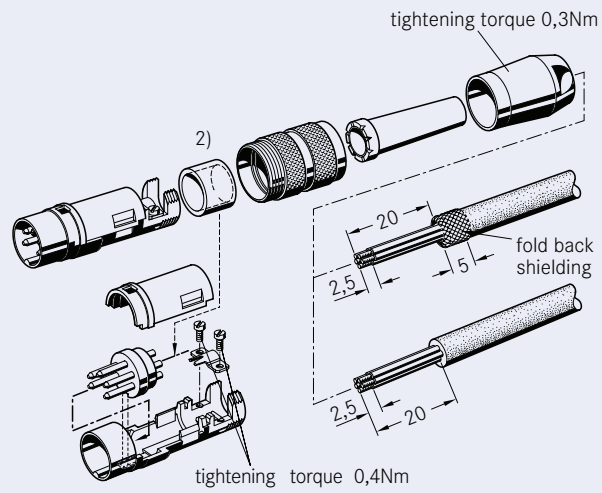


C 091 B Female cable connector | bayonet locking outside (mateable with locking inside)

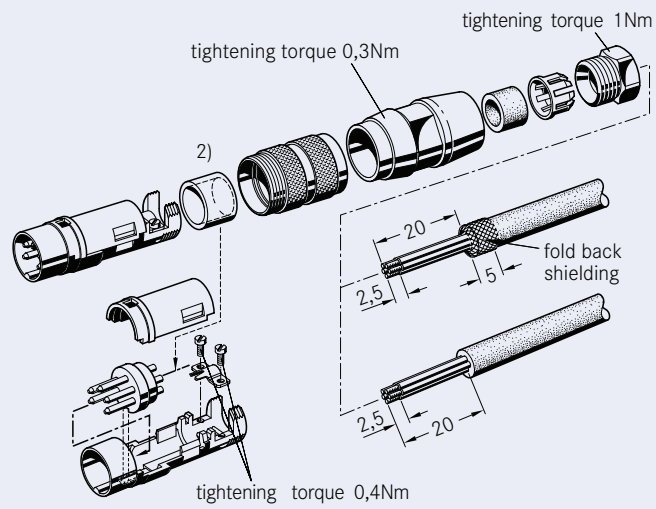
No. of cont.	Part Number solder termination		Part Number crimp termination	Drawing	Figure		
	silver plating	gold plating ¹⁾					
Locking outside straight (Please order crimp contacts separately, see page 56)							
3	T 3278 501	T 3278 518	T 3278 551 ³⁾	 <p>for cable diameter 4-6mm</p>			
4	T 3328 501	T 3328 518 ³⁾	T 3328 551 ³⁾				
5	T 3378 501	T 3378 518 ³⁾	T 3378 551				
5S ²⁾	T 3398 501	T 3398 518	T 3398 551 ³⁾				
6	T 3428 501	T 3428 518	T 3428 551				
7	T 3438 501	T 3438 518 ³⁾	T 3438 551				
7 ²⁾	T 3448 501 ³⁾	T 3448 518 ³⁾	T 3448 551 ³⁾				
8	T 3528 501	T 3528 518 ³⁾	T 3528 551				
12	T 3628 501 ³⁾	T 3628 518 ³⁾					
14	T 3648 501 ³⁾	T 3648 518 ³⁾					
3	T 3278 502	T 3278 528 ³⁾	T 3278 552 ³⁾			 <p>for cable diameter 6-8mm</p>	
4	T 3328 502	T 3328 528 ³⁾	T 3328 552				
5	T 3378 502 ³⁾	T 3378 528 ³⁾	T 3378 552 ³⁾				
5S ²⁾	T 3398 502 ³⁾	T 3398 528 ³⁾	T 3398 552 ³⁾				
6	T 3428 502 ³⁾	T 3428 528 ³⁾	T 3428 552 ³⁾				
7	T 3438 502 ³⁾	T 3438 528 ³⁾	T 3438 552 ³⁾				
7 ²⁾	T 3448 502 ³⁾	T 3448 528 ³⁾	T 3448 552 ³⁾				
8	T 3528 502	T 3528 528 ³⁾	T 3528 552 ³⁾				
12	T 3628 502 ³⁾	T 3628 528 ³⁾					
14	T 3648 502 ³⁾	T 3648 528 ³⁾					
3	T 3278 504 ³⁾	T 3278 548 ³⁾	T 3278 554 ³⁾	 <p>for cable diameter 4-6mm</p>			
4	T 3328 504 ³⁾	T 3328 548 ³⁾	T 3328 554 ³⁾				
5	T 3378 504 ³⁾	T 3378 548 ³⁾	T 3378 554 ³⁾				
5S ²⁾	T 3398 504 ³⁾	T 3398 548 ³⁾	T 3398 554 ³⁾				
6	T 3428 504 ³⁾	T 3428 548 ³⁾	T 3428 554 ³⁾				
7	T 3438 504 ³⁾	T 3438 548 ³⁾	T 3438 554 ³⁾				
7 ²⁾	T 3448 504 ³⁾	T 3448 548 ³⁾	T 3448 554 ³⁾				
8	T 3528 504 ³⁾	T 3528 548 ³⁾	T 3528 554 ³⁾				
12	T 3628 504 ³⁾	T 3628 548 ³⁾					
14	T 3648 504 ³⁾	T 3648 548 ³⁾					
Locking outside straight full plastic (Please order crimp contacts separately, see page 56)							
3	T 3278 991 ³⁾		T 3278 951 ³⁾			 <p>for cable diameter 4-6mm</p>	
4	T 3328 991 ³⁾		T 3328 951				
5	T 3378 991		T 3378 951				
5S ²⁾	T 3428 991 ³⁾		T 3428 951				
6	T 3438 991 ³⁾		T 3438 951 ³⁾				
7							
7 ²⁾							
8							
12							
14							

C 091 B Female cable connector | bayonet locking outside (mateable with locking inside)

Assembly instruction¹⁾, cable diameter 4-6mm



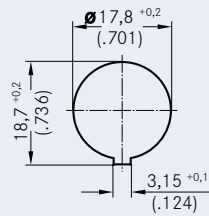
Assembly instruction¹⁾, cable diameter 4-6mm or 6-8mm



C 091 B Male receptacle | bayonet locking outside (mateable with locking inside) | front mounting | full plastic

No. of cont.	Part Number solder termination		Part Number crimp termination	Drawing	Figure
	silver plating	gold plating ¹⁾			
Locking outside Snap in			(Please order crimp contacts separately, see page 56)		
3	T 3276 500	T 3276 518 ³⁾	T 3276 550		
4	T 3326 500	T 3326 518 ³⁾	T 3326 550		
5	T 3376 500	T 3376 518 ³⁾	T 3376 550		
5S ²⁾	T 3396 500 ³⁾	T 3396 518 ³⁾	T 3396 550 ³⁾		
6	T 3426 500	T 3426 518 ³⁾	T 3426 550		
7	T 3436 500	T 3436 518	T 3436 550		
7 ²⁾	T 3446 500 ³⁾	T 3446 518 ³⁾	T 3446 550 ³⁾		
8	T 3526 500 ³⁾	T 3526 518 ³⁾	T 3526 550		
12	T 3626 500 ³⁾	T 3626 518 ³⁾			
14	T 3646 500 ³⁾	T 3646 518 ³⁾			

Panel cutout



C 091 B Female receptacle | bayonet locking outside (mateable with locking inside) | front mounting | full plastic

No. of cont.	Part Number solder termination		Part Number crimp termination	Drawing	Figure
	silver plating	gold plating ¹⁾			

Locking outside | Ring Nut (Hex nut on request) (Please order crimp contacts separately, see page 56)

3	T 3277 000	T 3277 018 ³⁾	T 3277 050		
4	T 3327 000	T 3327 018 ³⁾	T 3327 050		
5	T 3377 000	T 3377 018 ³⁾	T 3377 050 ³⁾		
5S ²⁾					
6	T 3427 000	T 3427 018 ³⁾	T 3427 050		
7	T 3437 000	T 3437 018 ³⁾	T 3437 050		
7 ²⁾					
8					
12					
14					

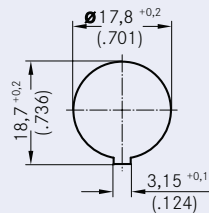
Locking outside | Snap in (Please order crimp contacts separately, see page 56)

3	T 3277 500	T 3277 518 ³⁾	T 3277 550		
4	T 3327 500	T 3327 518 ³⁾	T 3327 550		
5	T 3377 500	T 3377 518 ³⁾	T 3377 550		
5S ²⁾	T 3397 500	T 3397 518 ³⁾	T 3397 550 ³⁾		
6	T 3427 500	T 3427 518 ³⁾	T 3427 550		
7	T 3437 500	T 3437 518 ³⁾	T 3437 550		
7 ²⁾	T 3447 500	T 3447 518 ³⁾	T 3447 550 ³⁾		
8	T 3527 500	T 3527 518 ³⁾			
12	T 3627 500	T 3627 518 ³⁾			
14	T 3647 500	T 3647 518 ³⁾			

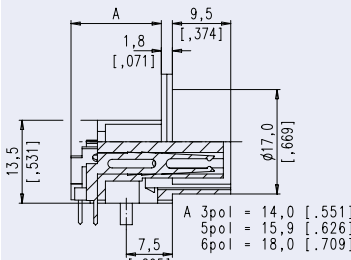

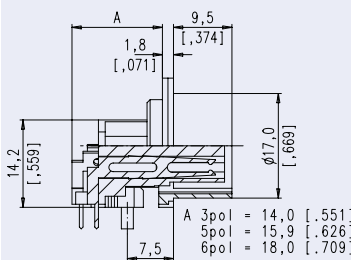

Locking inside | Snap in (Please order crimp contacts separately, see page 56)

3	T 3271 500 ³⁾	T 3271 518 ³⁾	T 3271 550 ³⁾		
4	T 3321 500 ³⁾	T 3321 518 ³⁾	T 3321 550 ³⁾		
5	T 3371 500	T 3371 518 ³⁾	T 3371 550 ³⁾		
5S ²⁾	T 3391 500 ³⁾	T 3391 518 ³⁾	T 3391 550 ³⁾		
6	T 3421 500	T 3421 518 ³⁾	T 3421 550 ³⁾		
7	T 3431 500	T 3431 518 ³⁾	T 3431 550 ³⁾		
7 ²⁾	T 3441 500 ³⁾	T 3441 518 ³⁾	T 3441 550 ³⁾		
8	T 3521 500 ³⁾	T 3521 518 ³⁾	T 3521 550 ³⁾		
12	T 3621 500 ³⁾	T 3621 518 ³⁾			
14	T 3641 500 ³⁾	T 3641 518 ³⁾			

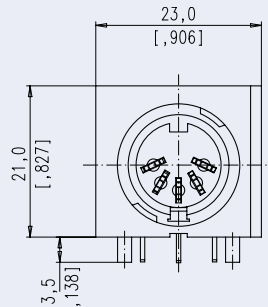
Panel cutout



C 091 B Female receptacle | bayonet locking outside (mateable with locking inside) | 90° | PCB mounting

No. of cont.	Part Number		Part Number crimp termination	Drawing	Figure
	solder termination silver plating	gold plating ¹⁾			
Locking outside (Please order crimp contacts separately, see page 56)					
3 4 5 5S ²⁾ 6 7 7 ²⁾ 8 12 14	T 3277 600				
3 4 5 5S ²⁾ 6 7 7 ²⁾ 8 12 14	T 3277 900 ³⁾				

Position when mounted directly next to another

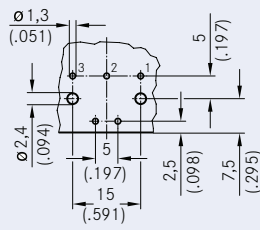


C 091 B Female receptacle | PCB-Layout

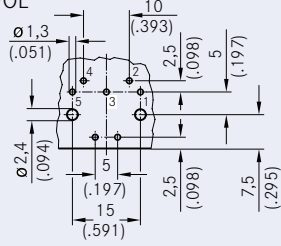
PCB-Layout (components side of circuit board)

Female receptacle | bayonet locking outside (mateable with locking inside) | 90° | PCB mounting

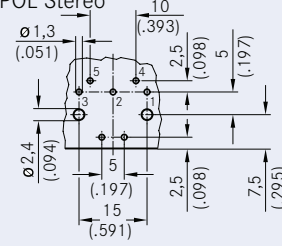
3 POL



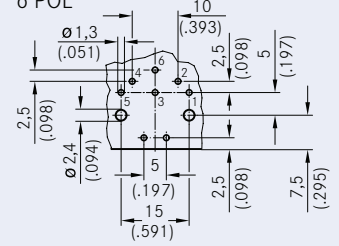
5 POL



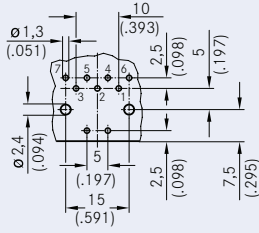
5 POL Stereo



6 POL



7 POL



8 POL

