

TA7359P TA7727P

T-74-05-01

AUDIO DUAL PREAMPLIFIER.

The TA7359P and TA7727P are dual low noise pre amplifier improved on operational amplifier (4558 type) for consumer applications.

- . Wide Operating Supply Voltage Range
: $V_{CC}, V_{EE} = \pm 1.5V \sim \pm 18.0V$
- . Low Noise, Low Distortion
: $V_{NI} = 1\mu V_{rms}$ (Typ.)
($R_g = 2.2k\Omega$, NAB, $f = 1kHz$, $G_V = 40dB$)
THD = 0.005%, ($V_{OUT} = 2.0V_{rms}$)
- . The Recommended Closed Loop Voltage Gain in More Than 20dB.

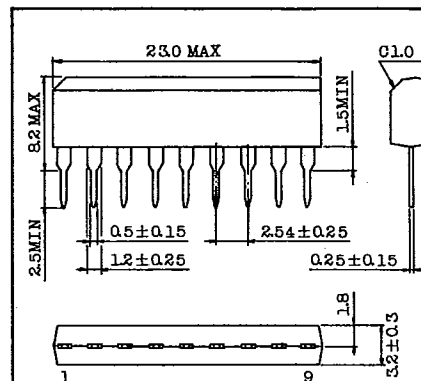
MAXIMUM RATINGS ($T_a = 25^\circ C$)

CHARACTERISTIC	SYMBOL	RATING	UNIT
Supply Voltage	V_{CC}	± 22	V
Power Dissipation	Note 1 $P_D 1$	750	mW
	Note 2 $P_D 2$	500	mW
Operating Temperature	T_{opr}	$-25 \sim 75$	$^\circ C$
Storage Temperature	T_{stg}	$-55 \sim 150$	$^\circ C$

Note 1 TA7359P : Derated above $T_a = 25^\circ C$ in the proportion of $6mW/^\circ C$.

Note 2 TA7727P : Derated above $T_a = 25^\circ C$ in the proportion of $4mW/^\circ C$.

Unit in mm



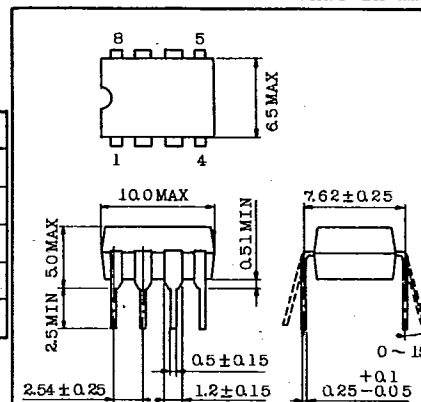
Lead pitch is 254 and tolerance is ± 0.25 against theoretical center of each lead that is obtained on the basis of No.1 lead.

JEDEC

TOSHIBA

S9A-P

Unit in mm



Lead pitch is 2.54 and tolerance is ± 0.25 against theoretical center of each lead that is obtained on the basis of No.1 and No.8 leads.

JEDEC

TOSHIBA

3D8A-P

TOSHIBA

9097247 TOSHIBA. ELECTRONIC

02E 17206 D

TA7359P**TA7727P**

T-74-05-01

ELECTRICAL CHARACTERISTICS

(Unless otherwise specified, $V_{CC}=4.5V$, $V_{EE}=-4.5V$, $f=1kHz$, $T_a=25^\circ C$)

CHARACTERISTIC	SYMBOL	TEST CIRCUIT	TEST CONDITION	MIN.	TYP.	MAX.	UNIT
Quiescent Current	I_{CCQ}	1	$V_{IN}=0V$	-	2.7	4.0	mA
Equivalent Input Noise Voltage	V_{NI}	1	$R_g=2.2k\Omega$, NAB, $G_v=40dB$, $BW=20Hz\sim 30kHz$	-	1.0	1.3	μV_{rms}
Open Loop Voltage Gain	G_{VO}	1	$V_{OUT}=2.0V_{rms}$	75	85	-	dB
Total Harmonic Distortion	THD	1	$V_{OUT}=2.0V_{rms}$	-	0.005	0.01	%
Maximum Output Voltage	V_{OM}	1	THD=0.5%	2.0	2.7	-	V_{rms}
Channel Cross Talk	C.T.	1	$R_g=2.2k\Omega$ $V_{OUT}=2.0V_{rms}$	65	76	-	dB
Input Bias Current	I_{IB}	-	-	-	0.65	-	μA

DC CHARACTERISTICS

(V_{CC}=4.5V, V_{EE}=-4.5V, R_g=2.2k Ω , Terminal Voltage at No Signal)

(Unit in mV)

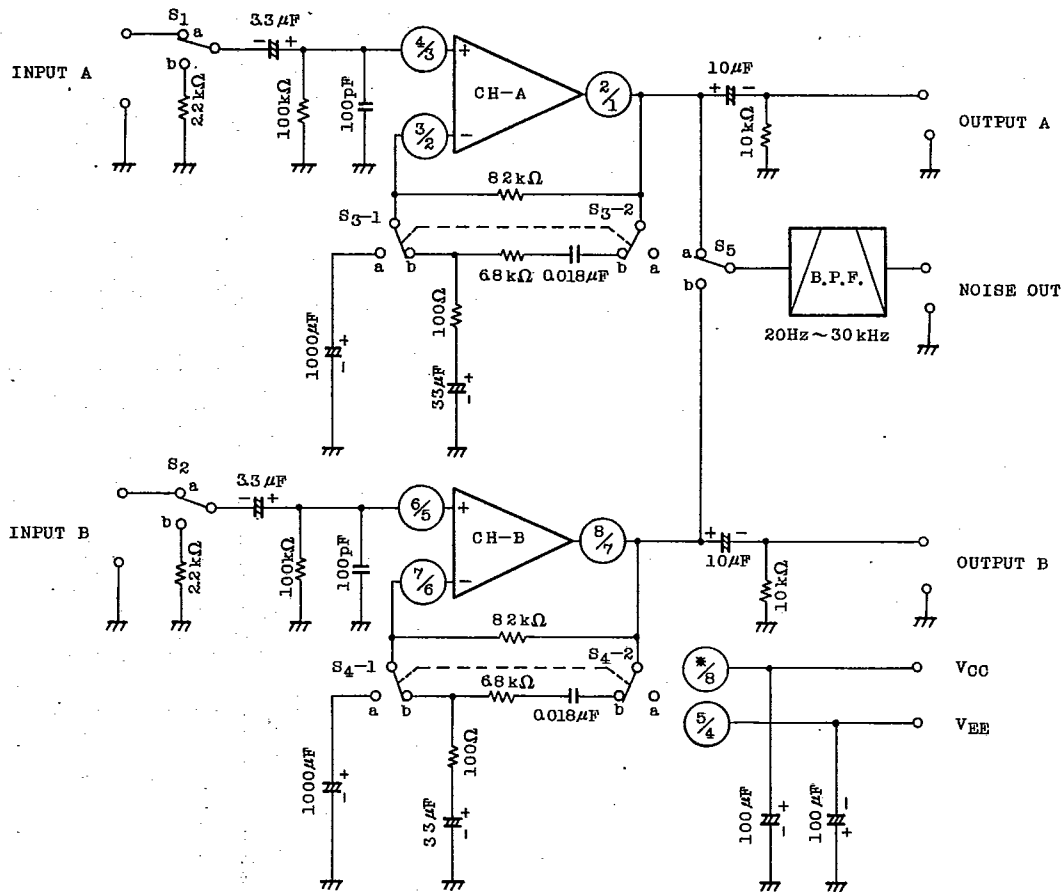
TERMINAL No. TYPE	1	2	3	4	5	6	7	8	9
TA7359P	V _{CC}	15	75	75	V _{EE}	75	75	15	V _{CC}
TA7727P	15	75	75	V _{EE}	75	75	15	V _{CC}	

AUDIO LINEAR IC

TA7359P
TA7727P

T-74-05-01

TEST CIRCUIT 1

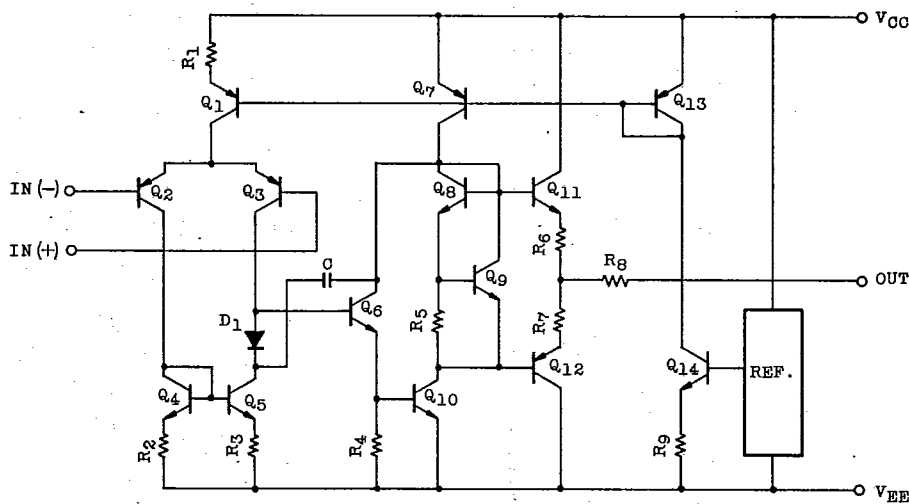


* 1 PIN, 9 PIN
○ TA7359P/TA7727P

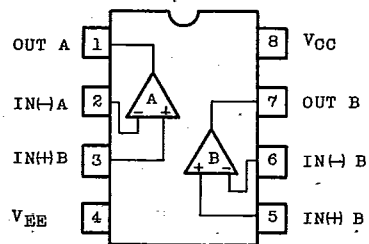
TA7359P
TA7727P

T-74-05-01

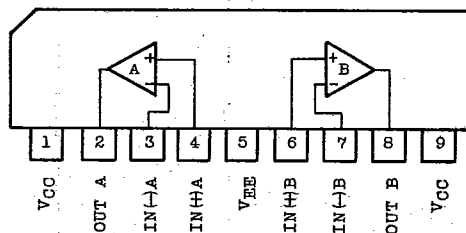
EQUIVALENT CIRCUIT



TA7727P



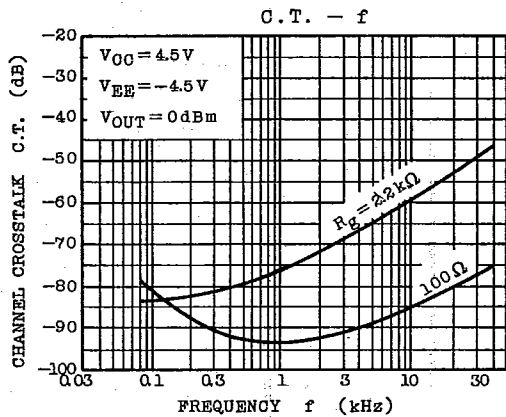
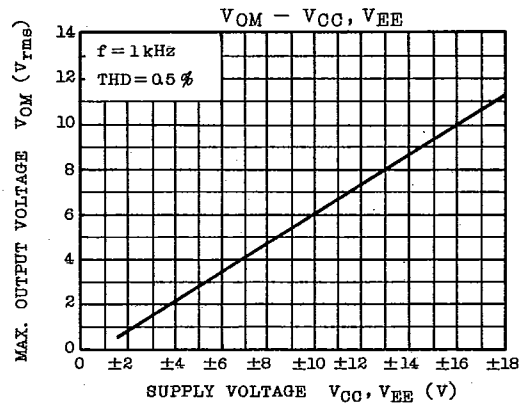
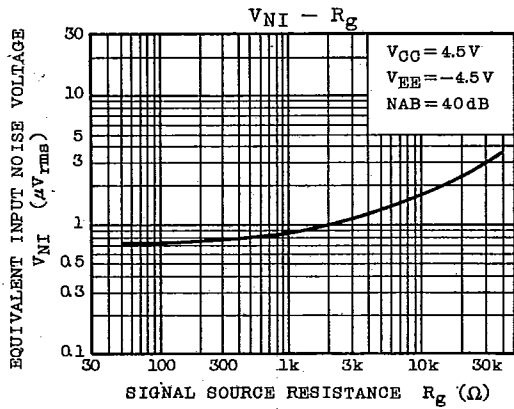
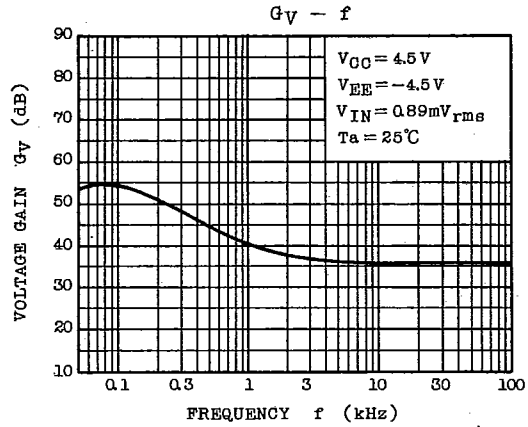
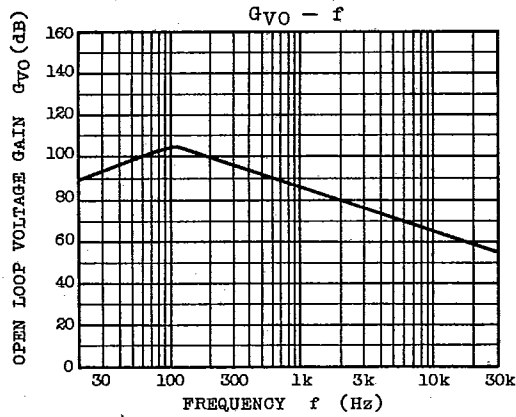
TA7359P



AUDIO LINEAR IC

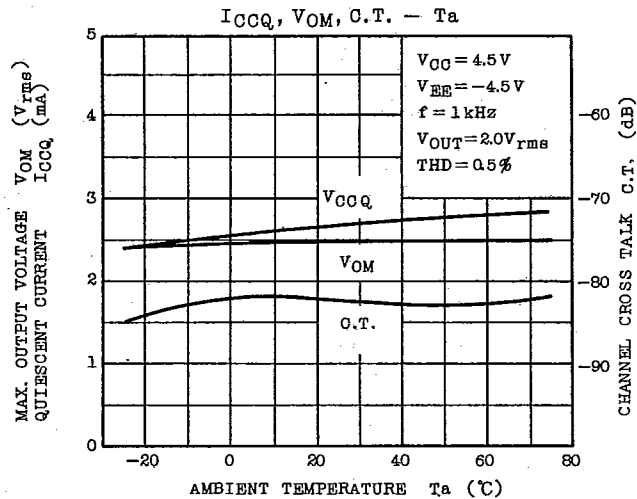
TA7359P
TA7727P

T-74-05-01

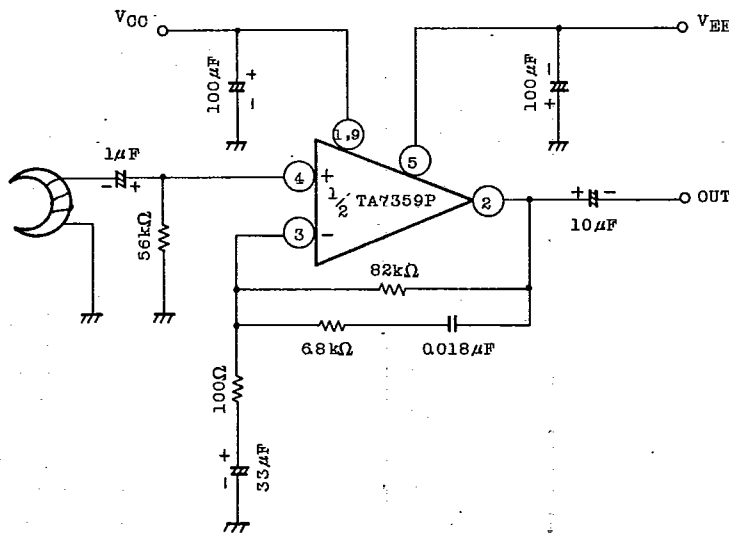


TA7359P
TA7727P

T-74-05-01



APPLICATION



AUDIO LINEAR IC