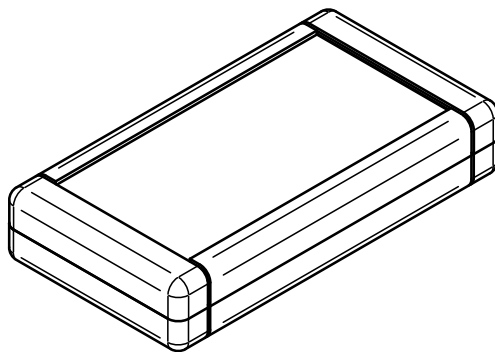
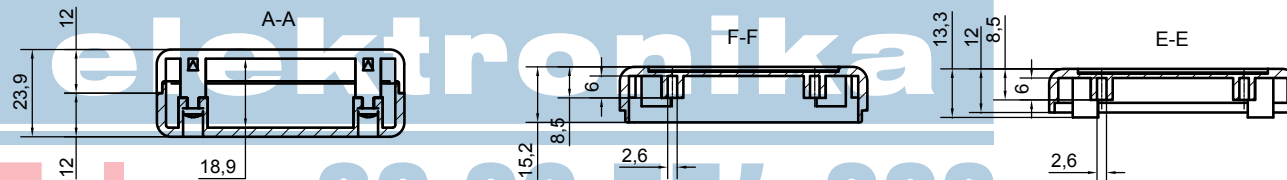
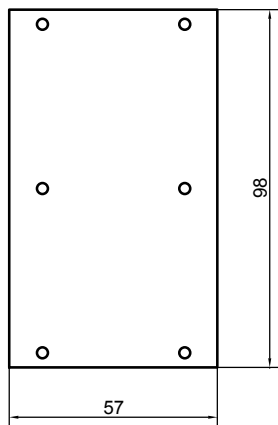


MAXIMUM PCB SIZE



www.reth.hu
 elektro
 nika
 Tel.: +36 62 554-600

	Denomination Assembly TB	Part Number TB
	Subject to technical modification without prior notice. Tipographical and other errors do not justify any claim for damages. All dimensions should be verified using an actual moulded part.	
	Rev. Index 17/05/2005	Scale 1:1
	This document contains proprietary information TEKO S.p.a. and is rendered subject to the conditions that the information be retained in confidence not be reproduced or copied and not be used or incorporated in any product.	