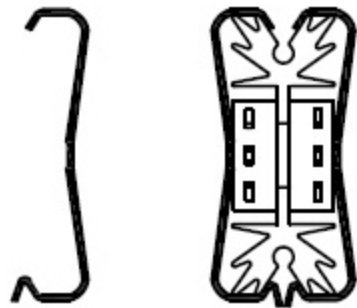
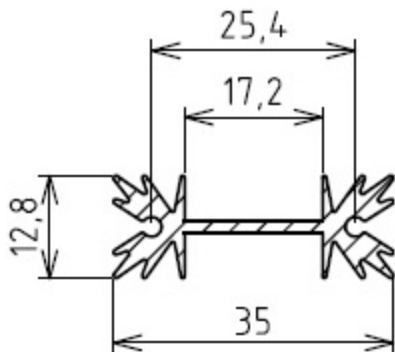


TEA 35

weight: 0,40 kg/m Rth (50mm): 8,5 °C/W



CLIP TEA 35