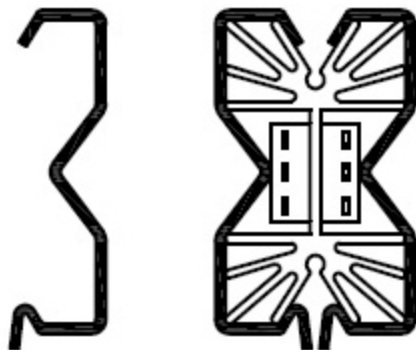
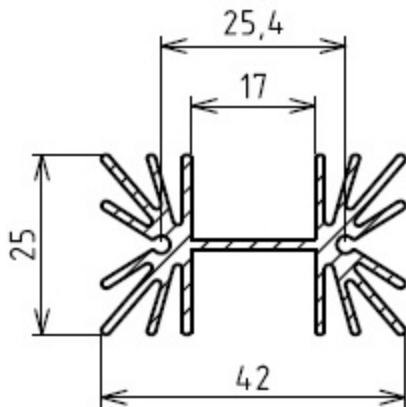


# TEA 40

weight: 0,74 kg/m  $R_{th}$  (50mm): 6,0 °C/W



**CLIP TEA40**