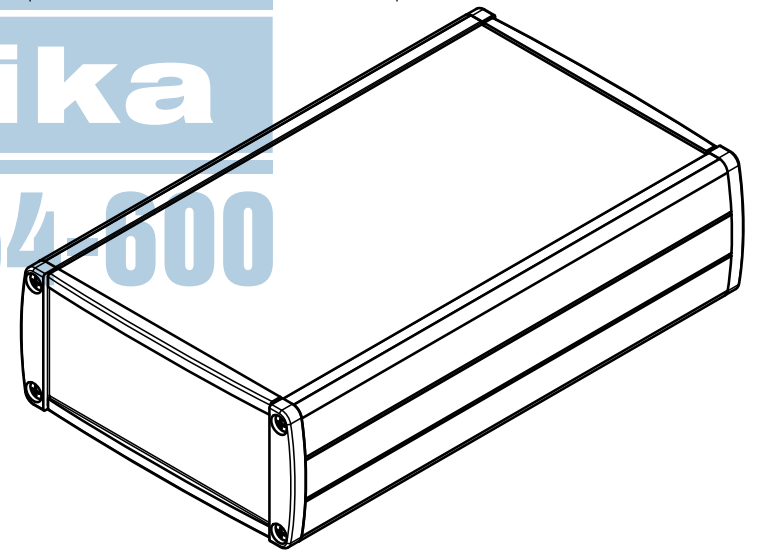
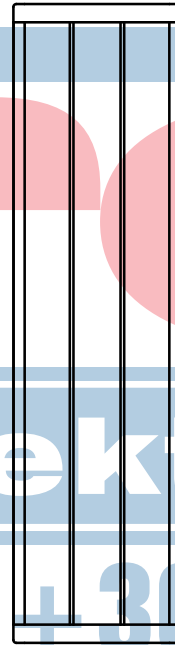
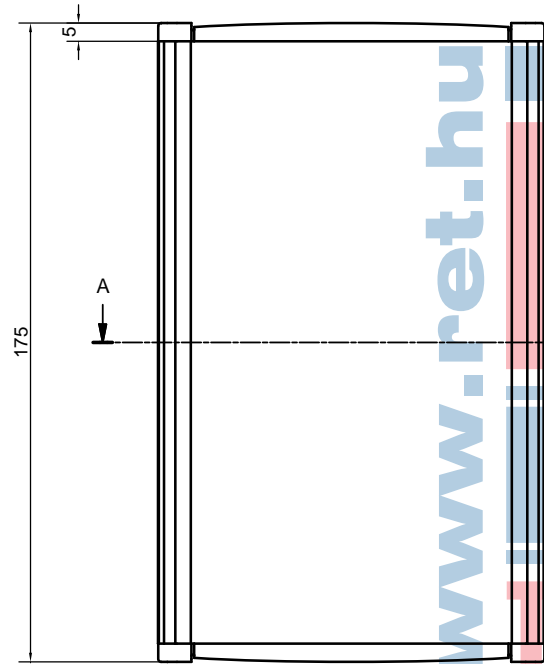
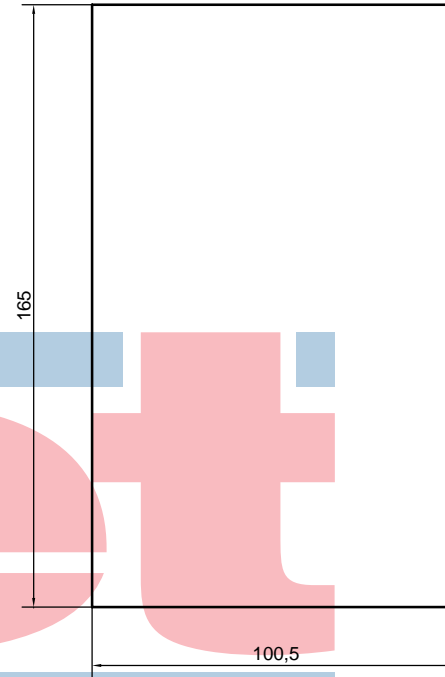
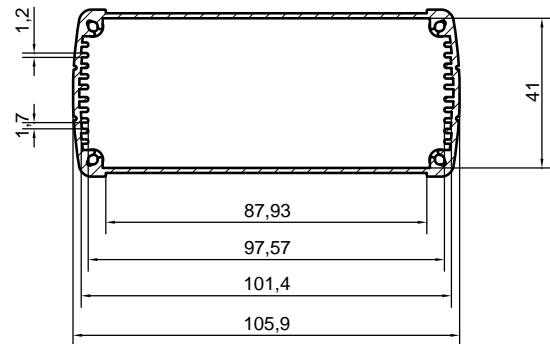


MAXIMUM PCB SIZE



A-A



www.ret.hu  
**ret**  
 elektronika  
 Tel.: +36 62 554 800

	Denomination	Assembly TEKAL-33		Part. Number	TEKAL-33
	Subject to technical modification without prior notice. Tipographical and other errors do not justify any claim for damages. All dimensions should be verified using an actual moulded part.				
	This document contains proprietary information of TEKO S.p.A. and is tendered subject to the conditions that the information be retained in confidence not be reproduced or copied and not be used or incorporated in any product.			Date	27/04/2005
	Scale				1:1
Format design					A2