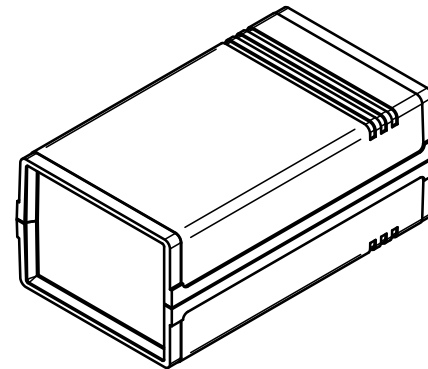



www.ret.hu
Elektronika
Tel.: +36 62 554-600
PCB MAX SIZE



 ENCLOSURES	Assembly 10003 Subject to technical modification without prior notice. Tipographical and other errors do not justify any claim for damages. All dimensions should be verified using an actual moulded part.	Part Number 10003
	<small>This document contains proprietary information TEKO S.p.A. and is intended subject to the conditions that the information be retained in confidence not be reproduced or used and not be used or incorporated in any product.</small>	<small>Rev. Index</small> Date 18/02/2006