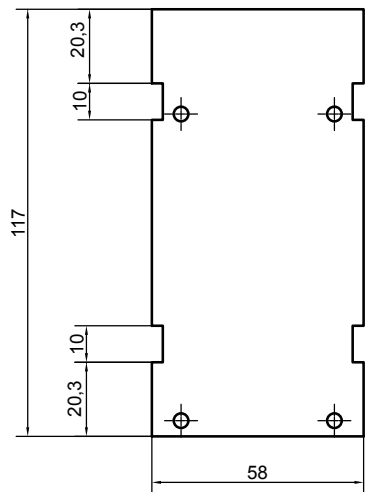
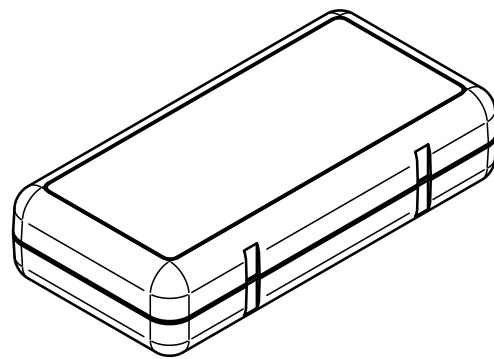


PCB MAX SIZE



www.teko
elektronika
 Tel.: +36 62 554-600



	Denomination	Assembly 10008		Part. Number	10008
	Subject to technical modification without prior notice. Tipographical and other errors do not justify any claim for damages. All dimensions should be verified using an actual moulded part.				
	This document contains proprietary information TEKO S.p.a. and is rendered subject to the conditions that the information be retained in confidence not be reproduced or copied and not be used or incorporated in any product.				Rev. Index Date 24/11/2005
					Scale Format design A2