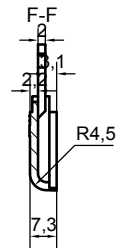
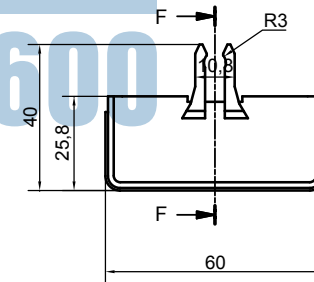
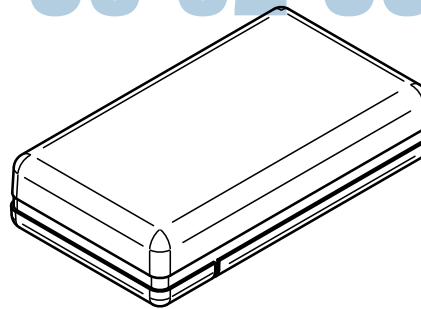
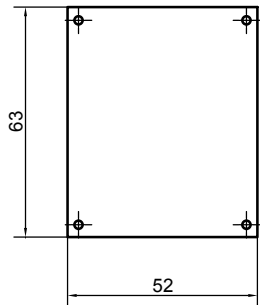


PCB MAX SIZE



www.rel.hu
elektronika
 Tel.: +36 62 554-600

	Denomination	Assembly 10009-B		Part. Number	10009-B
	Subject to technical modification without prior notice. Tipographical and other errors do not justify any claim for damages. All dimensions should be verified using an actual moulded part.				
	This document contains proprietary information TEKO S.p.a. and is rendered subject to the conditions that the information be retained in confidence not be reproduced or copied and not be used or incorporated in any product.				
	Date	23/11/2005	Rev. Index	Scale	Format design
					A2