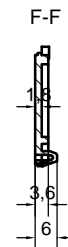
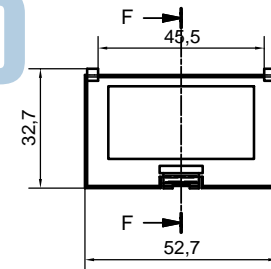
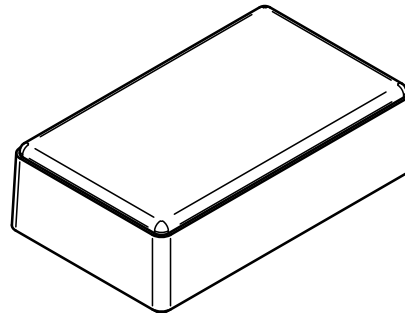
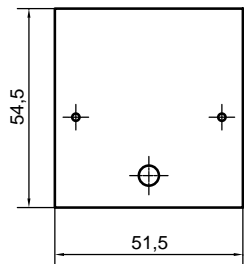


PCB MAX SIZE



www.teko.hu
TEKO
 elektronika
 Tel.: +36 62 554-600

	Denomination	Assembly 10012-B		Part Number	10012-B
	Subject to technical modification without prior notice. Tipographical and other errors do not justify any claim for damages. All dimensions should be verified using an actual moulded part.				
	This document contains proprietary information TEKO S.p.a. and is tendered subject to the conditions that the information be retained in confidence not be reproduced or copied and not be used or incorporated in any product.				Rev. Index Date 24/11/2005
					Scale Format design A2