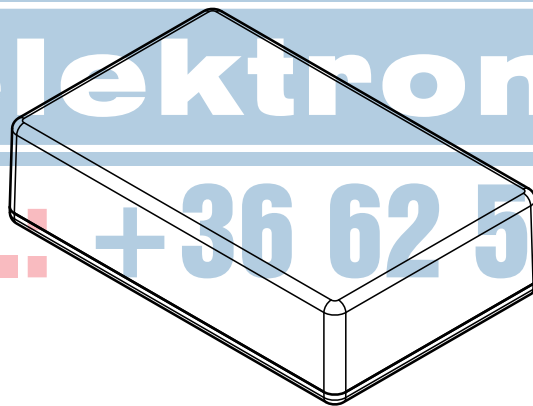
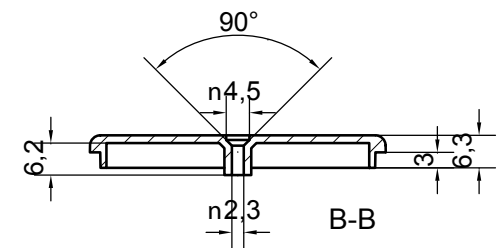
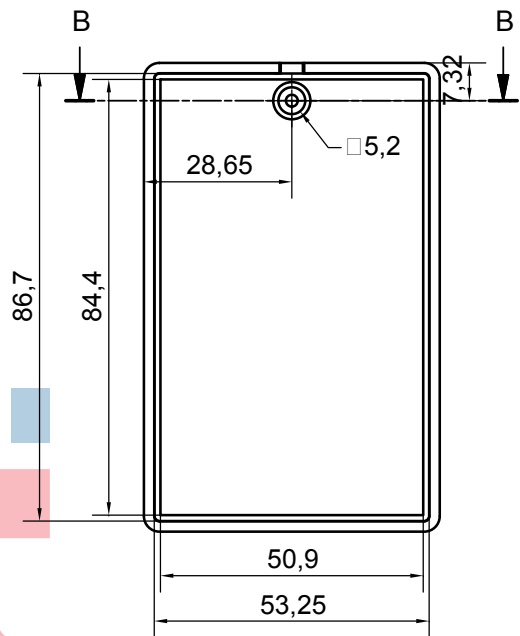
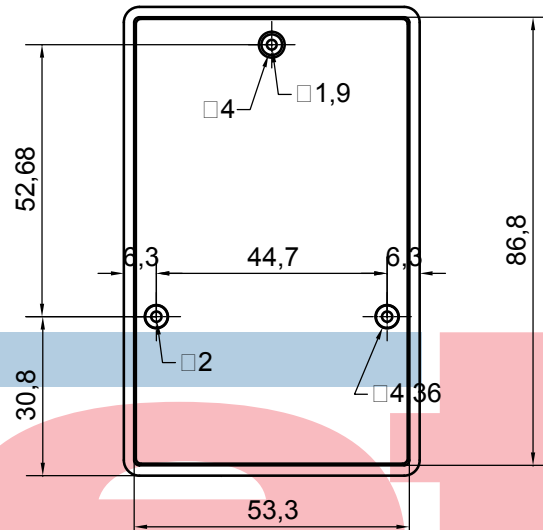
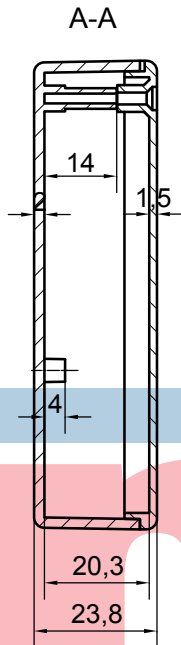
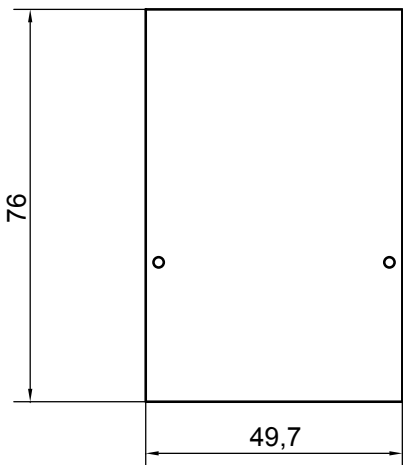


PCB MAX SIZE



www.ret.hu

elektronika  
Tel.: +36 62 554-600

	Denomination	Part. Number	
	<b>Assembly 10016</b>		<b>10016</b>
	Subject to technical modification without prior notice. Tipographical and other errors do not justify any claim for damages. All dimensions should be verified using an actual moulded part.		Rev. Index
	This document contains proprietary information <b>TEKO S.p.a.</b> and is tendered subject to the conditions that the information be retained in confidence not be reproduced or copied and not be used or incorporated in any product.		Date <b>28/09/2005</b>
		Scale	Format design
			<b>A3</b>