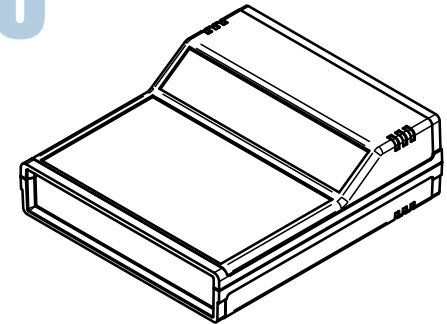
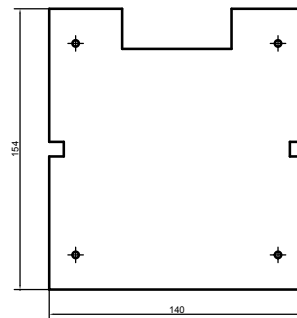



PCB MAX SIZE



www.retinu
 elektrotehnika
 Tel. +386 62 554-600

	Assembly 242-B <small>Subject to technical modification without prior notice. Typographical and other errors do not justify any claim for damages. All dimensions should be verified using an actual moulded part.</small>	242-B <small>Part No. Rev. Iss. Date</small>
	<small>ENCL002000</small>	<small>21/02/2006</small>