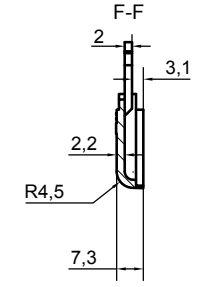
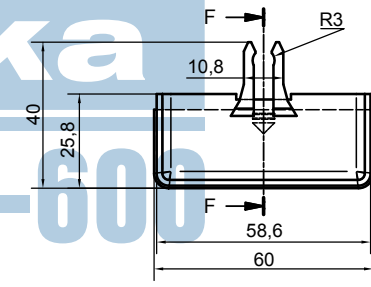
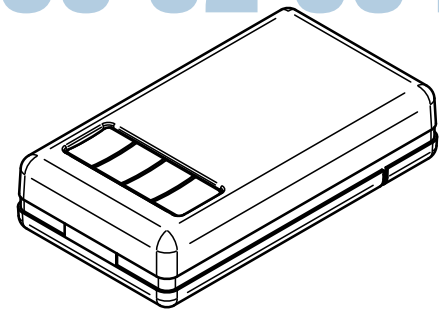
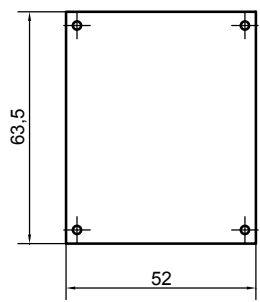


www.rete.hu  
**elektronika**  
 Tel.: +36 62 554-8000

PCB MAX SIZE



	Denomination	Assembly RC124		Part. Number	RC124
	Subject to technical modification without prior notice. Tipographical and other errors do not justify any claim for damages. All dimensions should be verified using an actual moulded part.				
	This document contains proprietary information TEKO S.p.a. and is tendered subject to the conditions that the information be retained in confidence not be reproduced or copied and not be used or incorporated in any product.				
	Date	23/11/2005	Rev. Index	Scale	Format design