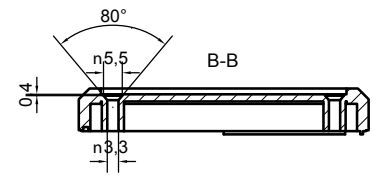
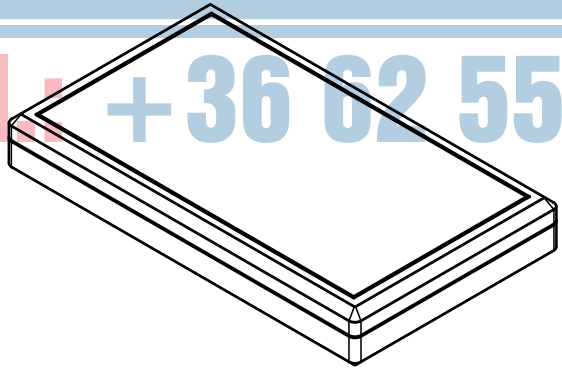


www.ret.hu

elektronika

Tel: +36 62 554-600



	Denomination	Assembly 550F		Part Number	550F
	Subject to technical modification without prior notice. Tipographical and other errors do not justify any claim for damages. All dimensions should be verified using an actual moulded part.				
	This document contains proprietary information TEKO S.p.a. and is tendered subject to the conditions that the information be retained in confidence not be reproduced or copied and not be used or incorporated in any product.			Rev. Index	Scale
	Date	06/10/2005	Format design	A2	