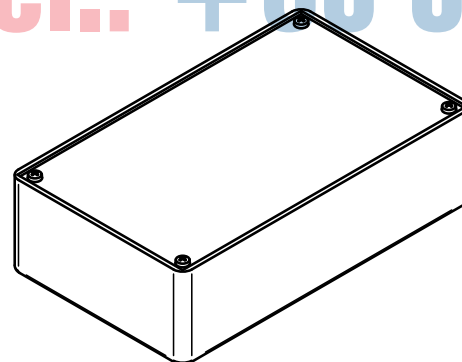
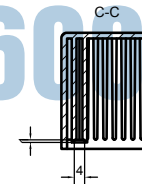


PCB MAX SIZE



www.ret.hu
ret
 elektronika
 Tel.: +36 62 554-6000

 ENCLOSURES	Assembly COFFER-A/7		Part Number COFFER-A/7
	Subject to technical modification without prior notice. Tipographical and other errors do not justify any claim for damages. All dimensions should be verified using an actual moulded part.		
This document contains proprietary information TEKO S.p.A. and is rendered subject to the conditions that the information be retained in confidence not be reproduced or used and not be used or incorporated in any product.		Date 14/12/2005	Formal design A1