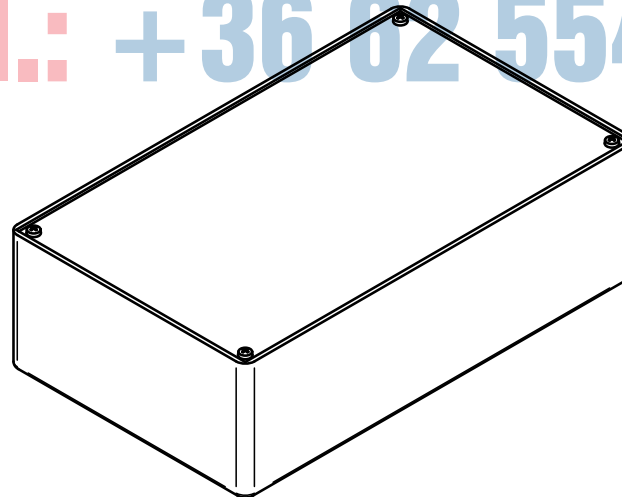
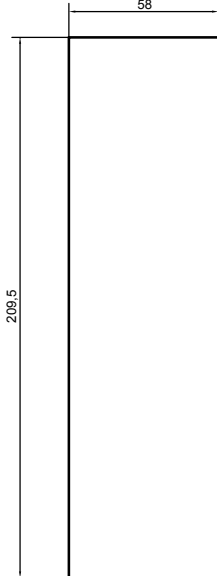


PCB MAX SIZE
58



www.ret.hu

elektronika

Tel.: +36 82 554-600

	Assembly COFFER-A/8 <small>Subject to technical modification without prior notice. Tipographical and other errors do not justify any claim for damages. All dimensions should be verified using an actual moulded part.</small>	COFFER-A/8
	<small>This document contains proprietary information TEKO S.p.A. and is rendered subject to the conditions that the information be retained in confidence not be reproduced or used and not be used or incorporated in any product.</small>	<small>Rev. Index</small> Date: 14/12/2005 <small>Formal design</small> A1